

D

D

C

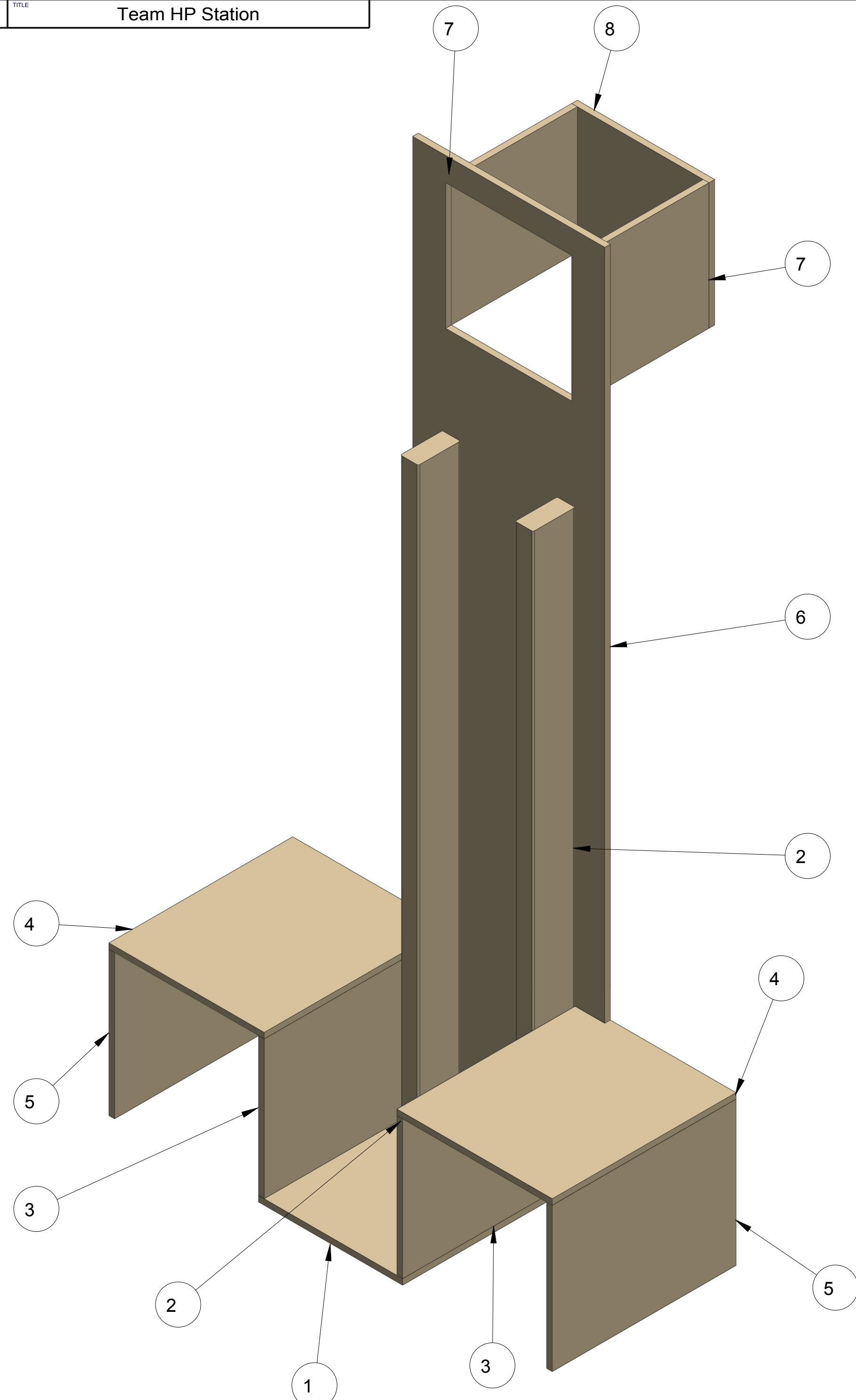
C

B

B

A

A



ITEM NO	PART NUMBER	QTY	DESCRIPTION	NOTES
1	TE-16003-01	1	TE-16003-01	1/2" Plywood
2	TE-16003-02	2	TE-16003-02	2x4 Lumber
3	TE-16003-03	2	TE-16003-03	1/2" Plywood
4	TE-16003-04	2	TE-16003-01	1/2" Plywood
5	TE-16003-05	2	TE-16003-03	1/2" Plywood
6	TE-16003-06	1	TE-16003-06	1/2" Plywood
7	TE-16003-07	2	TE-16003-07	1/2" Plywood
8	TE-16003-08	1	TE-16003-08	1/2" Plywood

		DRAWN BY	DATE
		CHECKED BY	DATE
<small>THIS DOCUMENT IS SUPPLIED IN CONFIDENCE. NO REPRODUCTION OF THIS DOCUMENT IN PART OR IN WHOLE OR THEREON OF THE ITEMS SHOWN MAY BE MADE WITHOUT THE COPYRIGHT OWNERS WRITTEN PERMISSION</small>		APPROVED BY	DATE
<small>UNLESS OTHERWISE SPECIFIED ALL DIMENSIONS ARE IN INCHES. TOLERANCES ARE: .XX ±0.1 .XXX ±0.01 X.XXX ±0.001 ANG ±1°</small>		SCALE 3:16	SHEET 1 OF 4
TITLE: Team HP Station			
PROJECT:		MODEL NAME: TE-16003	ISSUE:
DO NOT SCALE			

1

2

3

4

MODEL NAME
TE-16003

TITLE

Team HP Station

1

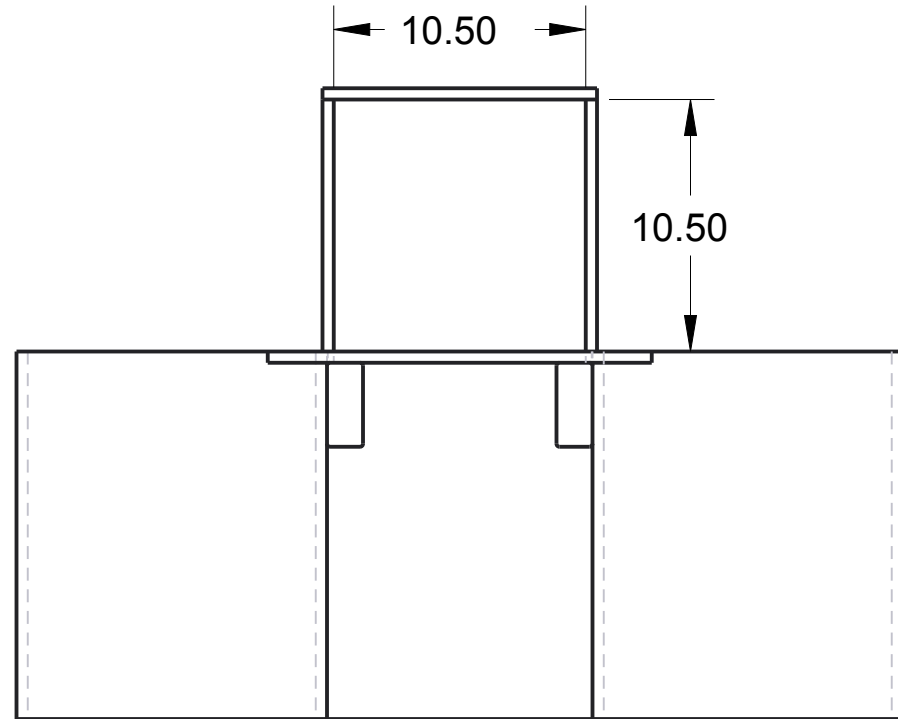
2

3

4

D

D

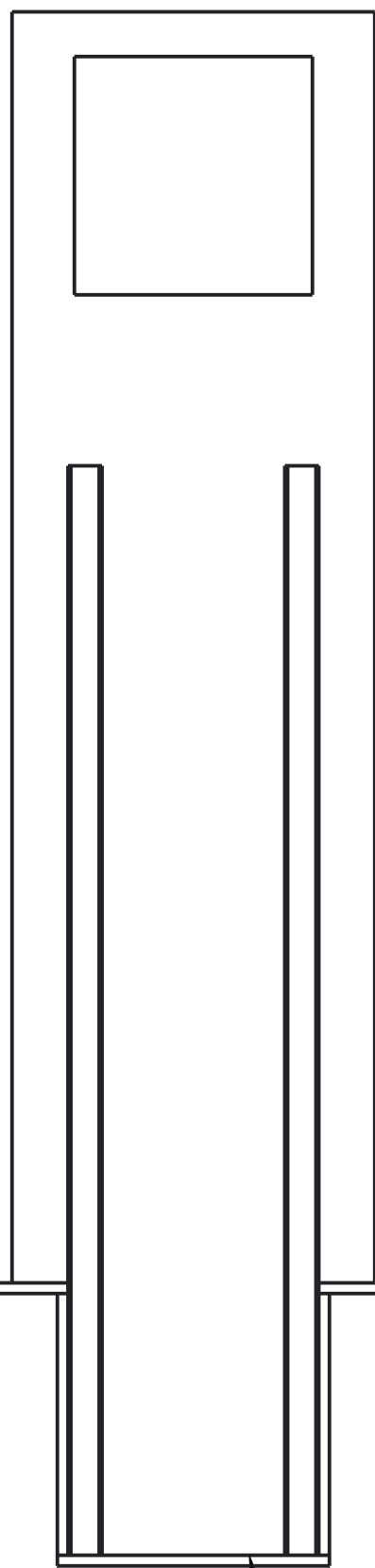


NOTE

Secure components using wood screws or staples, and wood glue.

C

C



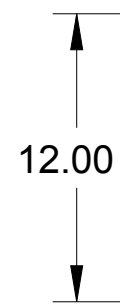
B

B

56.00

A

A



12.00

12.00

12.00

15.31

NOTE: Add weight or sand bag in this gap to help from tipping.

	DRAWN BY	DATE
	CHECKED BY	DATE
<small>THIS DOCUMENT IS SUPPLIED IN CONFIDENCE. NO REPRODUCTION OF THIS DOCUMENT IN PART OR IN WHOLE OR THEREON OF THE ITEMS SHOWN MAY BE MADE WITHOUT THE COPYRIGHT OWNERS WRITTEN PERMISSION</small>	APPROVED BY	DATE
	SCALE 1:8	SHEET 2 OF 4
TITLE Team HP Station		
PROJECT	MODEL NAME TE-16003	ISSUE

UNLESS OTHERWISE SPECIFIED ALL DIMENSIONS ARE IN INCHES.
 TOLERANCES ARE:
 .XX ±0.1
 .XXX ±0.01
 X.XXX ±0.001
 ANG ±1

DO NOT SCALE

1

2

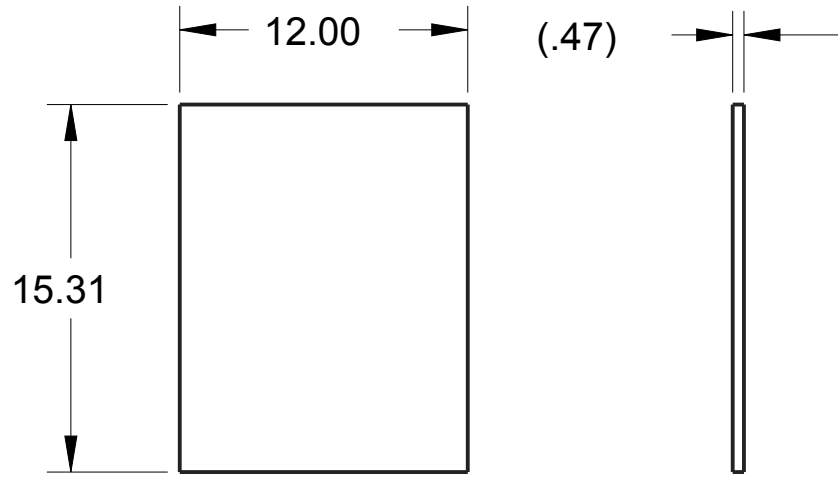
3

4

MODEL NAME
TE-16003

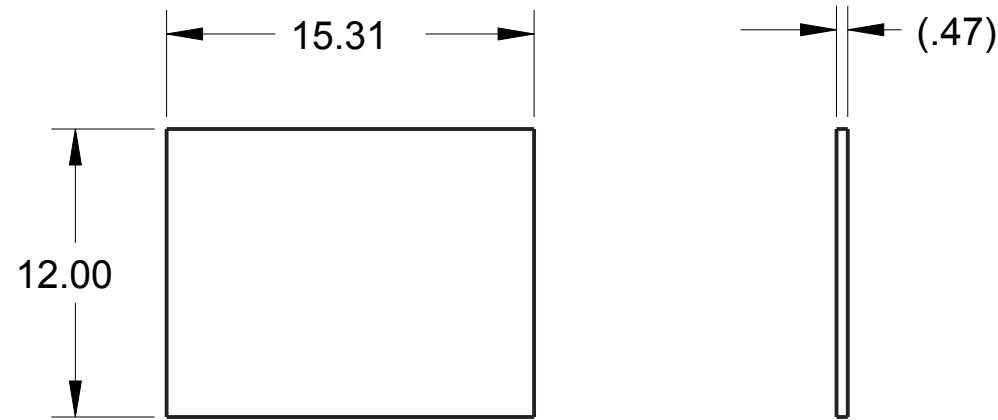
TITLE
Team HP Station

D



NOTE
 Part: TE-16003-01
 Material: 1/2" Plywood (15/32")
 Qty: 1
 Scale: 1:8

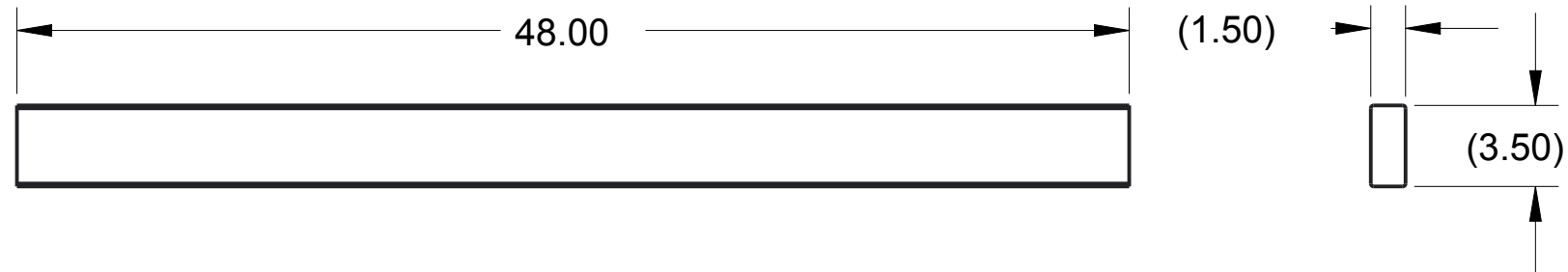
3



NOTE
 Part: TE-16003-05
 Material: 1/2" Plywood (15/32")
 Qty: 2
 Scale: 1:8

D

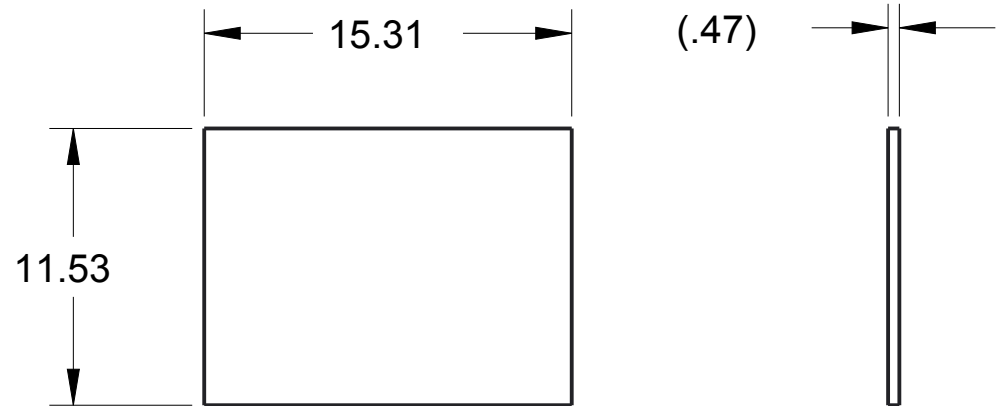
C



NOTE
 Part: TE-16003-02
 Material: 2x4 Lumber
 Qty: 2
 Scale: 1:8

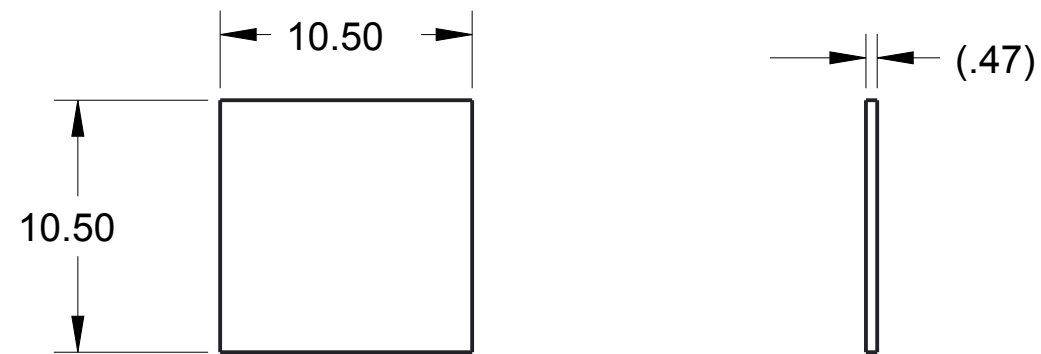
C

B



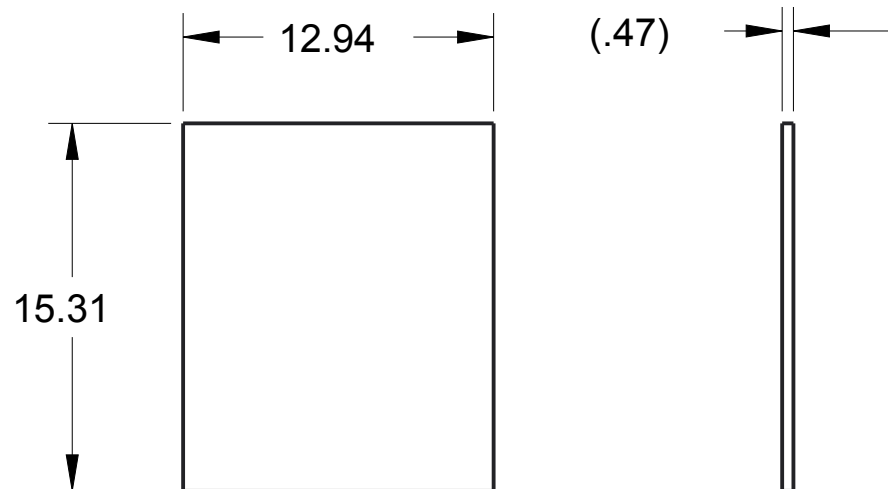
NOTE
 Part: TE-16003-03
 Material: 1/2" Plywood (15/32")
 Qty: 2
 Scale: 1:8

B



NOTE
 Part: TE-16003-07
 Material: 1/2" Plywood (15/32")
 Qty: 2
 Scale: 1:8

A



NOTE
 Part: TE-16003-04
 Material: 1/2" Plywood (15/32")
 Qty: 2
 Scale: 1:8

A

		DRAWN BY	DATE
		CHECKED BY	DATE
<small>THIS DOCUMENT IS SUPPLIED IN CONFIDENCE. NO REPRODUCTION OF THIS DOCUMENT IN PART OR IN WHOLE OR THEREON OF THE ITEMS SHOWN MAY BE MADE WITHOUT THE COPYRIGHT OWNERS WRITTEN PERMISSION</small>		APPROVED BY	DATE
<small>UNLESS OTHERWISE SPECIFIED ALL DIMENSIONS ARE IN INCHES. TOLERANCES ARE: .XX ±0.1 .XXX ±0.01 X.XXX ±0.001 ANG ±.1</small>		SCALE 3:16	SHEET 3 OF 4
DO NOT SCALE		TITLE Team HP Station	
		PROJECT	MODEL NAME TE-16003
		ISSUE	

1

2

3

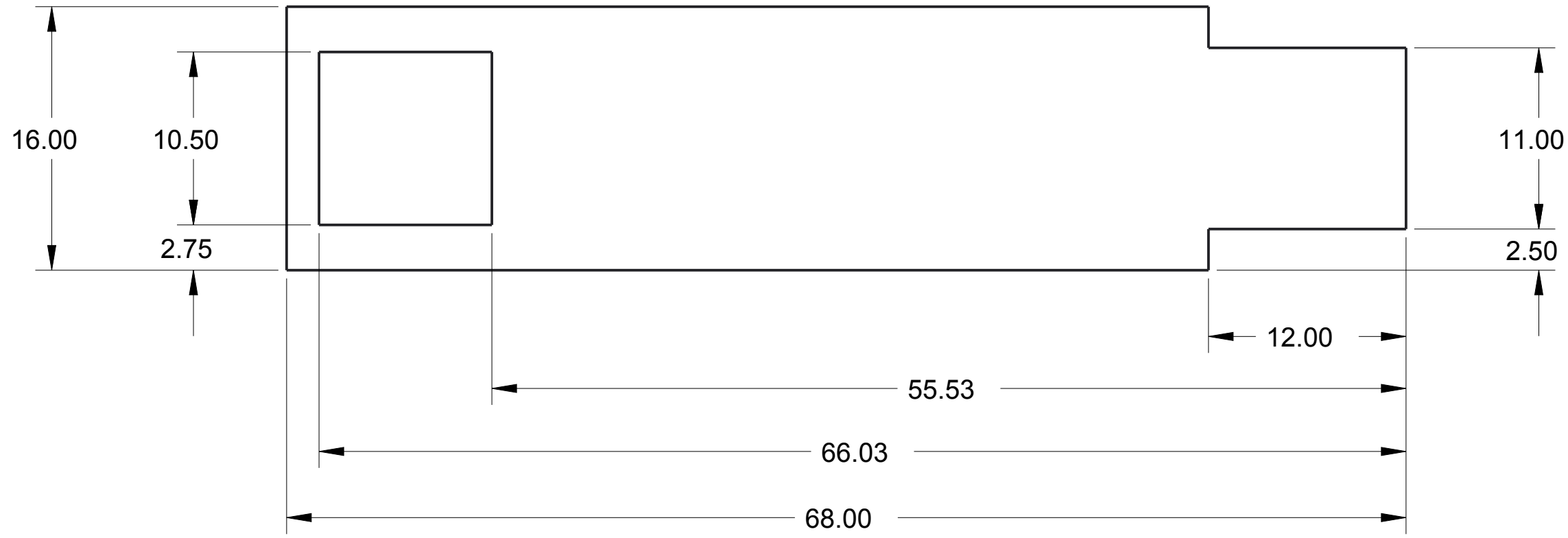
4

MODEL NAME
TE-16003

TITLE
Team HP Station

D

D



C

C

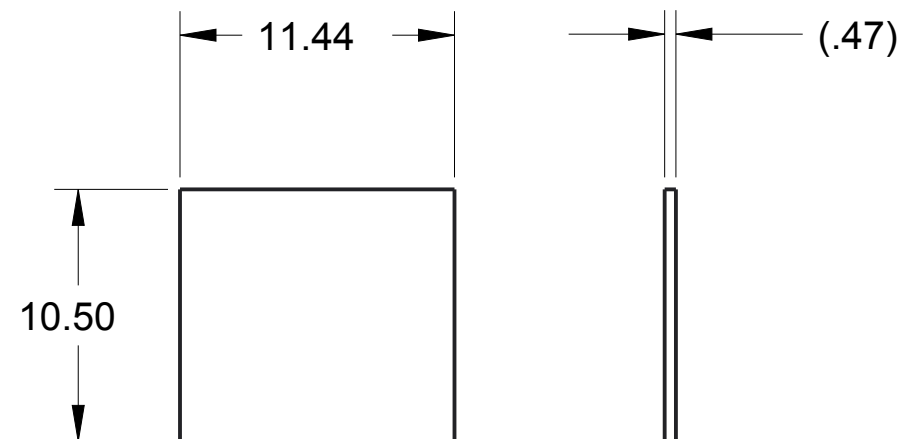
NOTE

Part: TE-16003-06
 Material: 1/2" Plywood (15/32")
 Qty: 2
 Scale: 1:8

(.47)

B

B



NOTE

Part: TE-16003-08
 Material: 1/2" Plywood (15/32")
 Qty: 1
 Scale: 1:8

A

A

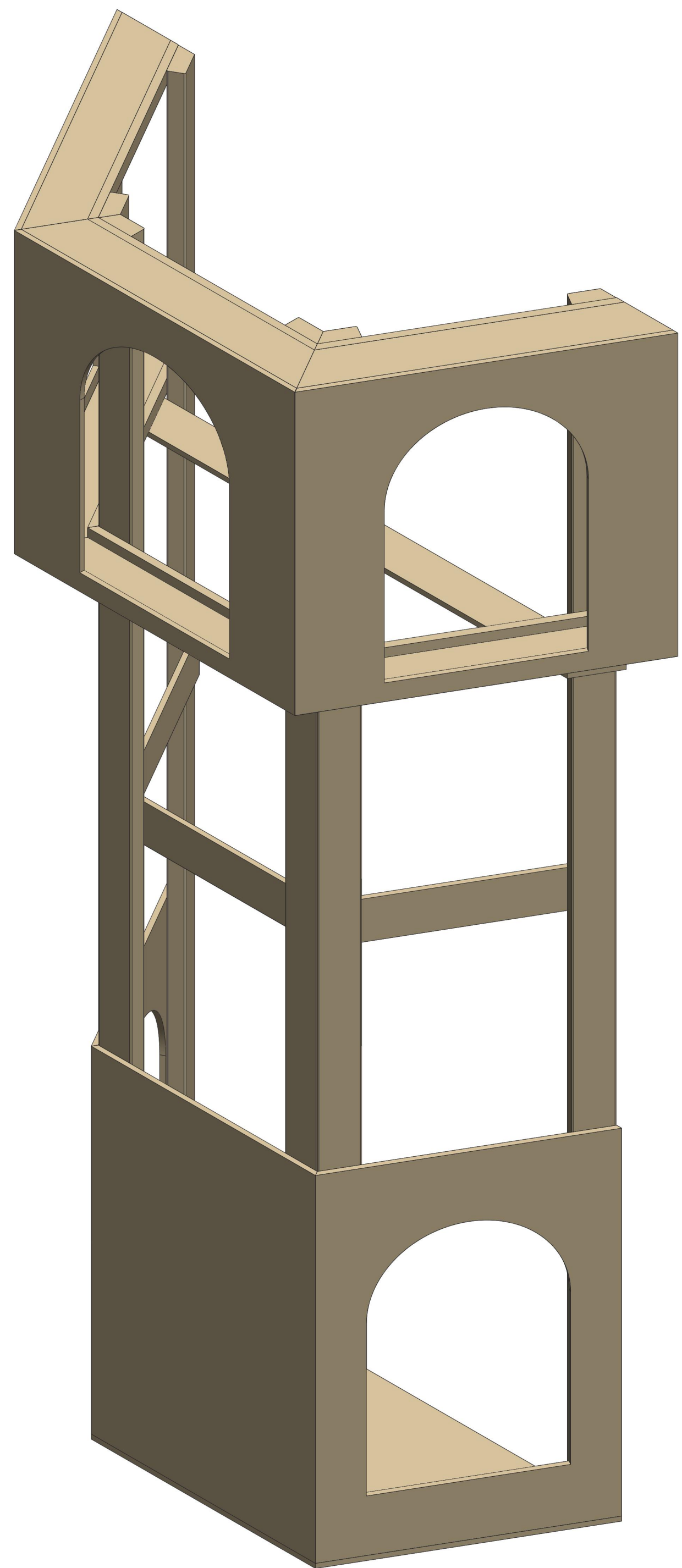
		DRAWN BY	DATE
		CHECKED BY	DATE
		APPROVED BY	DATE
<small>THIS DOCUMENT IS SUPPLIED IN CONFIDENCE. NO REPRODUCTION OF THIS DOCUMENT IN PART OR IN WHOLE OR THEREON OF THE ITEMS SHOWN MAY BE MADE WITHOUT THE COPYRIGHT OWNERS WRITTEN PERMISSION</small>		SCALE 3:16	SHEET 4 OF 4
TITLE Team HP Station			
PROJECT		MODEL NAME TE-16003	ISSUE
DO NOT SCALE			

1

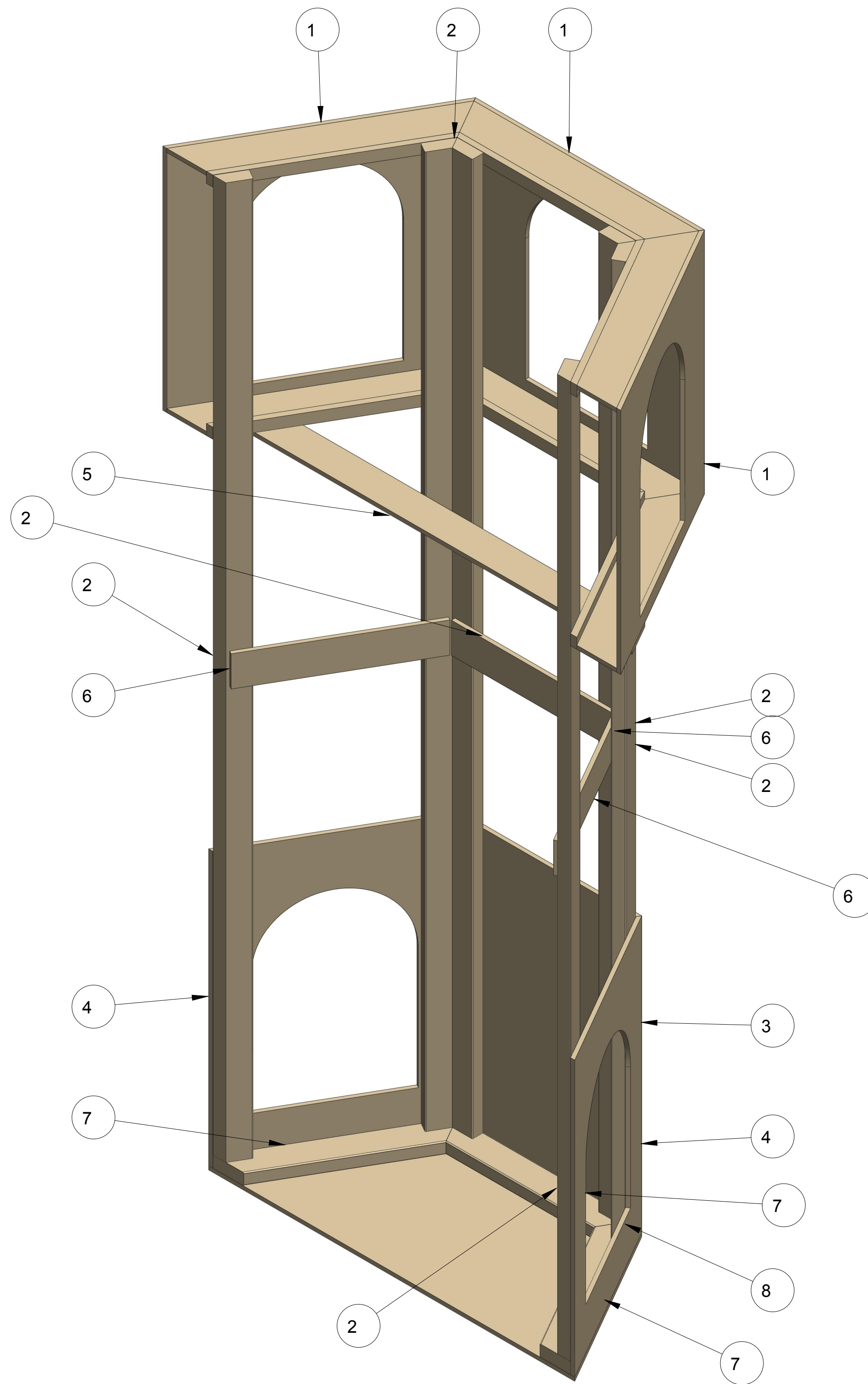
2

3

4



FRONT ISO VIEW



BACK ISO VIEW

ITEM NO	PART NUMBER	QTY	DESCRIPTION	NOTES
1	TE-16004-01	3	TE-16004-01	Multiple
2	TE-16004-02	6	TE-16004-02	2x4 Lumber
3	TE-16004-03	1	TE-16004-03	1/2" Plywood
4	TE-16004-04	2	TE-16004-03	1/2" Plywood
5	TE-16004-08	1	TE-16004-08	1/2" Plywood
6	TE-16004-09	3	TE-16004-09	1/2" Plywood
7	TE-16004-10	3	TE-16004-10	2x4 Lumber
8	TE-16004-11	1	TE-16004-11	1/2" Plywood

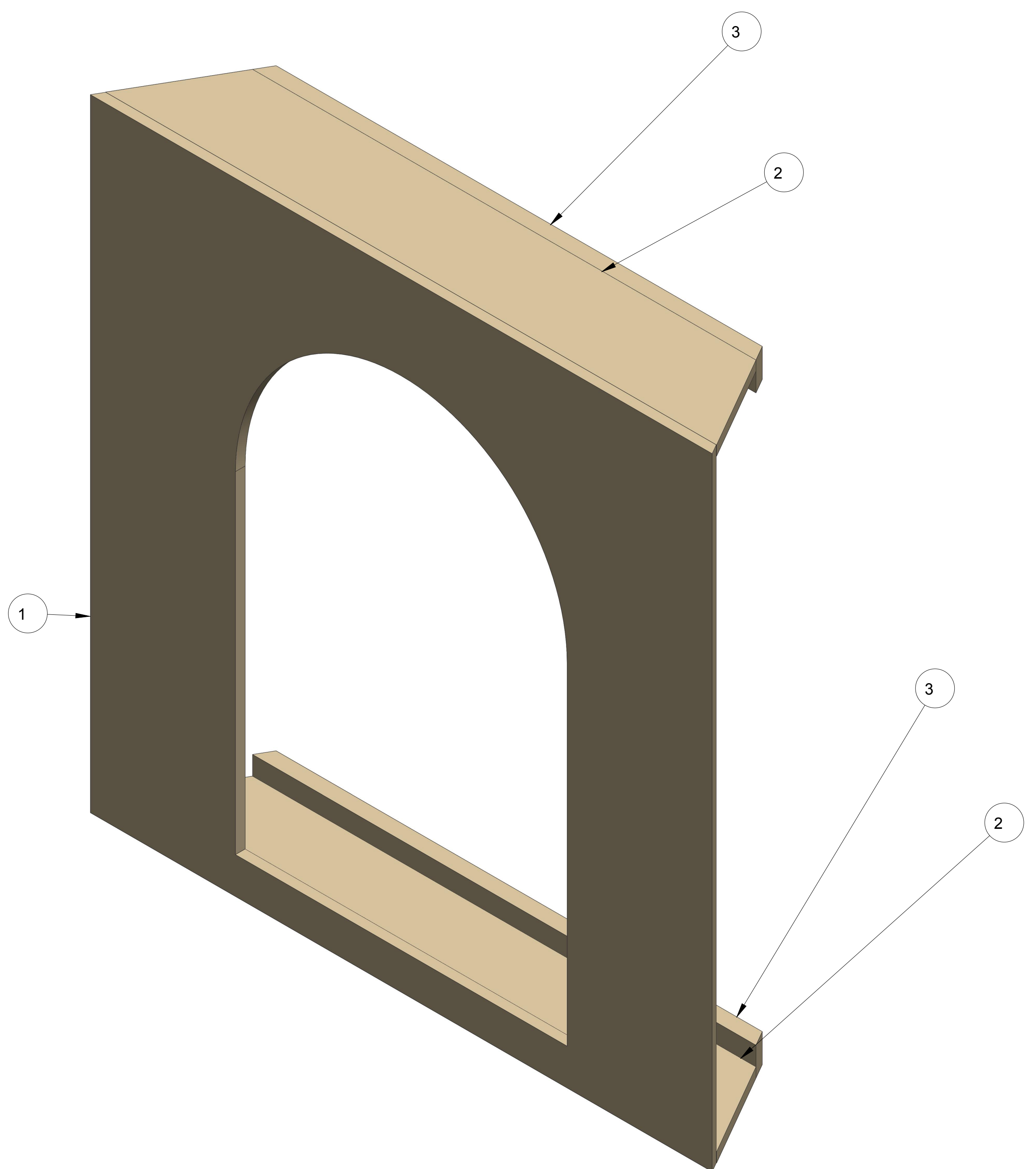
	DRAWN BY	DATE
	CHECKED BY	DATE
	APPROVED BY	DATE
	SCALE 1:8 SHEET 1 OF 6	
TITLE: Team Tower		
PROJECT:		MODEL NAME: TE-16004
ISSUE:		ISSUE:

UNLESS OTHERWISE SPECIFIED ALL DIMENSIONS ARE IN INCHES.
 TOLERANCES ARE:
 XXX +/- 0.1
 XXXX +/- 0.01
 ANG +/- 1
 DO NOT SCALE

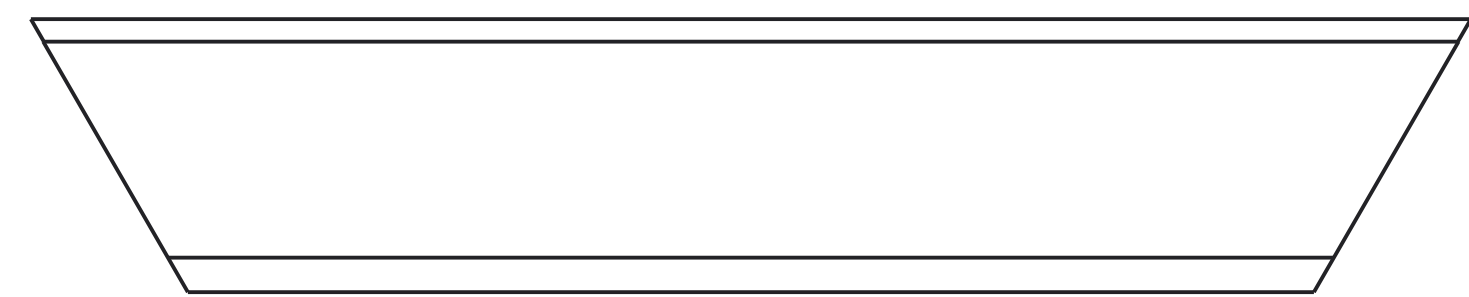
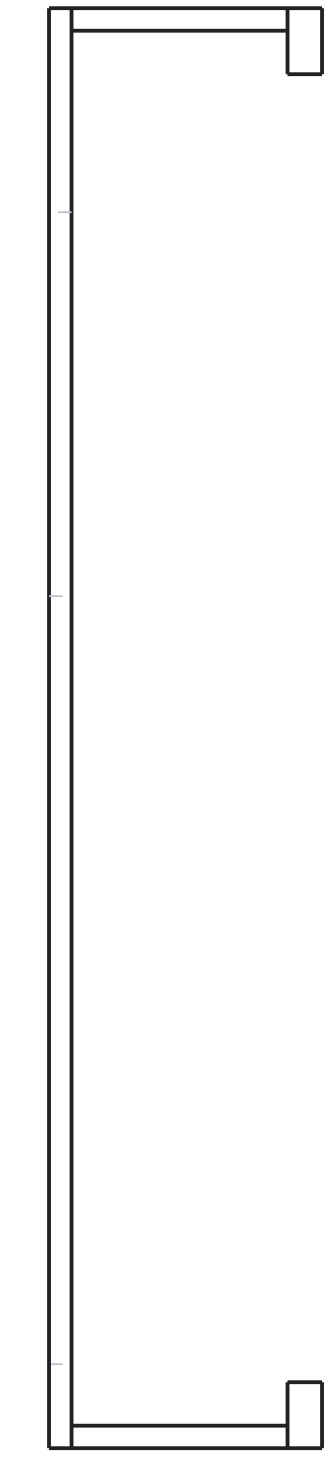
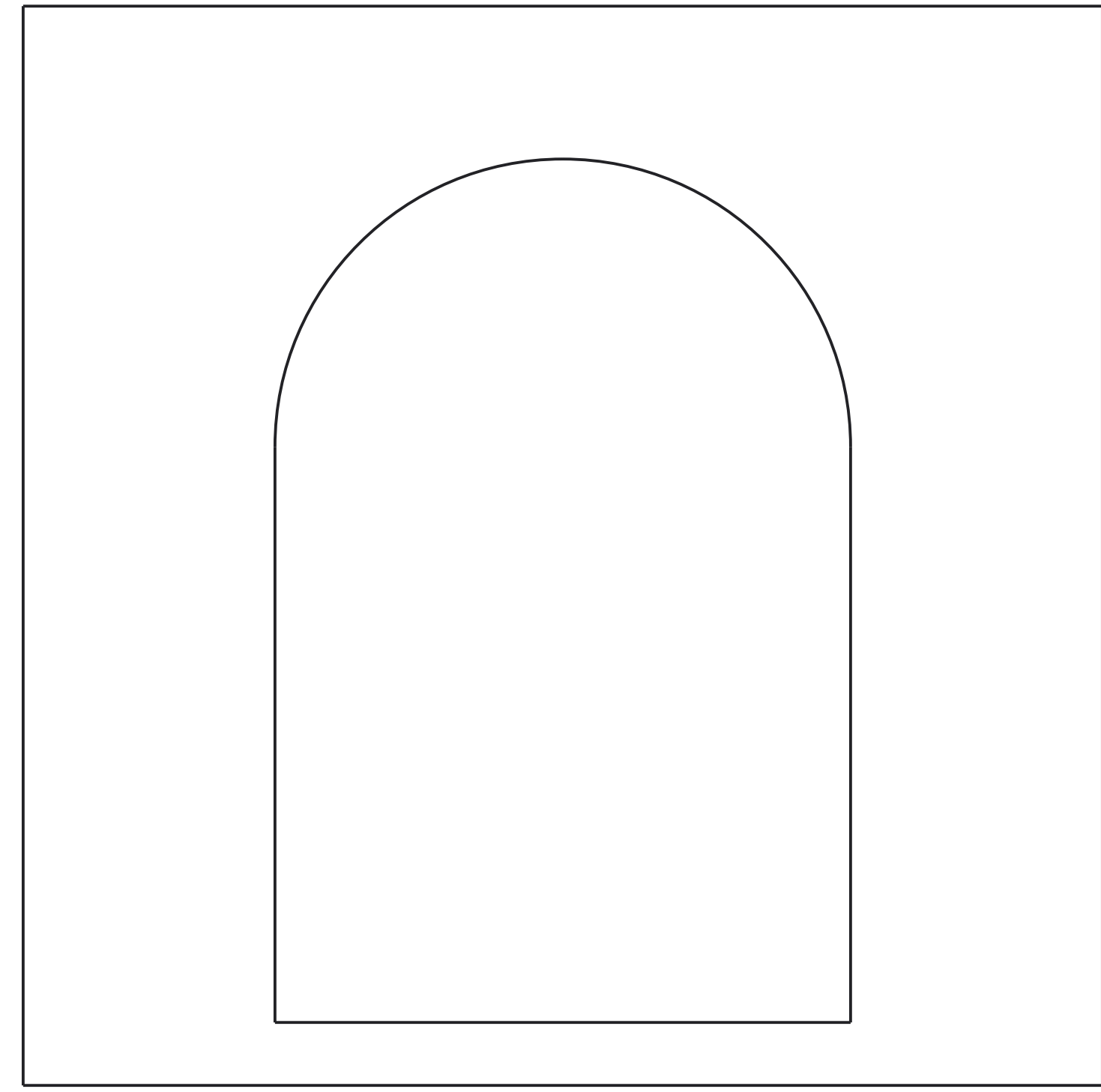
1 2 3 4 5 6 7 8

E
D
C
B
A

E
D
C
B
A



Secure with screws, staples or nails and wood glue.



ITEM NO	PART NUMBER	QTY	DESCRIPTION	NOTES
1	TE-16004-05	1	TE-16004-03	1/2" Plywood
2	TE-16004-06	2	TE-16004-06	1/2" Plywood
3	TE-16004-07	2	Te-16004-07	3/4" Plywood

<p>UNLESS OTHERWISE SPECIFIED ALL DIMENSIONS ARE IN INCHES. TOLERANCES ARE: XXX +/- 0.1 XXX +/- 0.01 XXX +/- 0.001 ANG +/- 1</p> <p>DO NOT SCALE</p>		DRAWN BY	DATE
		CHECKED BY	DATE
		APPROVED BY	DATE
	<p>TITLE: Team Tower</p> <p>PROJECT: _____</p> <p>MODEL NAME: TE-16004</p> <p>ISSUE: _____</p>		SCALE 1:8

1 2 3 4 5 6 7 8

MODEL NAME
TE-16004

TITLE
Team Tower

1

2

3

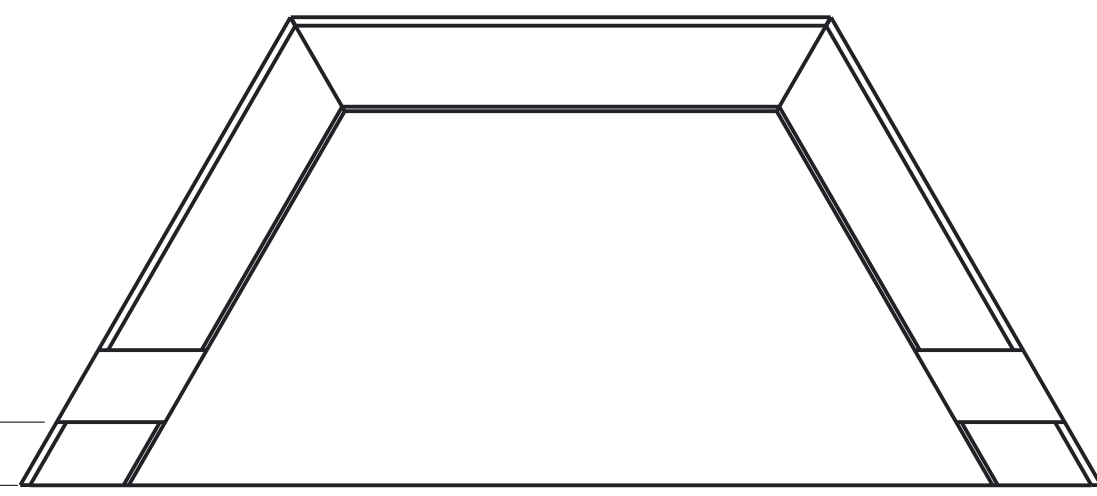
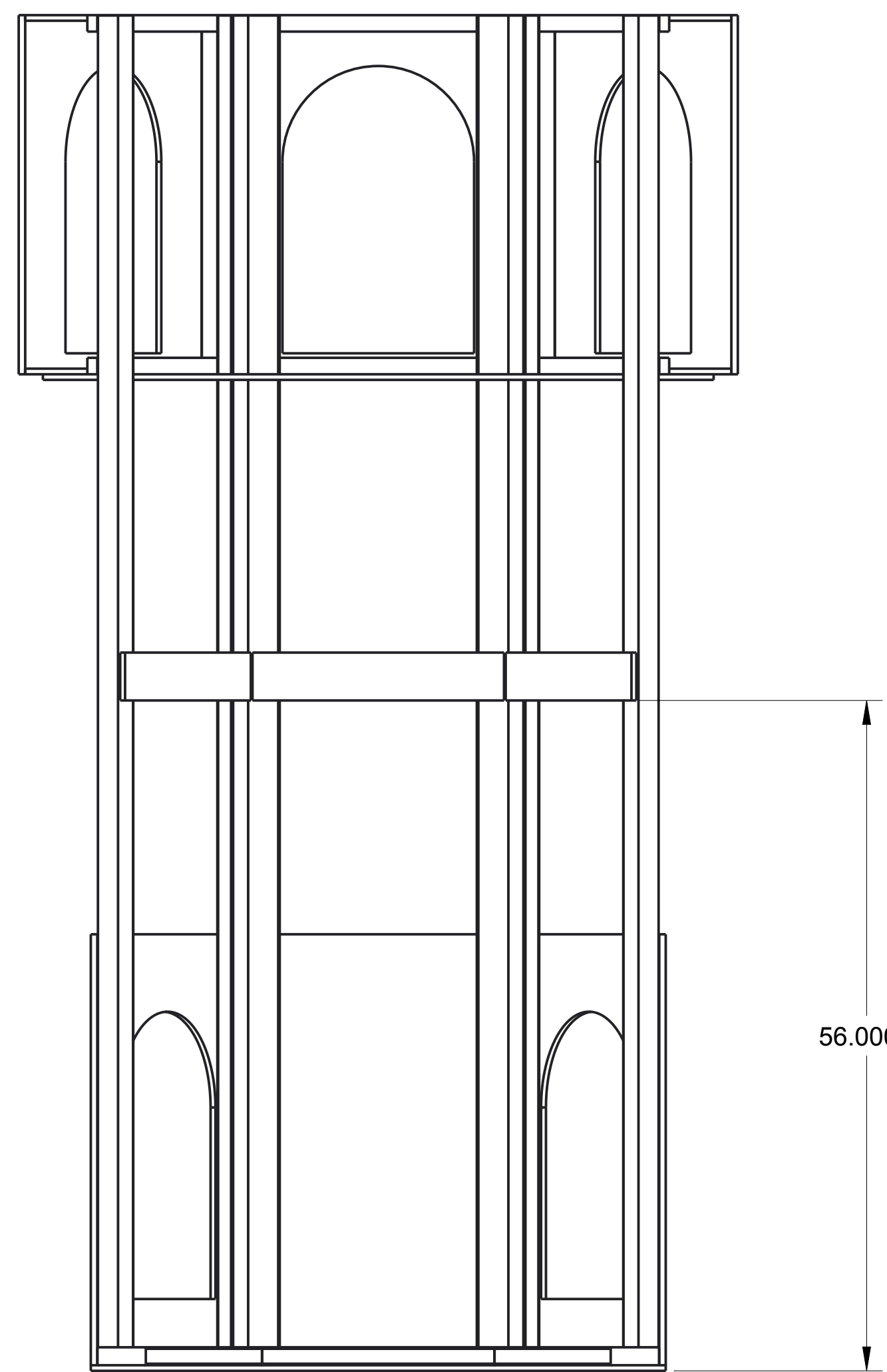
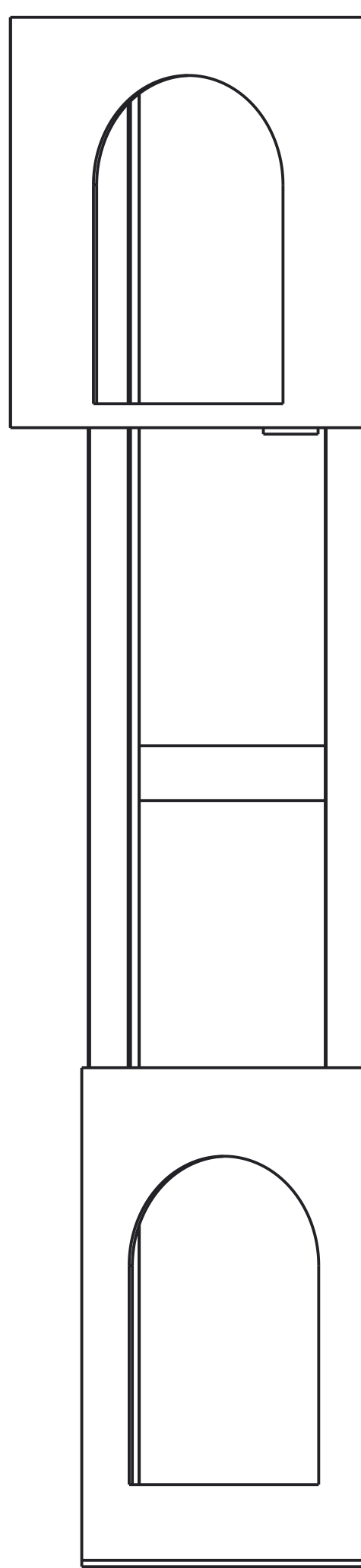
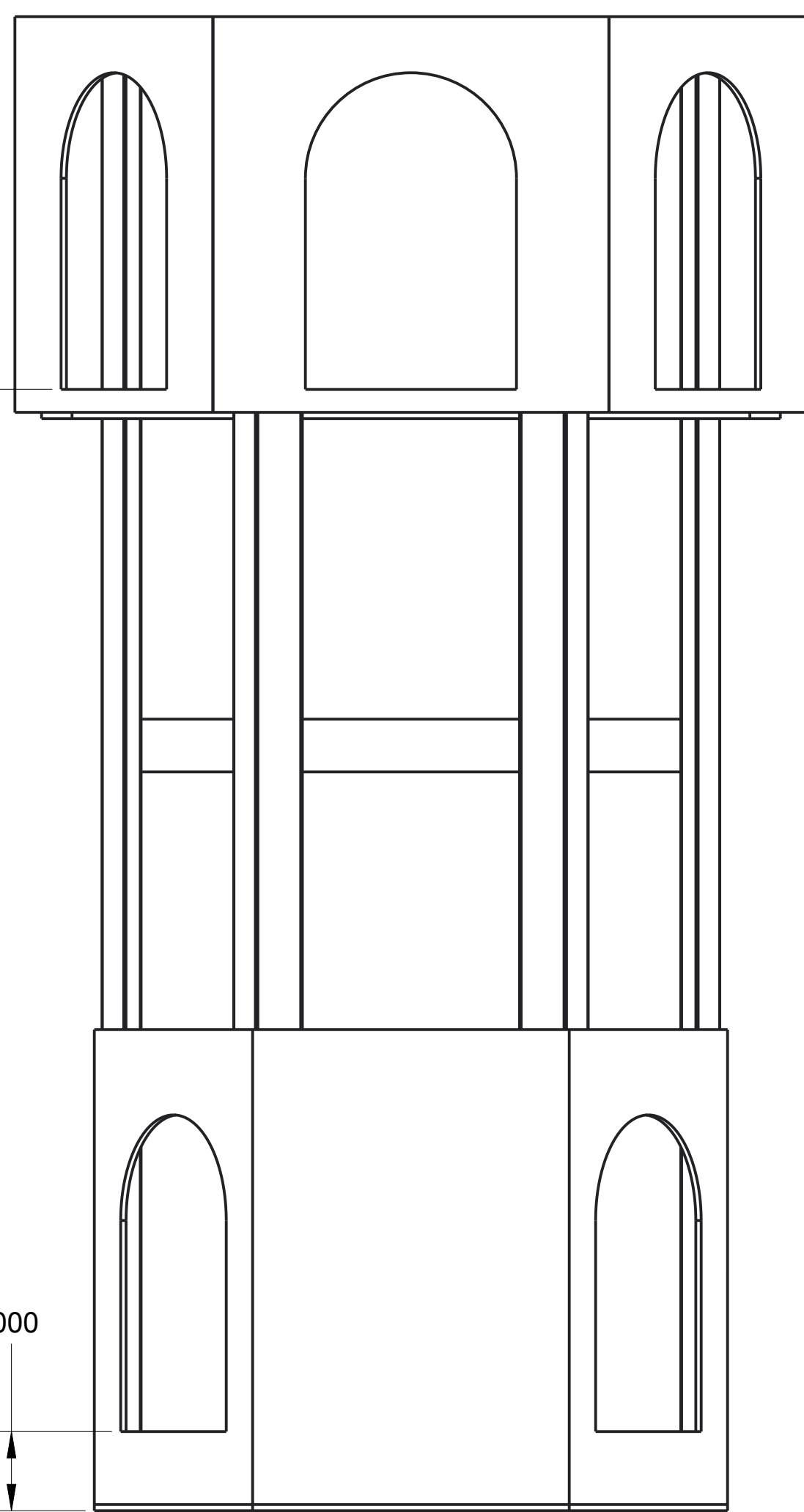
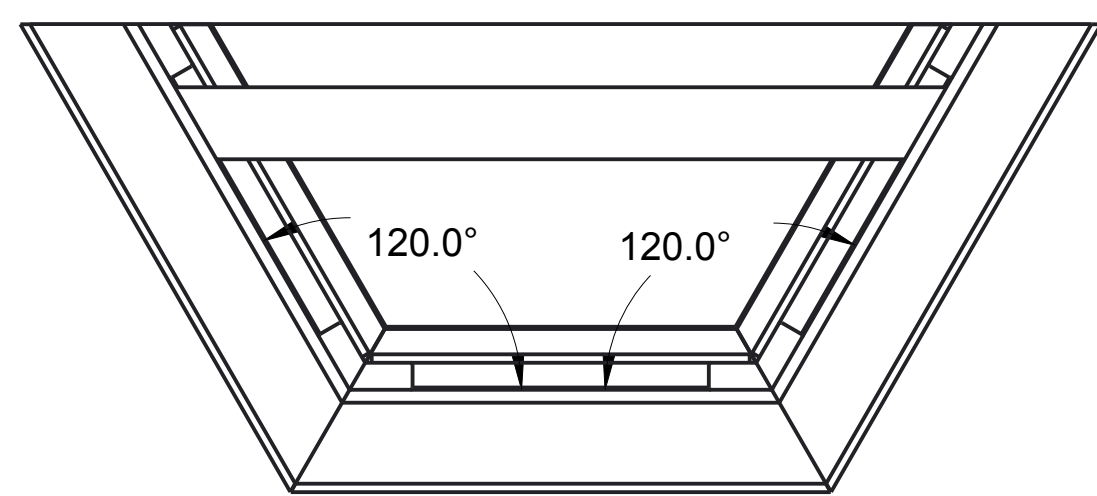
4

5

6

7

8



UNLESS OTHERWISE SPECIFIED ALL DIMENSIONS ARE IN INCHES.
TOLERANCES ARE:
XXX ± 0.1
XX ± 0.01
X ± 0.001
ANG ± 1
DO NOT SCALE



TITLE
Team Tower

PROJECT

DRAWN BY	DATE
CHECKED BY	DATE
APPROVED BY	DATE
SCALE 1:8	SHEET 3 OF 6
MODEL NAME TE-16004	ISSUE

1

2

3

4

5

6

7

8

E

D

C

B

A

E

D

C

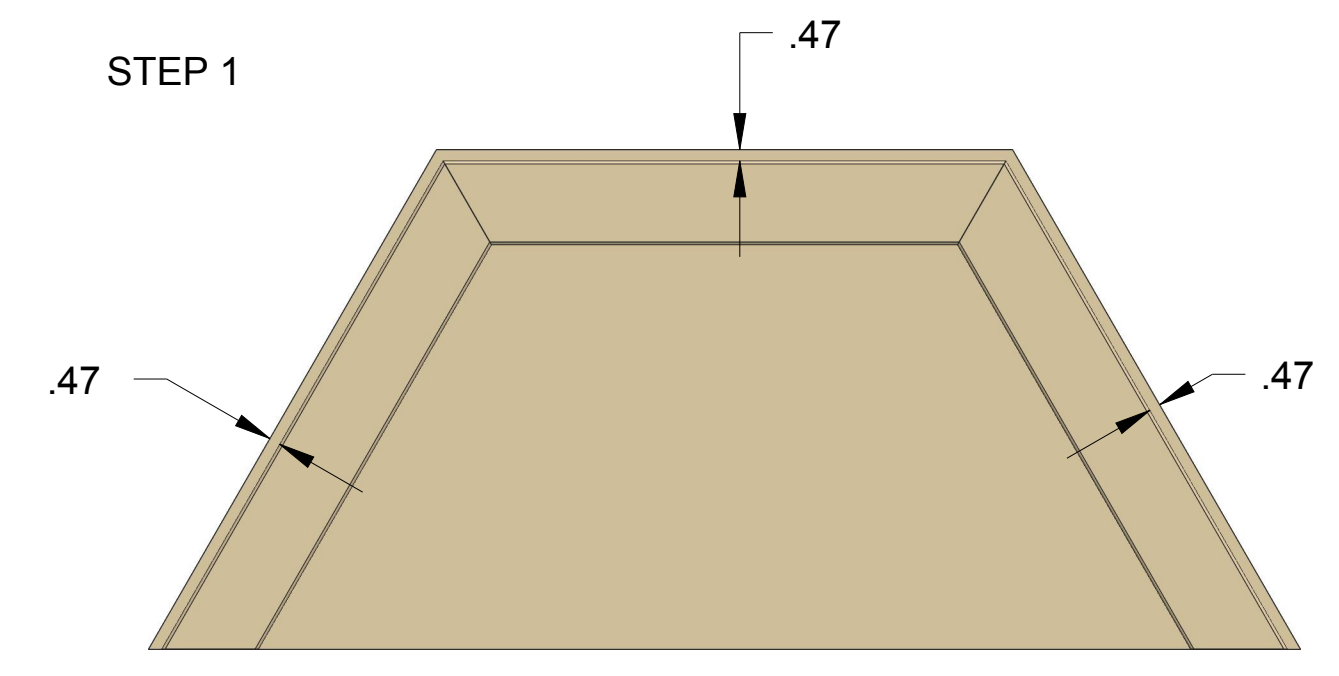
B

A

1 2 3 4 5 6 7 8

MODEL NAME: TE-16004 TITLE: Team Tower

STEP 1



NOTE: Secure with wood screws, staples, and wood glue where necessary.

E

E

D

D

C

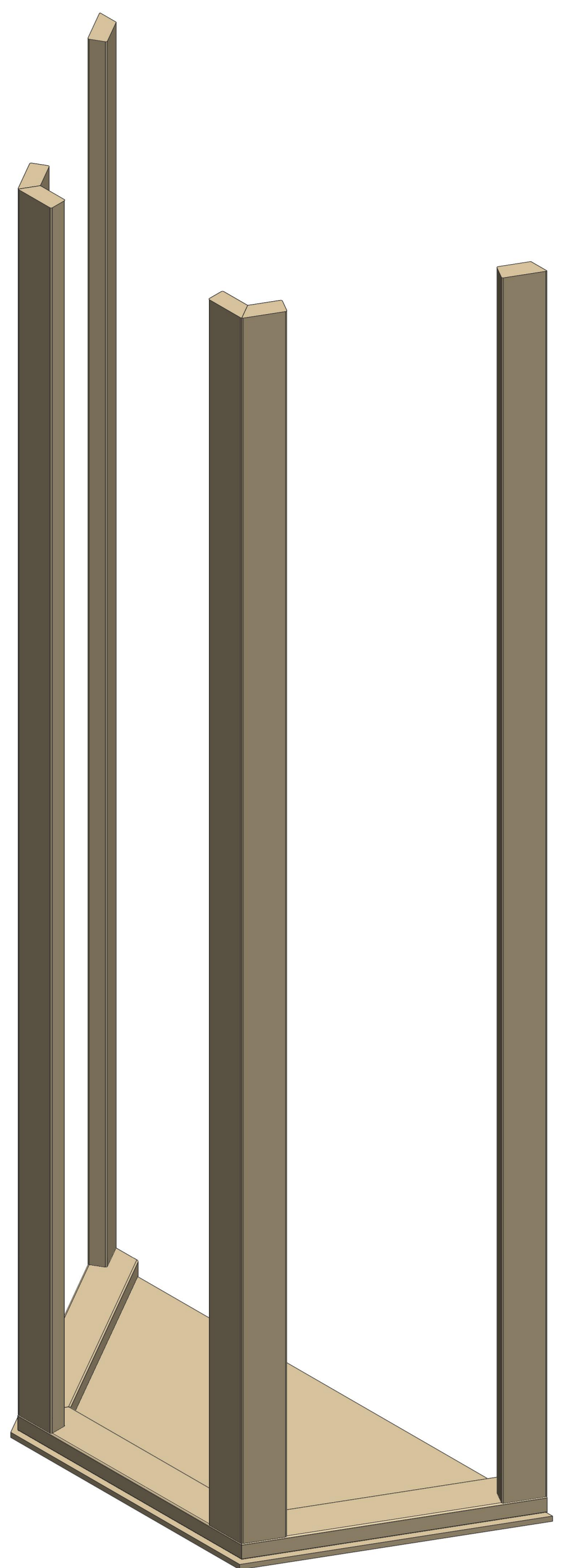
C

B

B

A

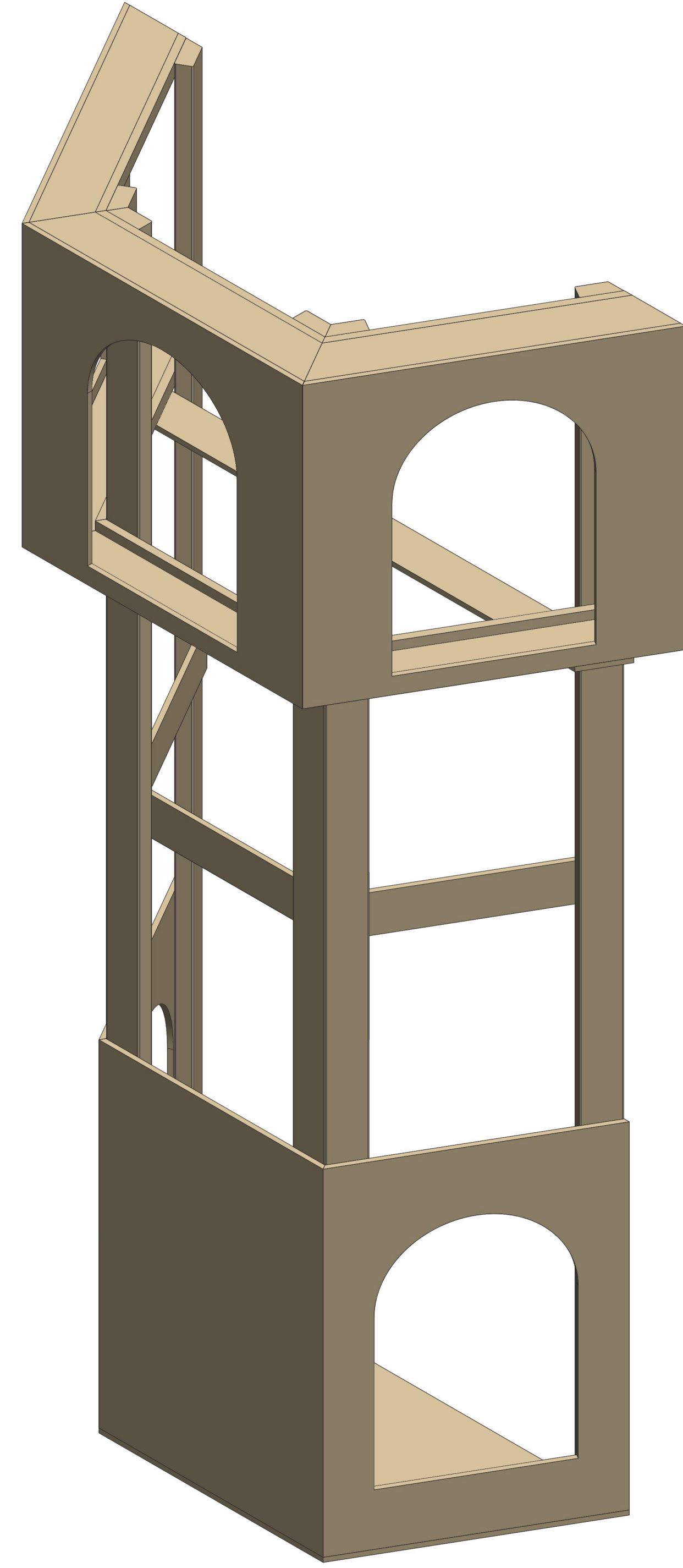
A



STEP 2



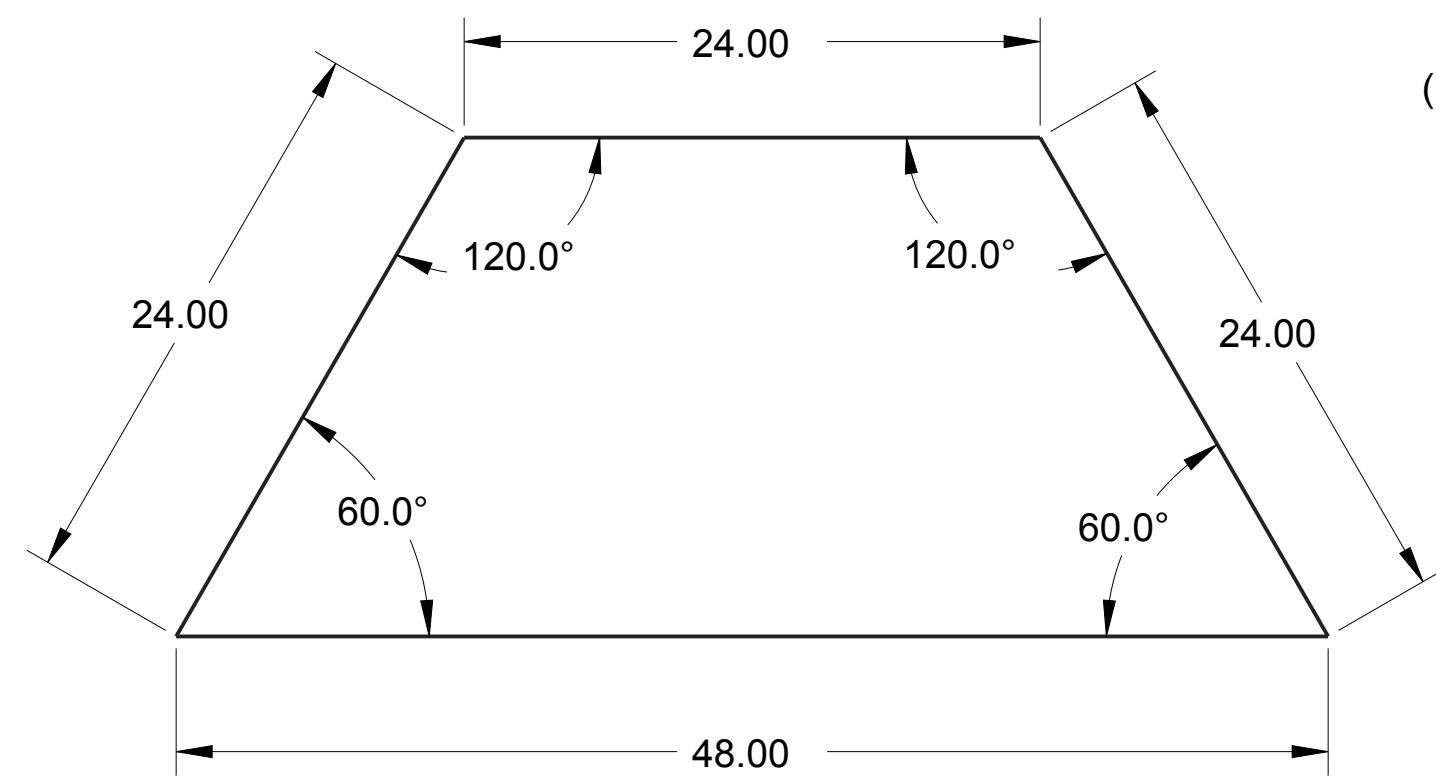
STEP 3



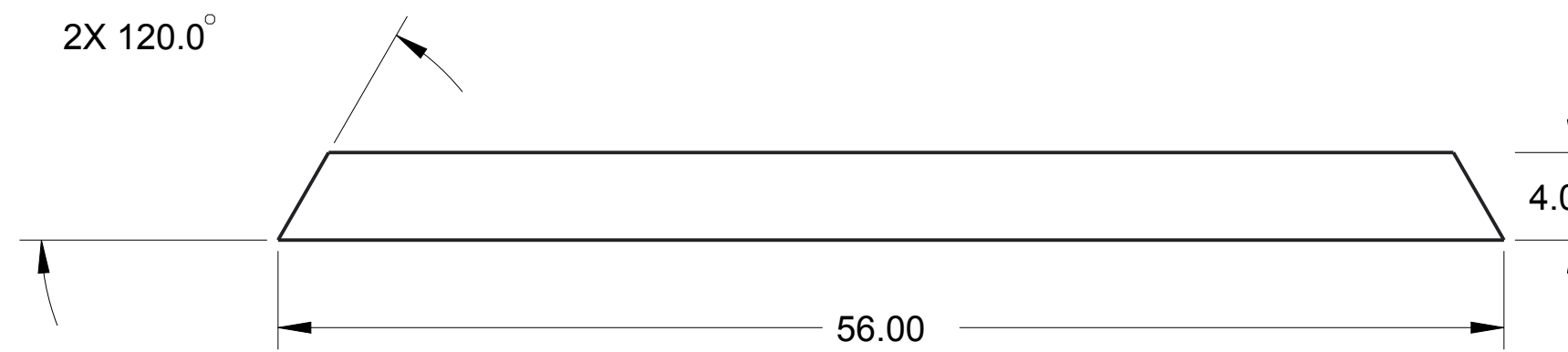
STEP 4

1 2 3 4 5 6 7 8

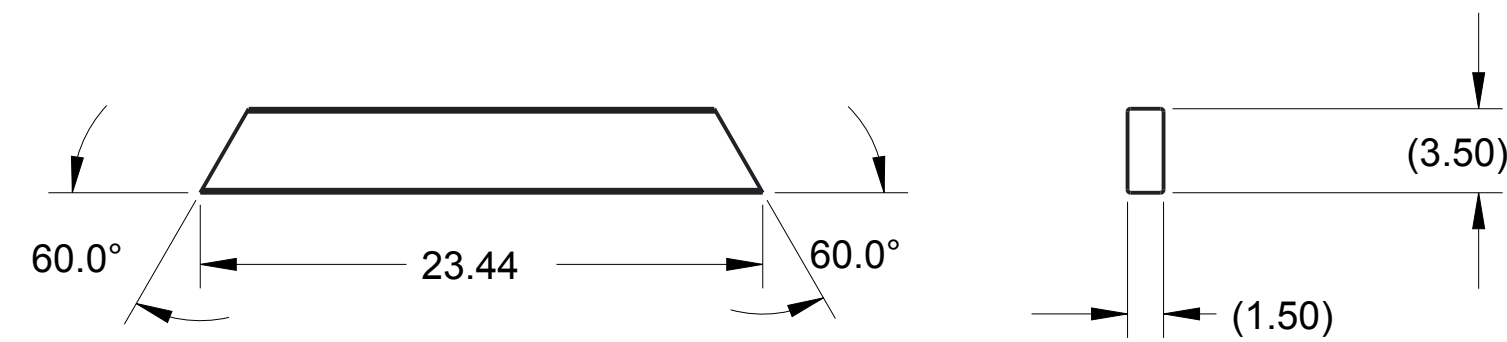
	DRAWN BY	DATE
	CHECKED BY	DATE
	APPROVED BY	DATE
	<small>UNLESS OTHERWISE SPECIFIED ALL DIMENSIONS ARE IN INCHES. TOLERANCES ARE: XXX +/- 0.1 XXX +/- 0.01 XXX +/- 0.001 ANG +/- 1</small>	
TITLE: Team Tower		SCALE: 1:8
PROJECT:		MODEL NAME: TE-16004
DO NOT SCALE		ISSUE: SHEET 4 OF 6



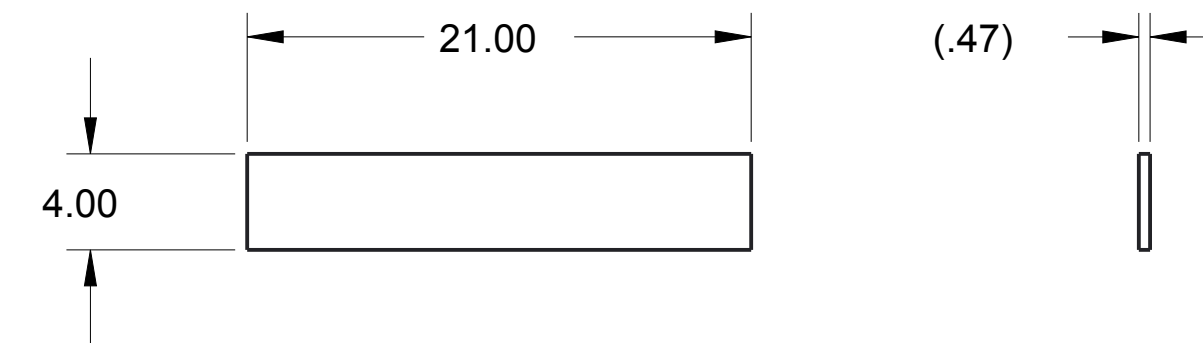
NOTE
 Part: TE-16004-11
 Material: 1/2" Plywood (15/32")
 Qty: 1
 Scale: 1:8



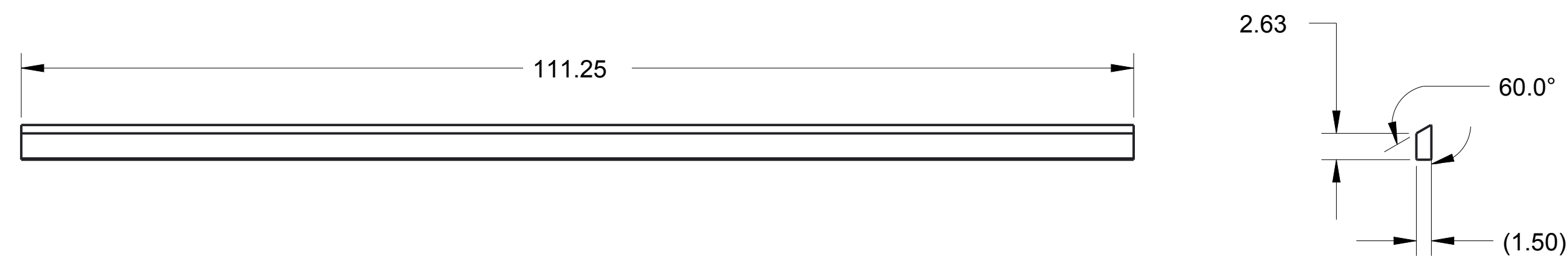
NOTE
 Part: TE-16004-08
 Material: 1/2" Plywood (15/32")
 Qty: 1
 Scale: 1:8



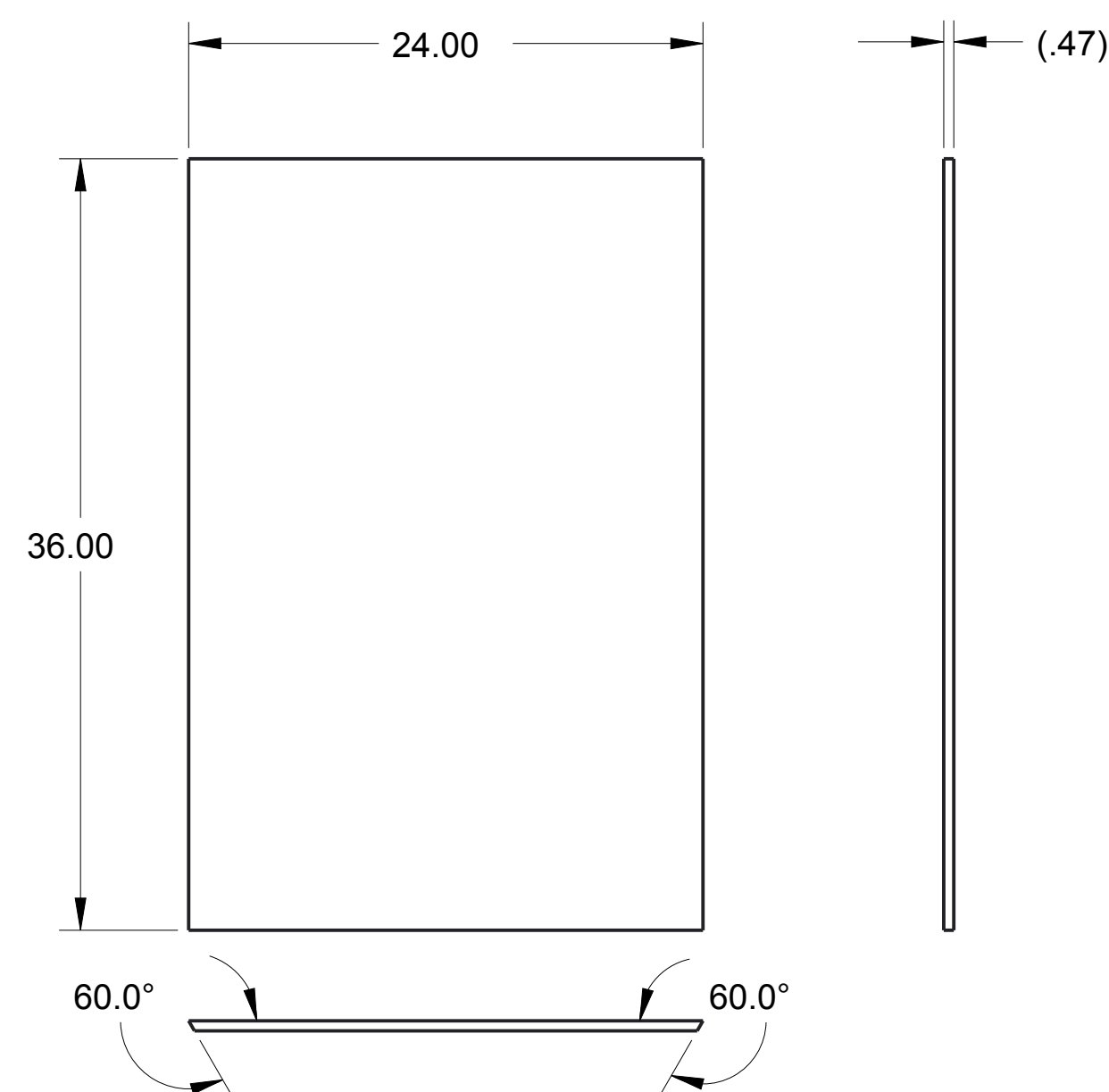
NOTE
 Part: TE-16004-10
 Material: 2x4 Lumber
 Qty: 3
 Scale: 1:8



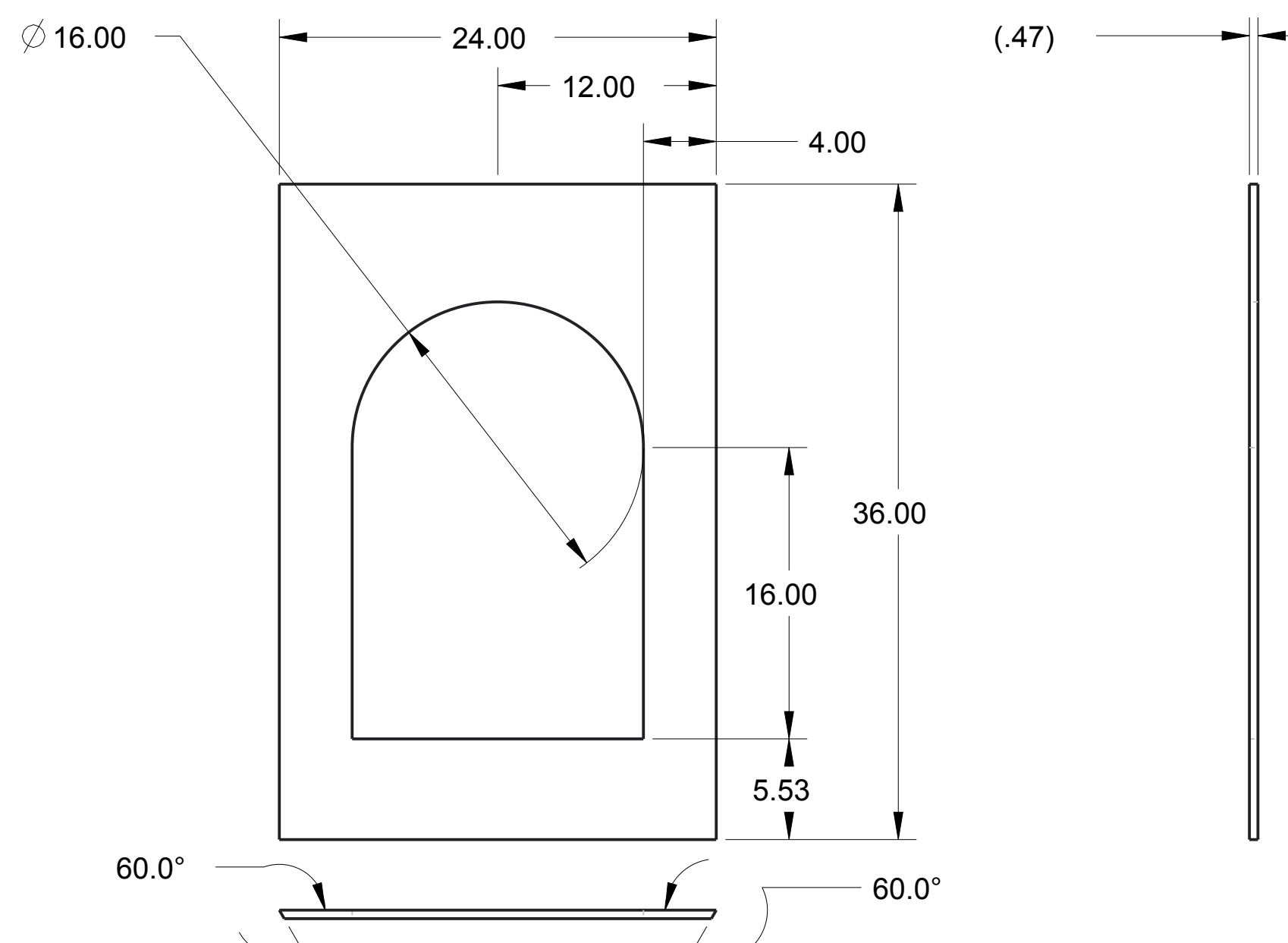
NOTE
 Part: TE-16004-09
 Material: 1/2" Plywood (15/32")
 Qty: 3
 Scale: 1:8



NOTE
 Part: TE-16004-02
 Material: 2x4 Lumber
 Qty: 6
 Scale: 1:8

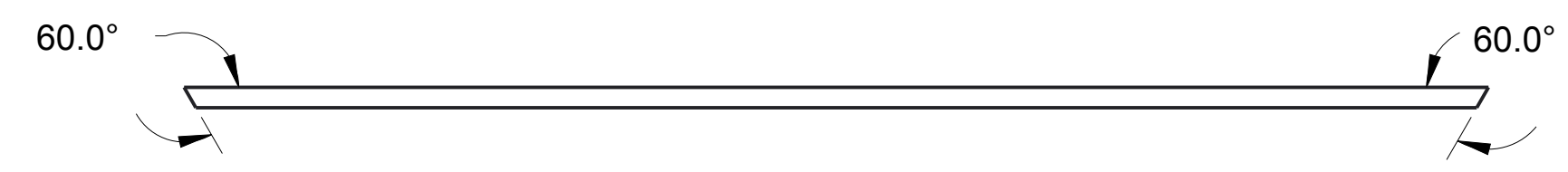
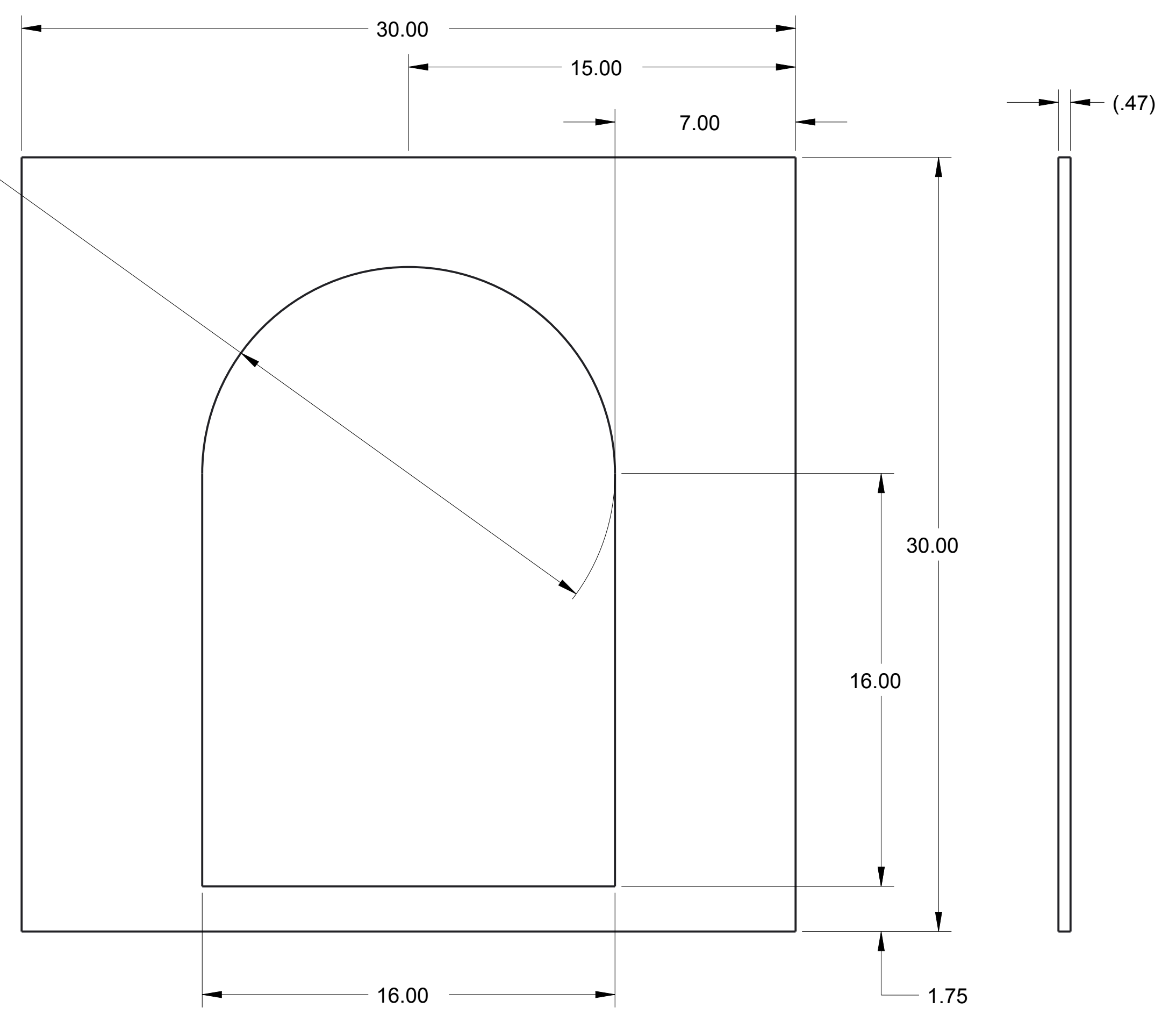


NOTE
 Part: TE-16004-03
 Material: 1/2" Plywood (15/32")
 Qty: 1
 Scale: 1:8

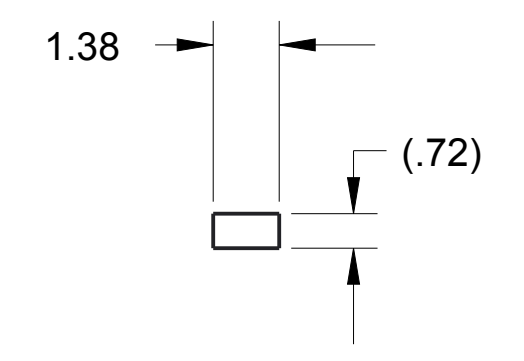
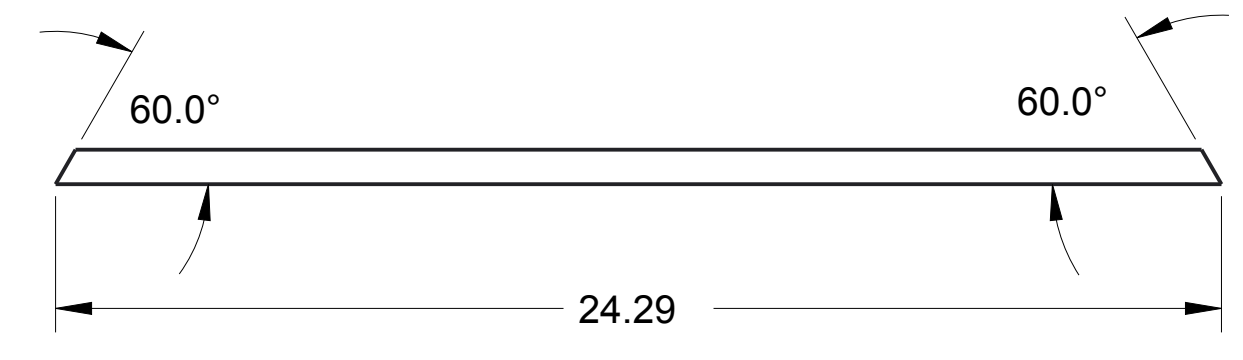


NOTE
 Part: TE-16004-04
 Material: 1/2" Plywood (15/32")
 Qty: 2
 Scale: 1:8

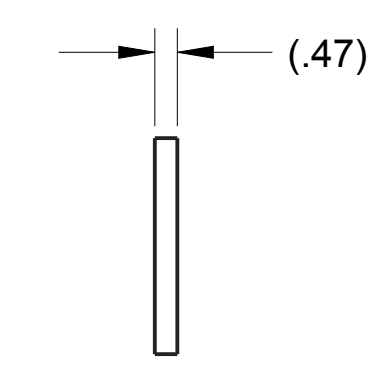
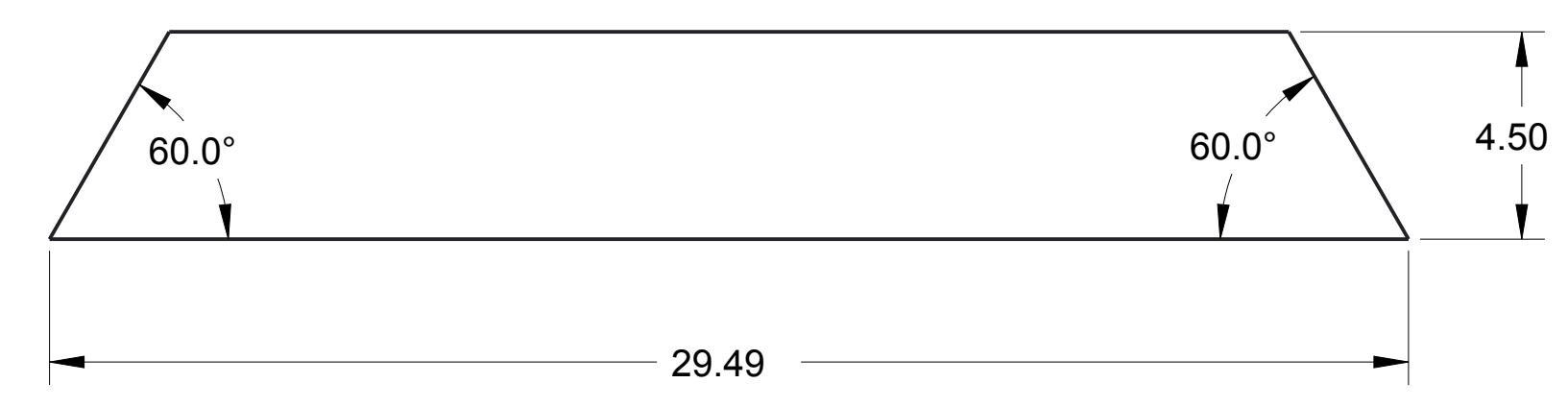
	DRAWN BY	DATE
	CHECKED BY	DATE
	APPROVED BY	DATE
	SCALE: 1:8 SHEET 5 OF 6	
TITLE: Team Tower		MODEL NAME: TE-16004
PROJECT:		ISSUE:
DO NOT SCALE		



NOTE
 Part: TE-16004-05
 Material: 1/2" Plywood (15/32")
 Qty: 3
 Scale: 1:4



NOTE
 Part: TE-16004-07
 Material: 3/4" Plywood (23/32")
 Qty: 6
 Scale: 1:4

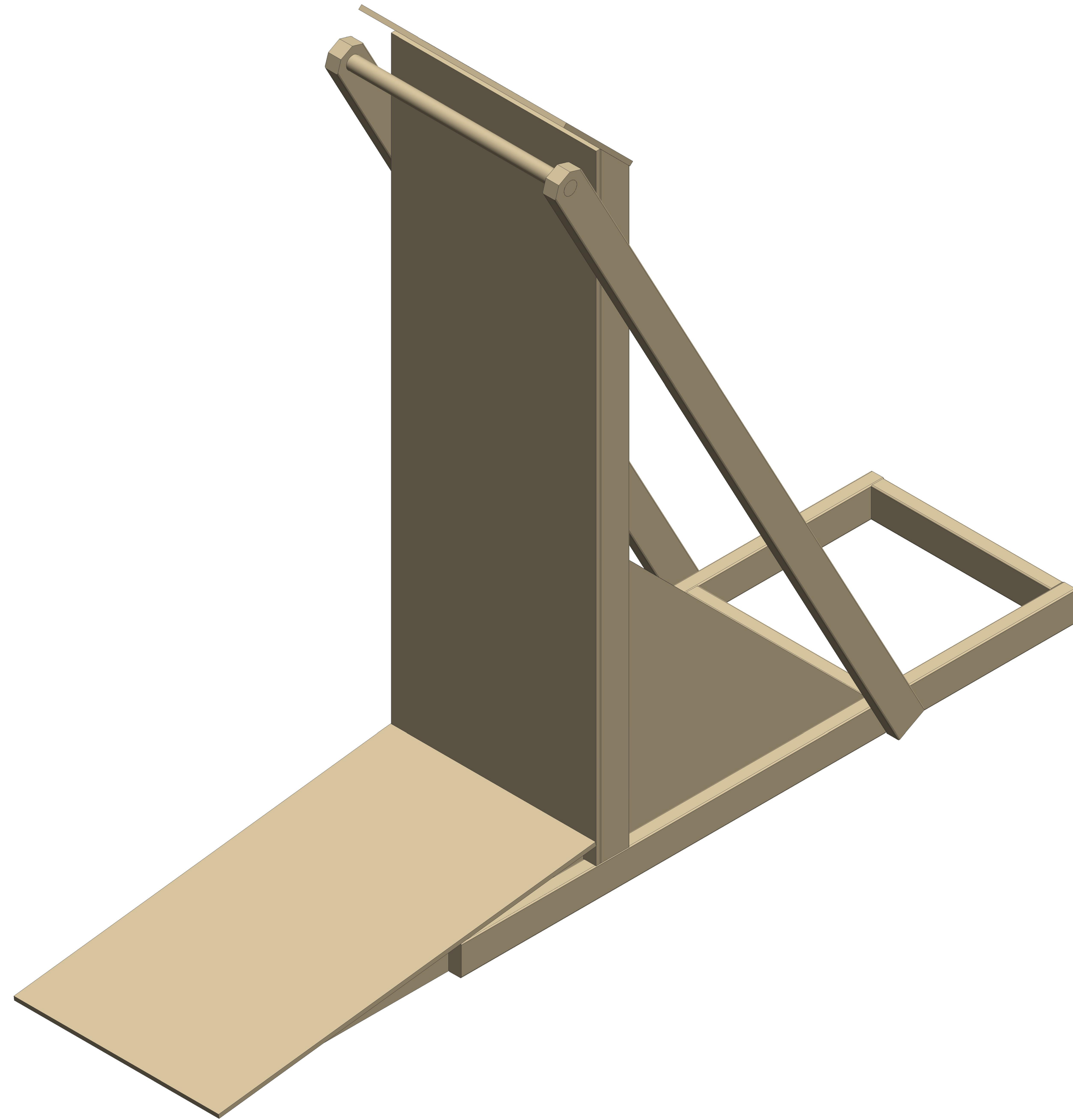


NOTE
 Part: TE-16004-06
 Material: 1/2" Plywood (15/32")
 Qty: 6
 Scale: 1:4

	DRAWN BY	DATE
	CHECKED BY	DATE
	APPROVED BY	DATE
	<small>THIS DOCUMENT IS SUPPLIED IN CONFIDENCE. NO REPRODUCTION OF THIS DOCUMENT IN PART OR IN WHOLE OR THE DISCLOSURE OF THE ITEMS SHOWN MAY BE MADE WITHOUT THE COPYRIGHT OWNERS WRITTEN PERMISSION.</small>	
TITLE	Team Tower	
PROJECT	MODEL NAME	ISSUE
DO NOT SCALE	TE-16004	

MODEL NAME: TE-16006
 TITLE: Team Hanging Bar

REV	LOCATION	DESCRIPTION	APPROVED	DATE
A	E2, Page 2	Added BOM and Exploded View to Page 2	NJS	2/5/16



ITEM NO	PART NUMBER	QTY	DESCRIPTION	NOTES
1	TE-16006-01	2	TE-16006-01	2x4 Lumber
2	TE-16006-02	2	TE-16006-02	2x4 Lumber
3	TE-16006-03	2	TE-16006-01	2x4 Lumber
4	TE-16006-04	1	TE-16006-04	1/2" Plywood
5	TE-16006-05	2	TE-16006-05	1/2" Plywood
6	TE-16006-06	2	TE-16006-01	2x4 Lumber
7	TE-16006-07	1	TE-16006-07	1/2" Plywood
8	TE-16006-08	2	TE-16006-08	1/2" Plywood
9	TE-16006-09	4	TE-16006-01	2x4 Lumber
10	TE-16006-10	1	TE-16006-10	1/2" Plywood
11	TE-16006-11	1	TE-16006-11	1.5" Wood Dowel

 <small>UNLESS OTHERWISE SPECIFIED ALL DIMENSIONS ARE IN INCHES. TOLERANCES ARE: XXX ± 0.1 XXXX ± 0.01 ANG ± 1 DO NOT SCALE</small>	<small>DRAWN BY</small> <small>DATE</small>
	<small>CHECKED BY</small> <small>DATE</small>
	<small>APPROVED BY</small> <small>DATE</small>
	<small>SCALE 3:16</small> <small>SHEET 1 OF 7</small>
<small>TITLE</small> Team Hanging Bar	
<small>PROJECT</small>	<small>MODEL NAME</small> TE-16006
<small>ISSUE</small>	

1

2

3

4

5

6

7

8

MODEL NAME: TE-16006 TITLE: Team Hanging Bar

A

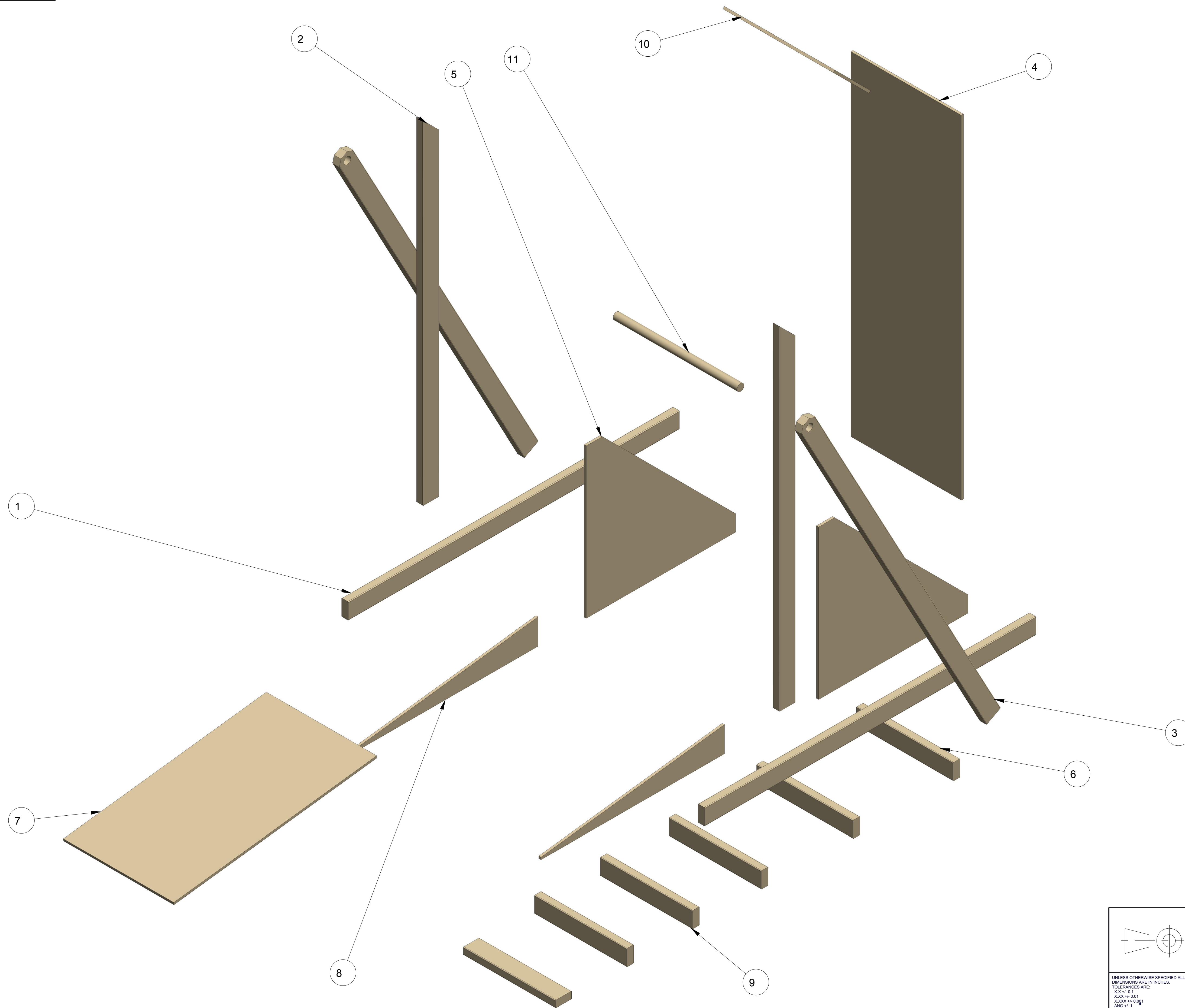
E

D

C

B

A



	DRAWN BY	DATE
	CHECKED BY	DATE
	APPROVED BY	DATE
	<small>UNLESS OTHERWISE SPECIFIED ALL DIMENSIONS ARE IN INCHES. TOLERANCES ARE: XXX ± 0.1 XXXX ± 0.01 ANGLE ± 1</small>	
<small>THIS DOCUMENT IS SUPPLIED IN CONFIDENCE. NO REPRODUCTION OF THIS DOCUMENT IN PART OR IN WHOLE OR THE DISCLOSURE OF THE ITEMS SHOWN MAY BE MADE WITHOUT THE COPYRIGHT OWNER'S WRITTEN PERMISSION.</small>		SCALE 1:8
TITLE: Team Hanging Bar		SHEET 2 OF 7
PROJECT	MODEL NAME	ISSUE
	TE-16006	

1

2

3

4

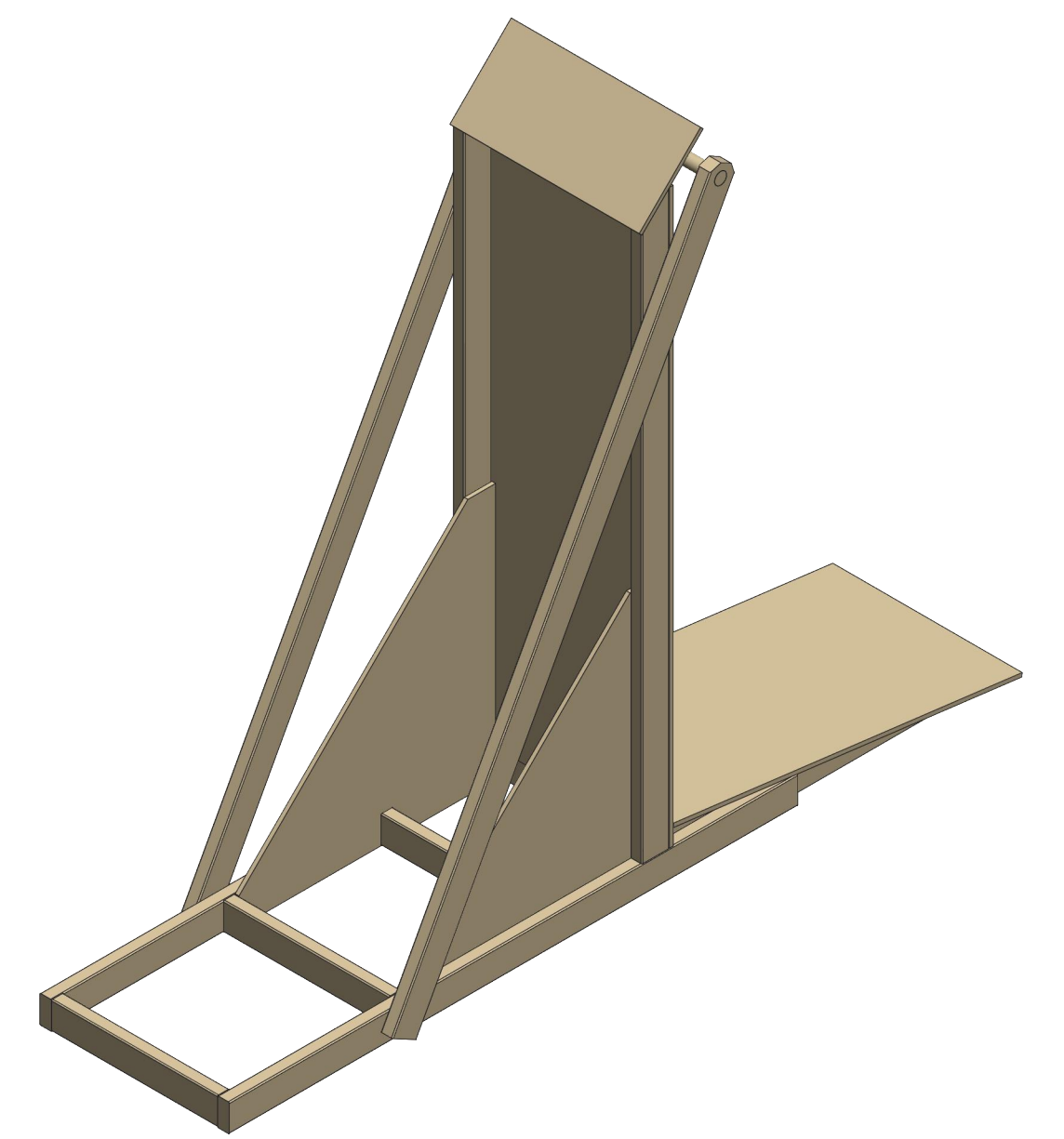
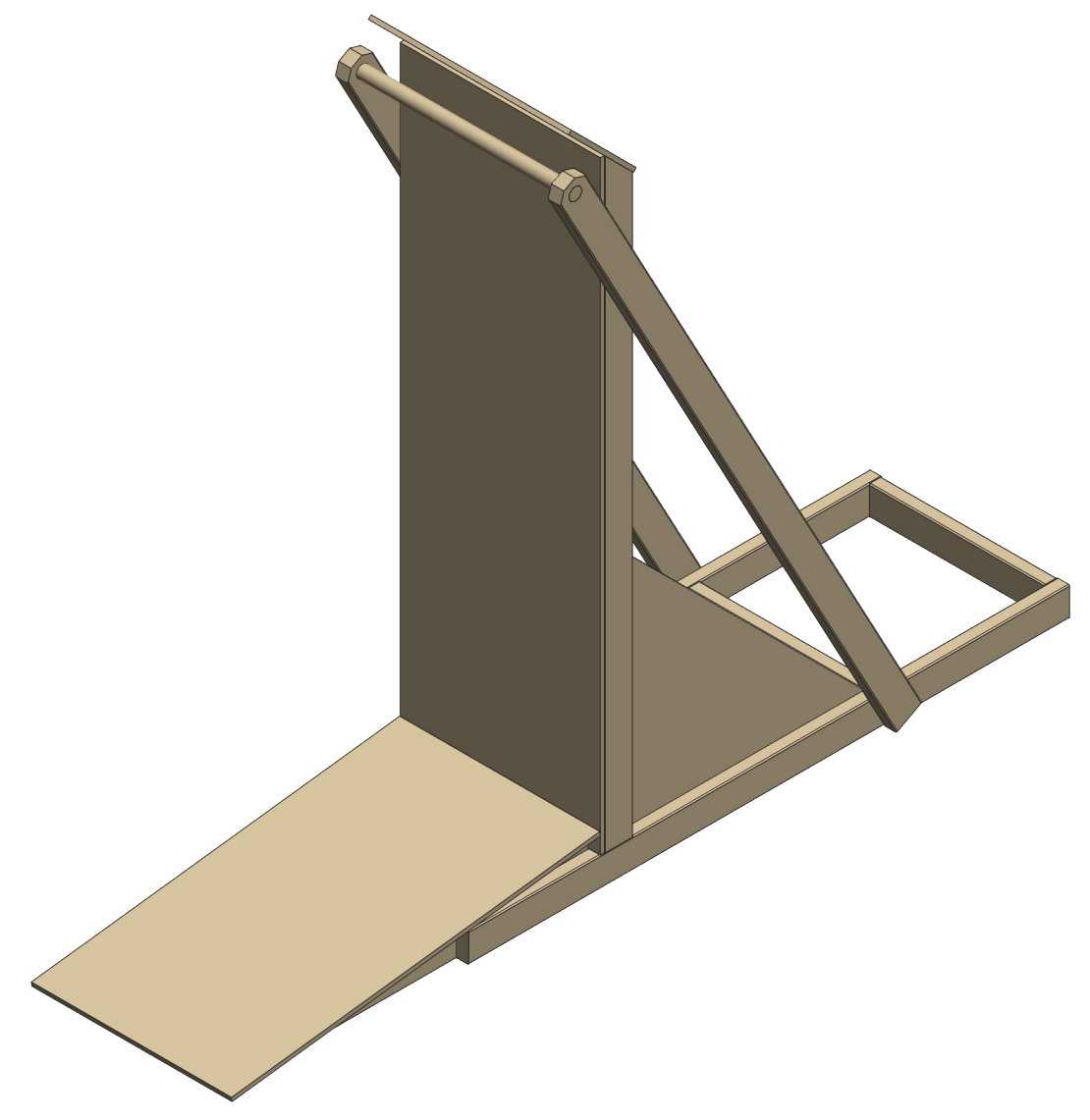
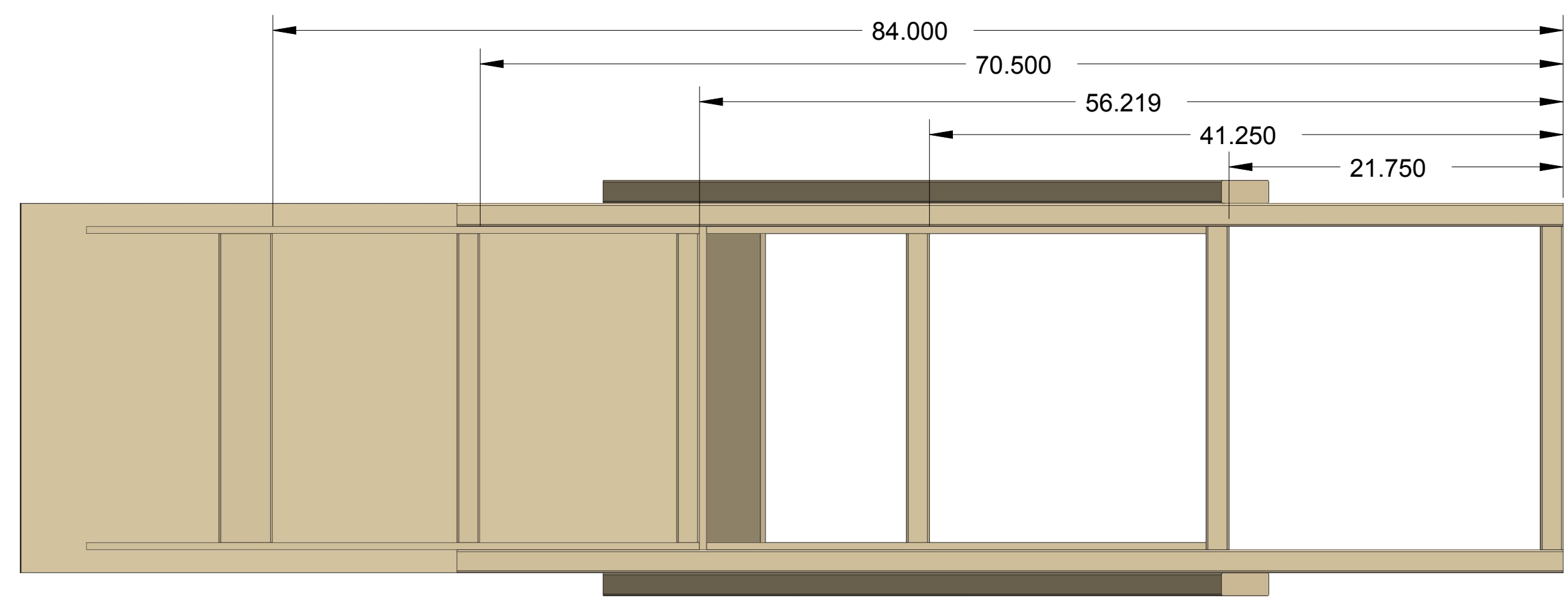
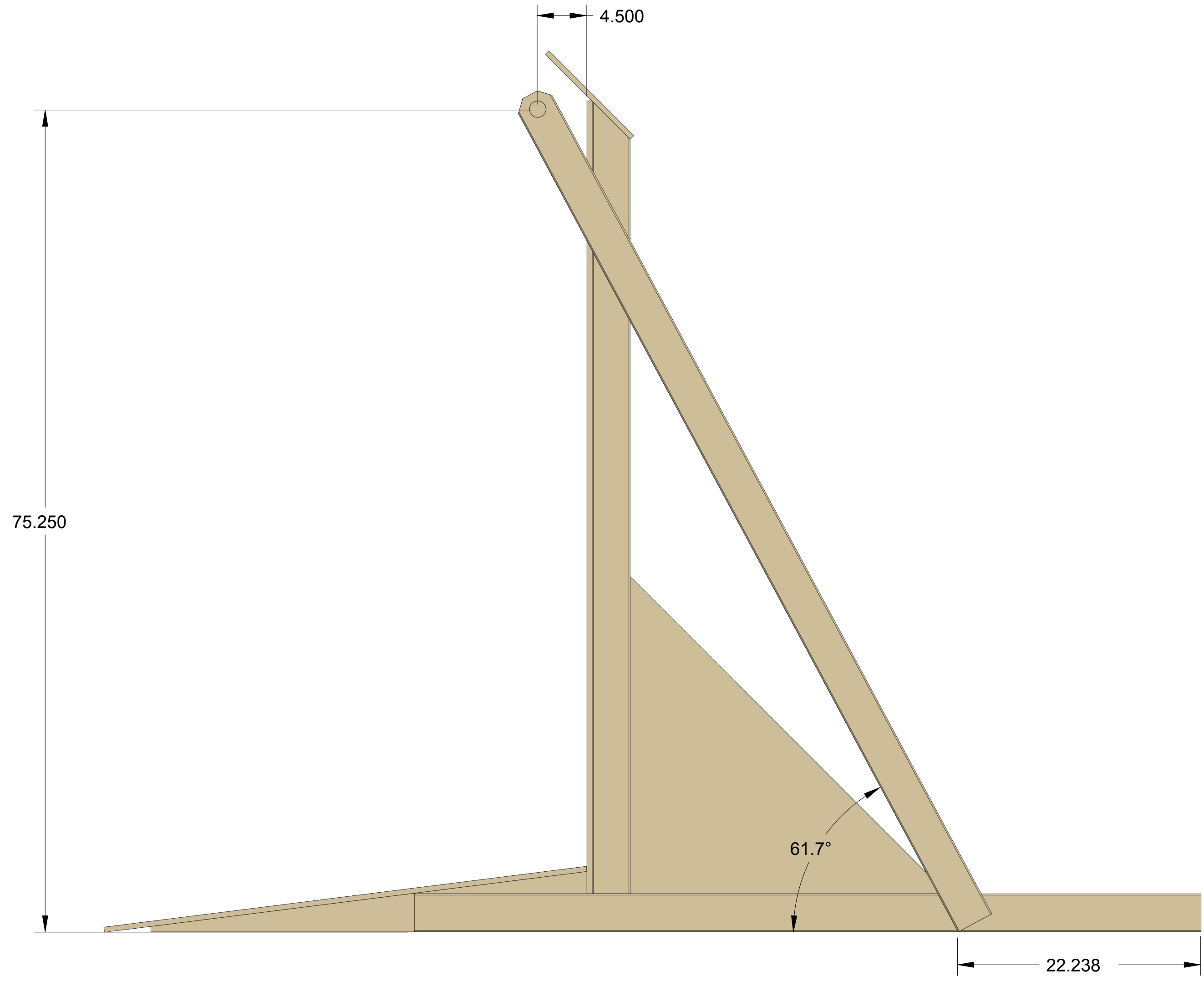
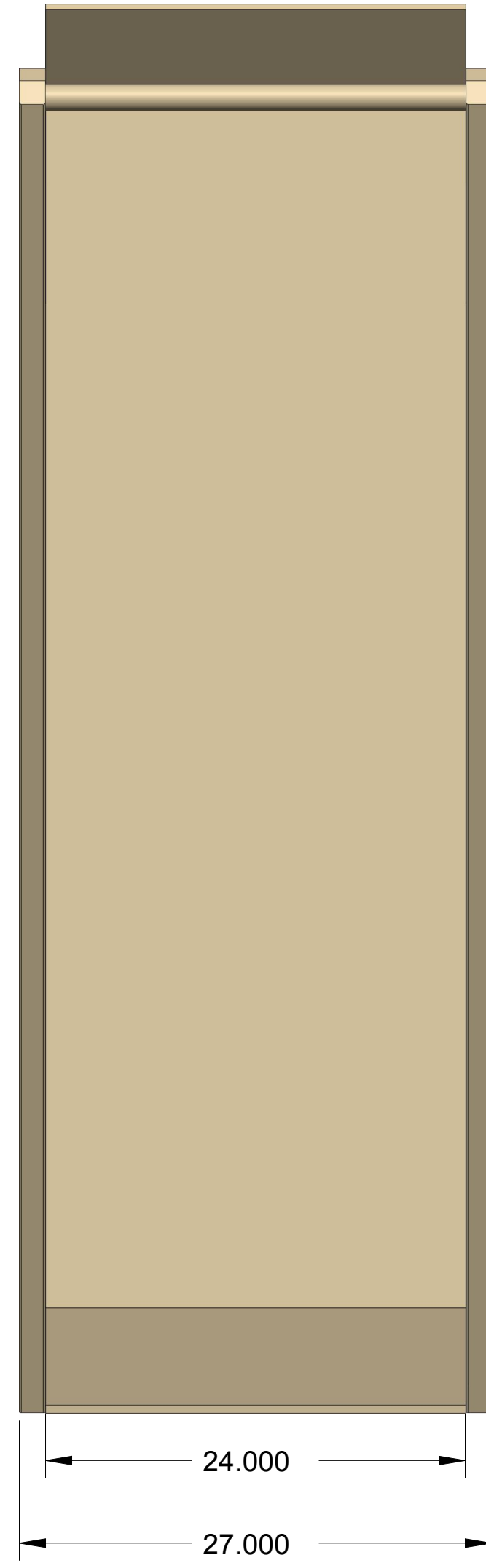
5

6

7

8

DO NOT SCALE



<p>UNLESS OTHERWISE SPECIFIED ALL DIMENSIONS ARE IN INCHES. TOLERANCES ARE: XXX +/- 0.1 XXX +/- 0.01 XXX +/- 0.001 ANG +/- 1 DO NOT SCALE</p>			DRAWN BY	DATE
			CHECKED BY	DATE
			APPROVED BY	DATE
	TITLE Team Hanging Bar		SCALE 1:8	SHEET 3 OF 7
PROJECT	MODEL NAME		ISSUE	
	TE-16006			

1 2 3 4 5 6 7 8

E

D

C

B

A

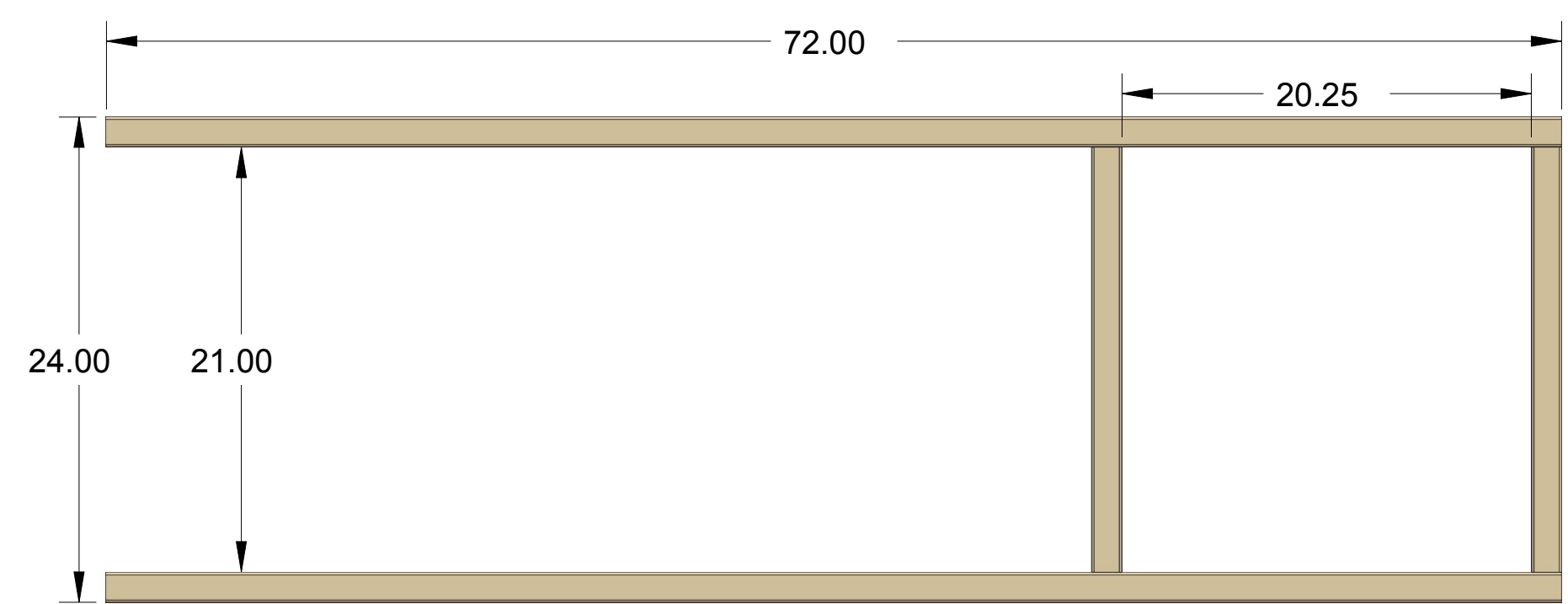
E

D

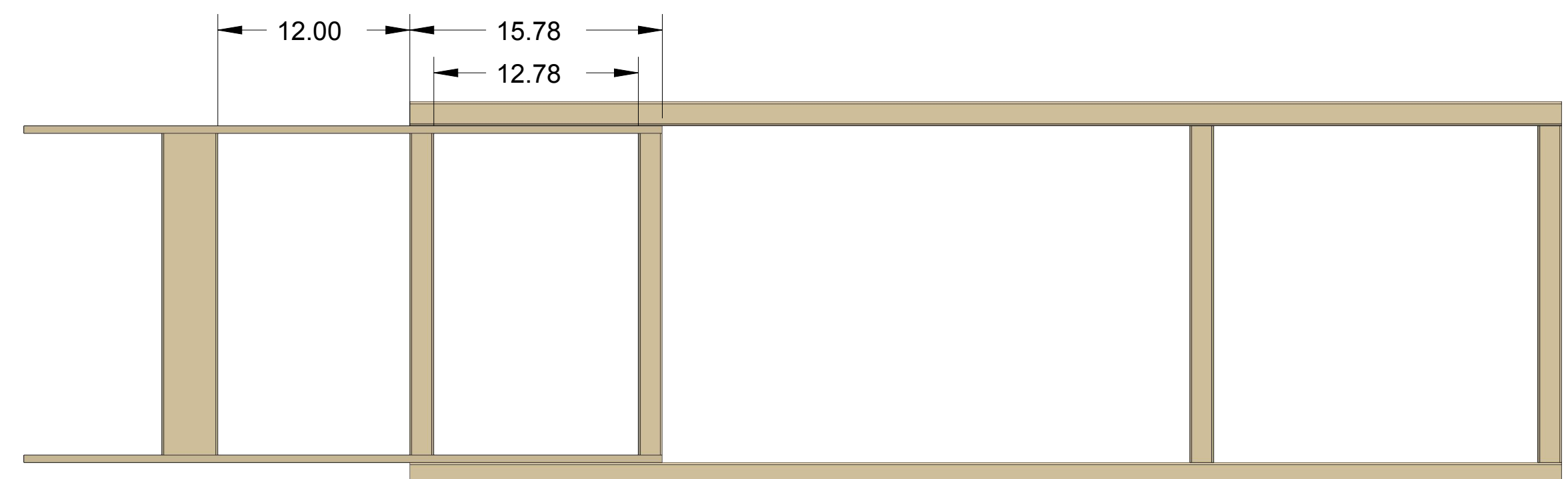
C

B

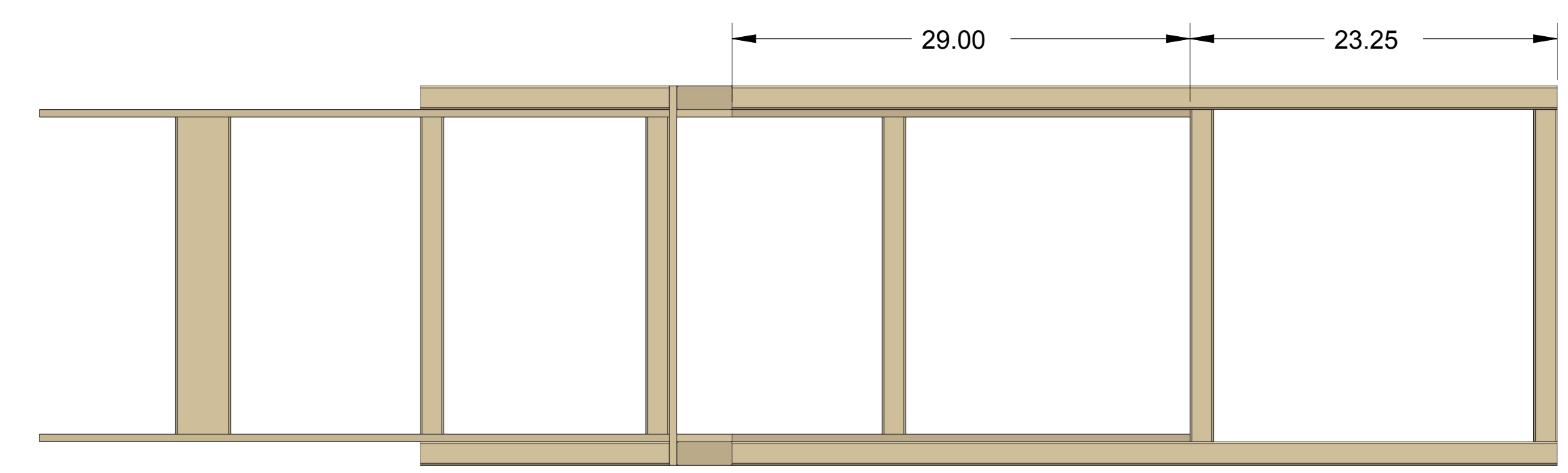
A



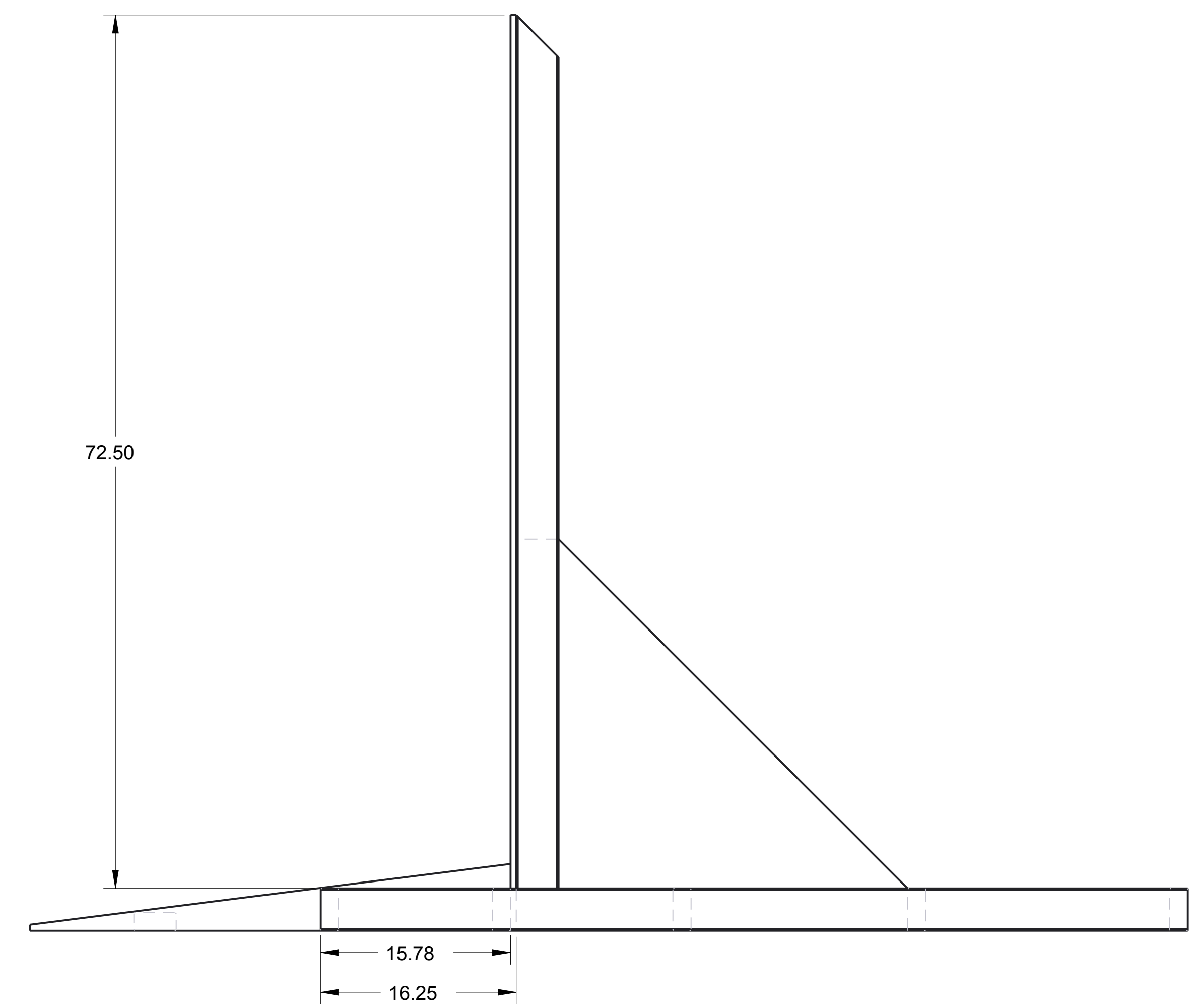
STEP 1: Secure with wood screws and wood glue



STEP 12: Secure with wood screws and wood glue

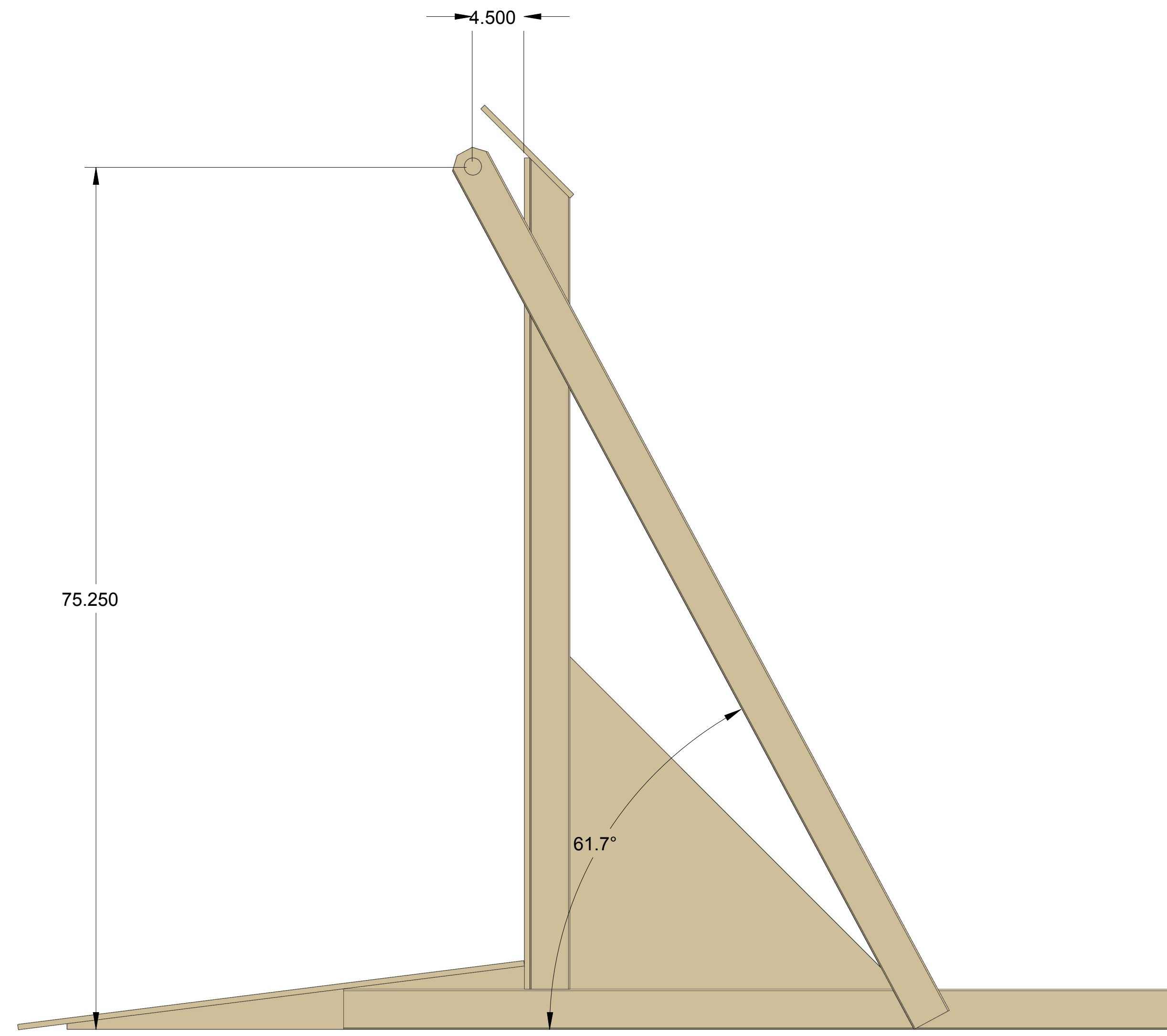


STEP 3: Secure with wood screws and wood glue




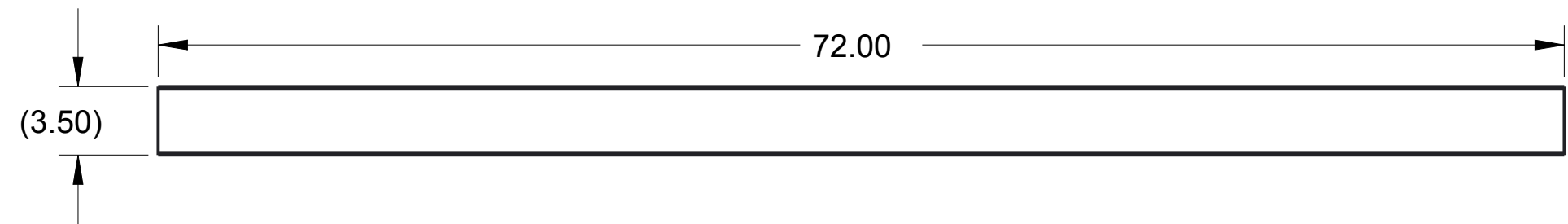
<p>UNLESS OTHERWISE SPECIFIED ALL DIMENSIONS ARE IN INCHES. DEC = 0.1 XXX = 0.01 XXXX = 0.001 ANG +/- .1</p> <p>DO NOT SCALE</p>	<p>THIS DOCUMENT IS SUPPLIED IN CONFIDENCE. NO REPRODUCTION OF THIS DOCUMENT IN PART OR IN WHOLE OR THE DISCLOSURE OF THE ITEMS SHOWN MAY BE MADE WITHOUT THE COPYRIGHT OWNER'S WRITTEN PERMISSION.</p>		<p>DRAWN BY: _____ DATE: _____</p>
	<p>CHECKED BY: _____ DATE: _____</p>		<p>APPROVED BY: _____ DATE: _____</p>
	<p>TITLE: Team Hanging Bar</p>		<p>SCALE: 1:8</p>
	<p>PROJECT: _____</p>		<p>MODEL NAME: TE-16006</p>
		<p>SHEET 4 OF 7</p>	<p>ISSUE: _____</p>

1 2 3 4 5 6 7 8

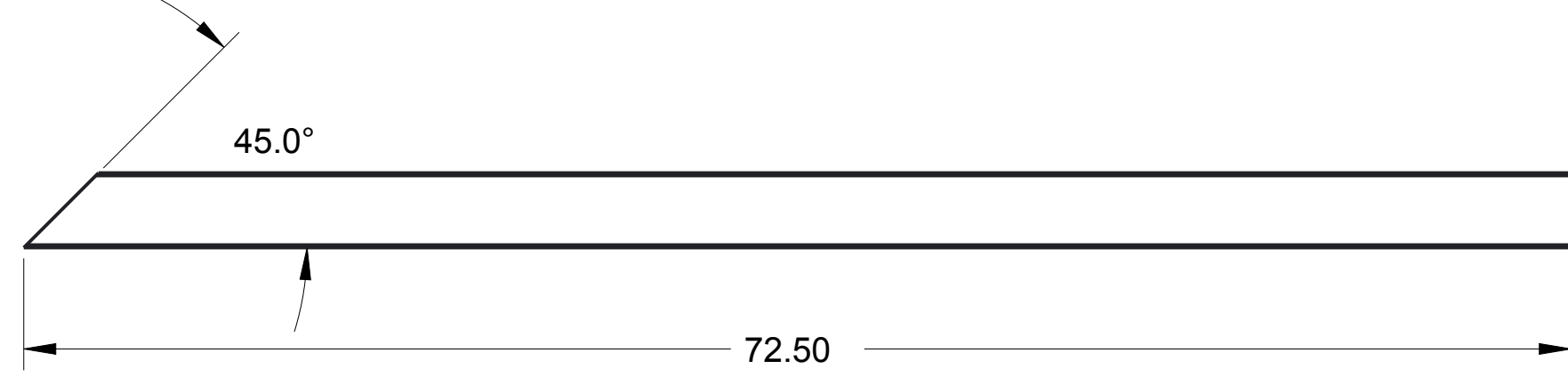


STEP 4: Secure with wood screws and wood glue

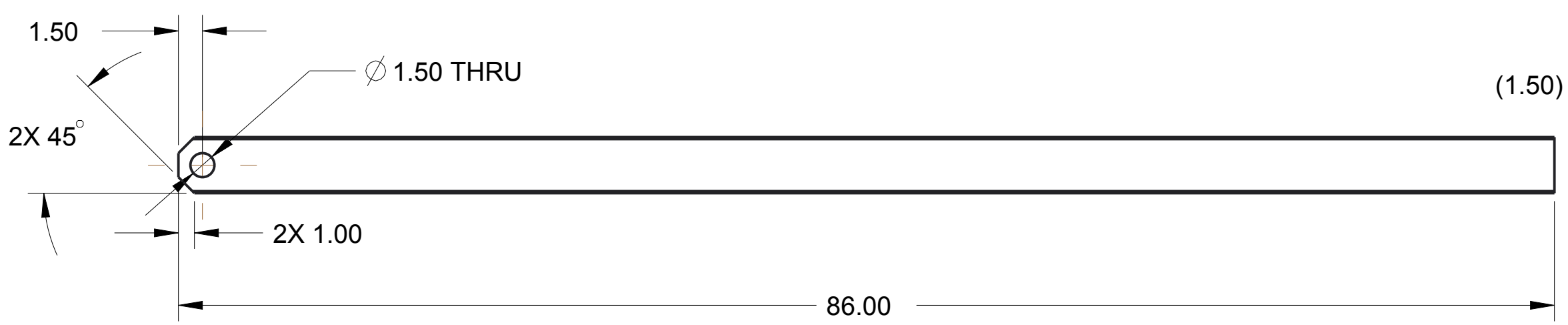
	DRAWN BY	DATE
	CHECKED BY	DATE
	APPROVED BY	DATE
	<small>THIS DOCUMENT IS SUPPLIED IN CONFIDENCE. NO REPRODUCTION OF THIS DOCUMENT IN PART OR IN WHOLE OR THE DISCLOSURE OF THE ITEMS SHOWN MAY BE MADE WITHOUT THE COPYRIGHT OWNER'S WRITTEN PERMISSION.</small>	
<small>UNLESS OTHERWISE SPECIFIED ALL DIMENSIONS ARE IN INCHES. TOLERANCES ARE: XXX +/- 0.1 XXX +/- 0.01 XXX +/- 0.001 ANG +/- 1</small>	TITLE Team Hanging Bar	
DO NOT SCALE	SCALE 1:8	SHEET 5 OF 7
PROJECT	MODEL NAME TE-16006	ISSUE



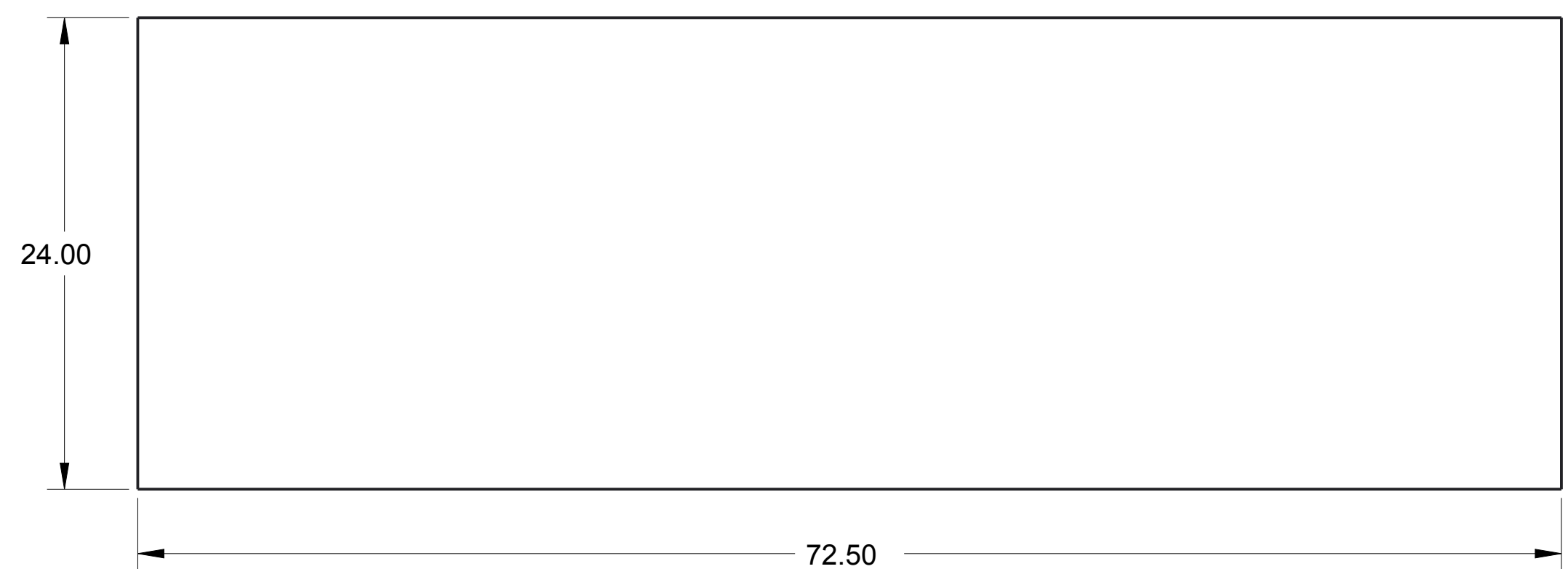
NOTE
 Part: TE-16006-01
 Material: 2x4 Lumber
 Qty: 2
 Scale: 1:8



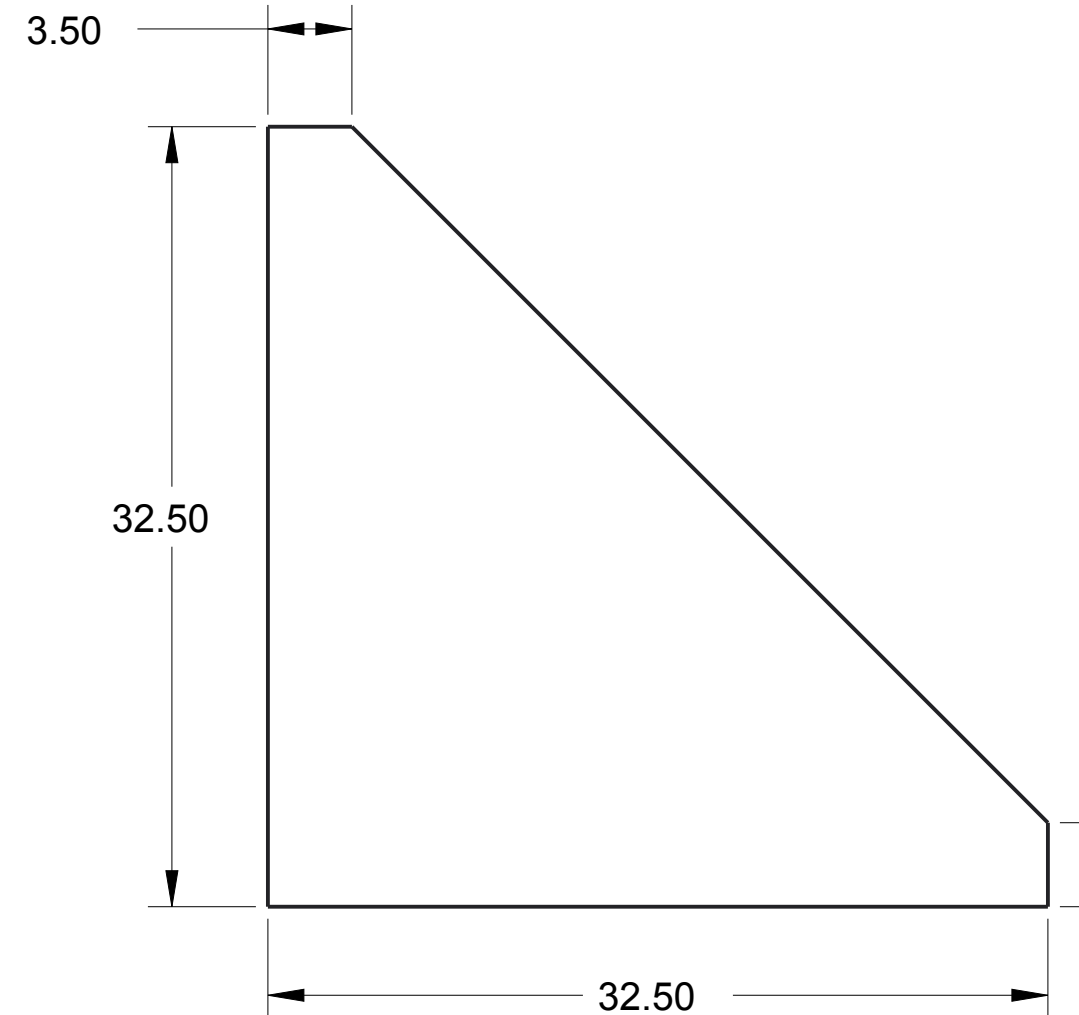
NOTE
 Part: TE-16006-02
 Material: 2x4 Lumber
 Qty: 2
 Scale: 1:8



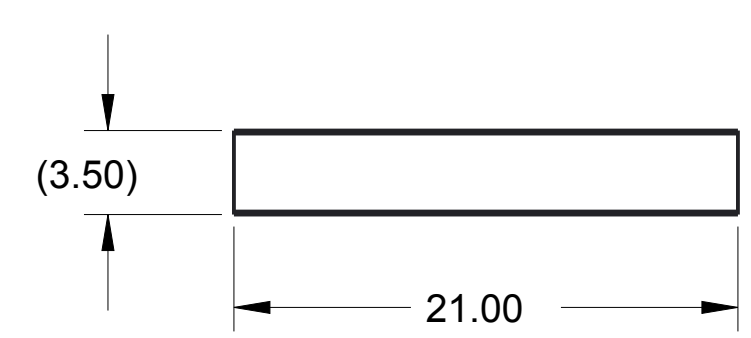
NOTE
 Part: TE-16006-03
 Material: 2x4 Lumber
 Qty: 2
 Scale: 1:8



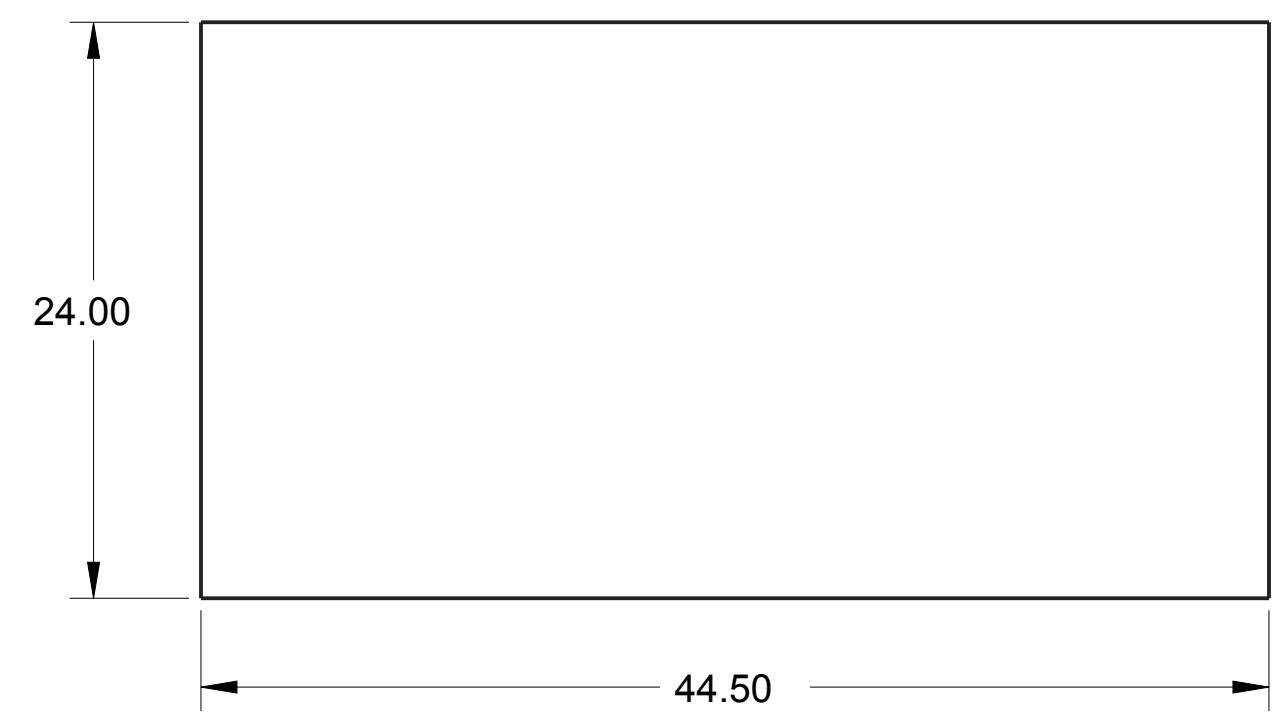
NOTE
 Part: TE-16006-04
 Material: 1/2" Plywood (15/32")
 Qty: 1
 Scale: 1:8



NOTE
 Part: TE-16006-05
 Material: 1/2" Plywood (15/32")
 Qty: 2
 Scale: 1:8



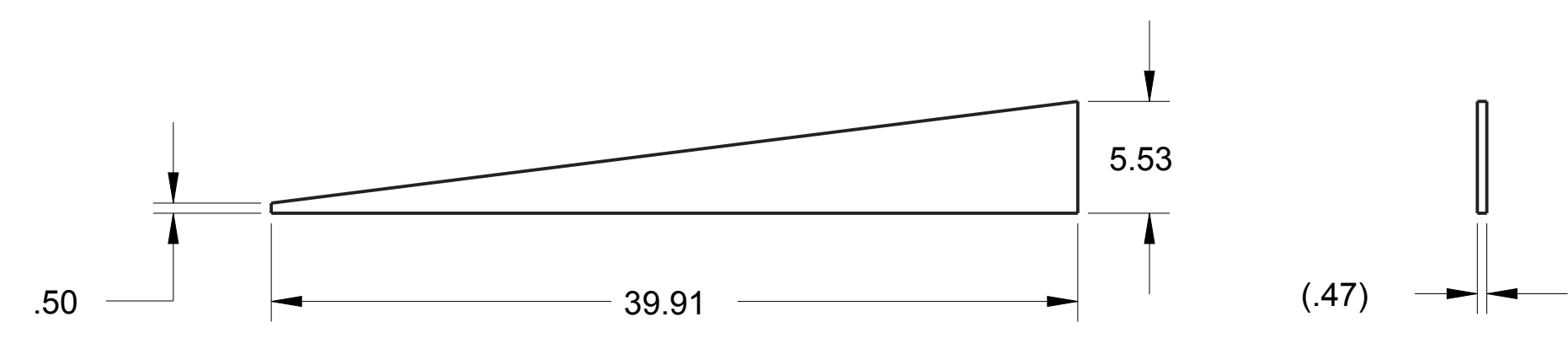
NOTE
 Part: TE-16006-06
 Material: 2x4 Lumber
 Qty: 2
 Scale: 1:8



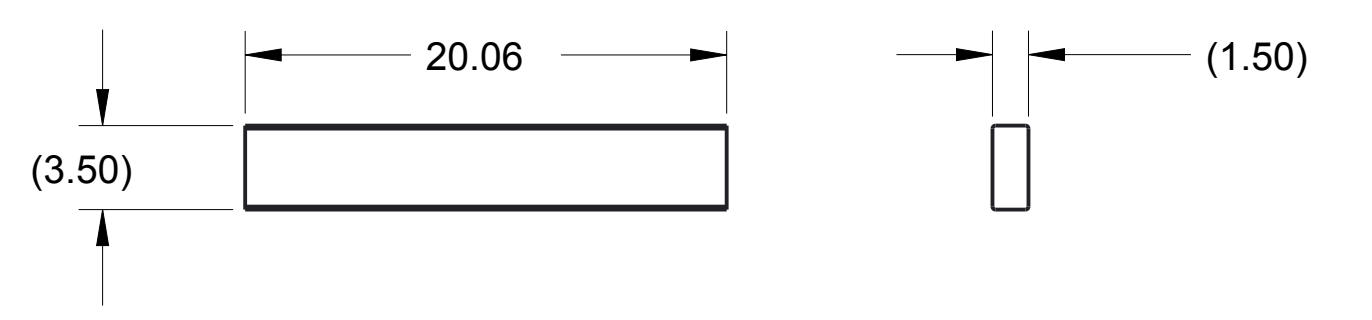
NOTE
 Part: TE-16006-07
 Material: 1/2" Plywood (15/32")
 Qty: 1
 Scale: 1:8

	DRAWN BY	DATE
	CHECKED BY	DATE
	APPROVED BY	DATE
	SCALE 3:16 SHEET 6 OF 7	
TITLE: Team Hanging Bar		
PROJECT:		MODEL NAME: TE-16006
ISSUE:		ISSUE:

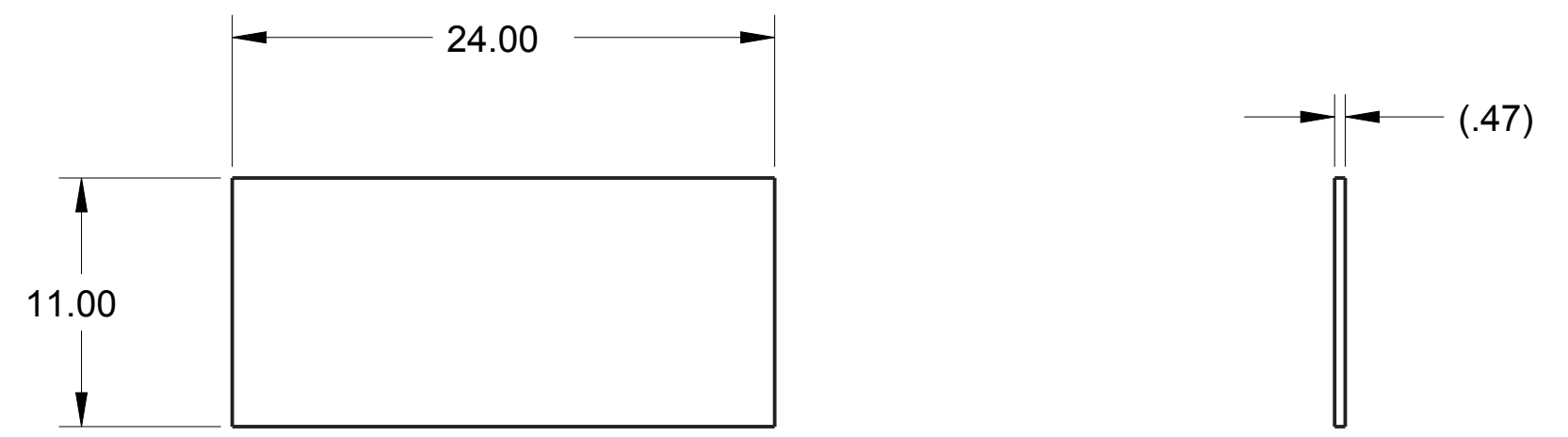
UNLESS OTHERWISE SPECIFIED ALL DIMENSIONS ARE IN INCHES.
 TOLERANCES ARE:
 XXX +/- .01
 XXXX +/- .001
 ANG +/- .1
 DO NOT SCALE



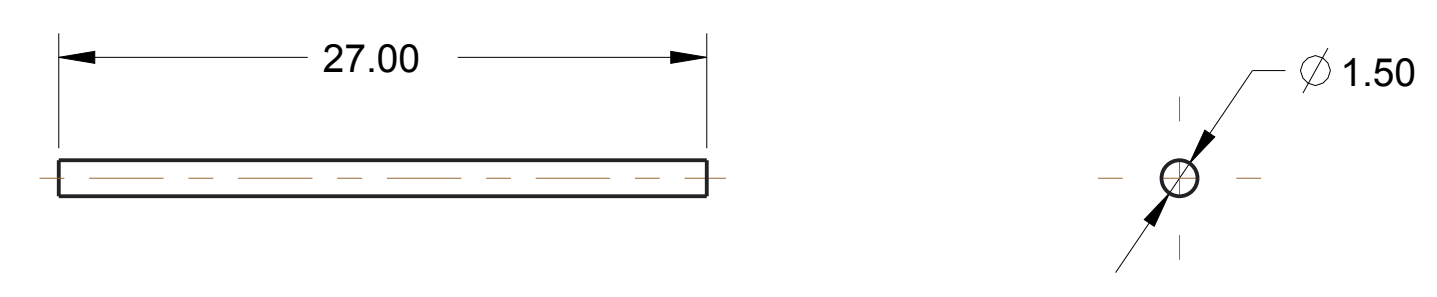
NOTE
 Part: TE-16006-08
 Material: 1/2" Plywood (15/32")
 Qty: 2
 Scale: 1:8



NOTE
 Part: TE-16006-09
 Material: 2x4 Lumber
 Qty: 4
 Scale: 1:8



NOTE
 Part: TE-16006-10
 Material: 1/2" Plywood (15/32")
 Qty: 1
 Scale: 1:8

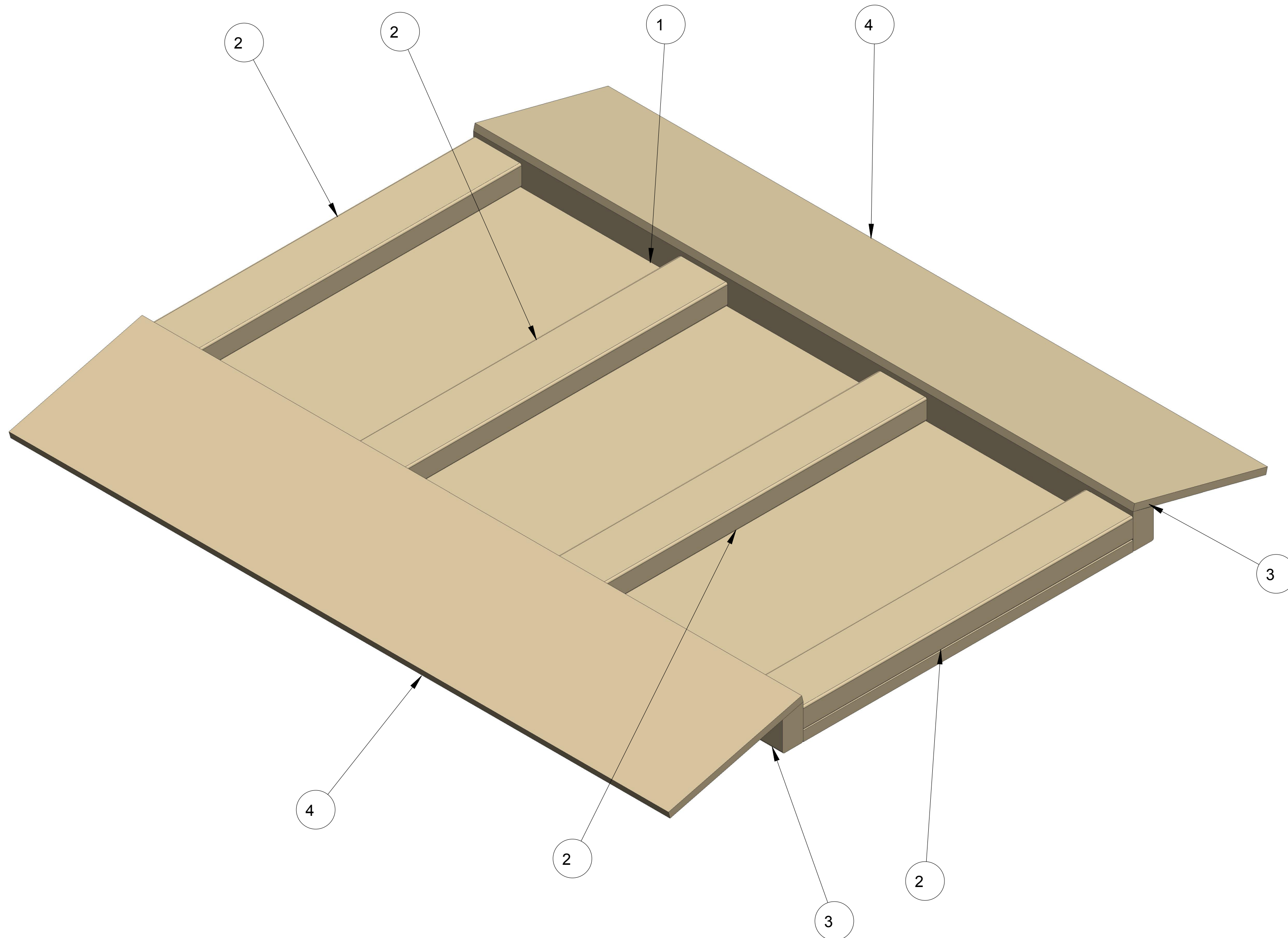


NOTE
 Part: TE-16006-11
 Material: 1.5" Wooden Dowel
 Qty: 1
 Scale: 1:8

	DRAWN BY	DATE
	CHECKED BY	DATE
	APPROVED BY	DATE
	SCALE 3:16 SHEET 7 OF 7	
TITLE: Team Hanging Bar		
PROJECT:		MODEL NAME: TE-16006
ISSUE:		ISSUE:

UNLESS OTHERWISE SPECIFIED ALL DIMENSIONS ARE IN INCHES.
 TOLERANCES ARE:
 XXX ± .01
 XXXX ± .001
 ANG ± .1

DO NOT SCALE



ITEM NO	PART NUMBER	QTY	DESCRIPTION	NOTES
1	TE-16010-01	1	TE-16010-01	3/4" Plywood
2	TE-16010-02	4	TE-16010-02	2x4 Lumber
3	TE-16010-03	2	TE-16010-03	2x4 Lumber
4	TE-16010-04	2	TE-16010-04	1/2" Plywood

	DRAWN BY	DATE
	CHECKED BY	DATE
<small>THIS DOCUMENT IS SUPPLIED IN CONFIDENCE. NO REPRODUCTION OF THIS DOCUMENT IN PART OR IN WHOLE OR THEREON OF THE ITEMS SHOWN MAY BE MADE WITHOUT THE COPYRIGHT OWNERS WRITTEN PERMISSION</small>	APPROVED BY	DATE
	SCALE 1:4	SHEET 1 OF 3
<small>UNLESS OTHERWISE SPECIFIED ALL DIMENSIONS ARE IN INCHES. TOLERANCES ARE: .XX ±0.1 X.XX ±0.01 X.XXX ±0.001 ANG ±0.1</small>		
DO NOT SCALE		
TITLE Team Defense Platform		
PROJECT	MODEL NAME TE-16010	ISSUE

MODEL NAME
TE-16010

TITLE
Team Defense Platform

D

C

B

A

1

2

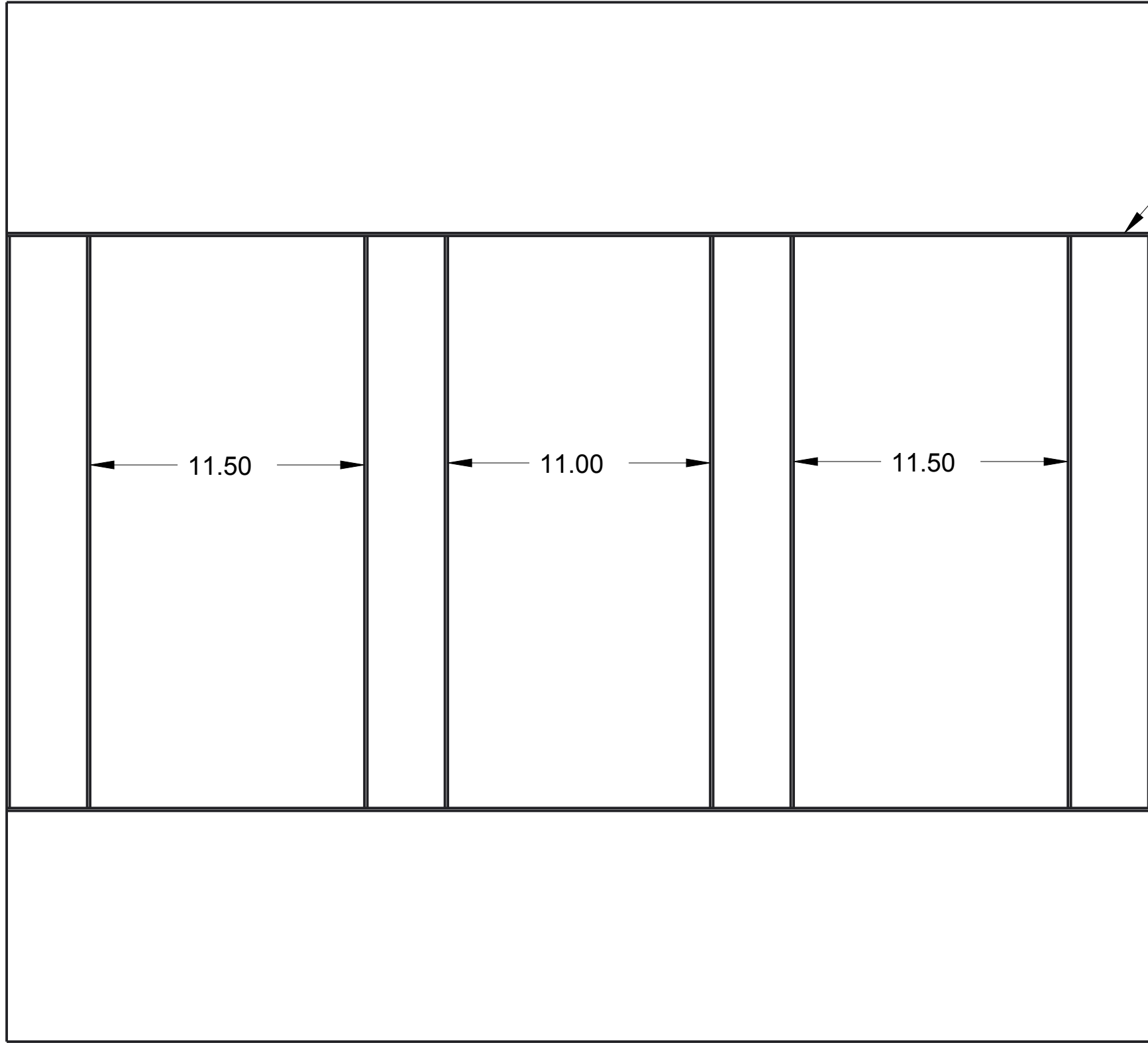
3

4



2.96

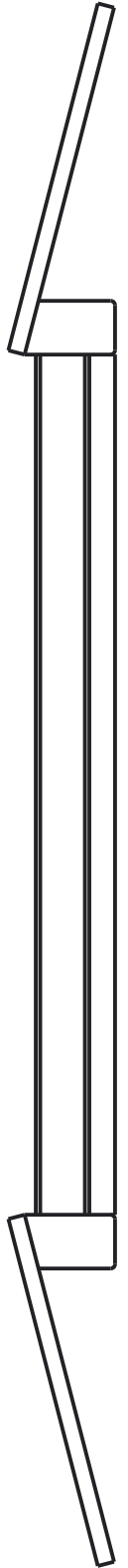
NOTE: Secure with wood screws and wood glue



11.50

11.00

11.50



D

C

B

A

1

2

3

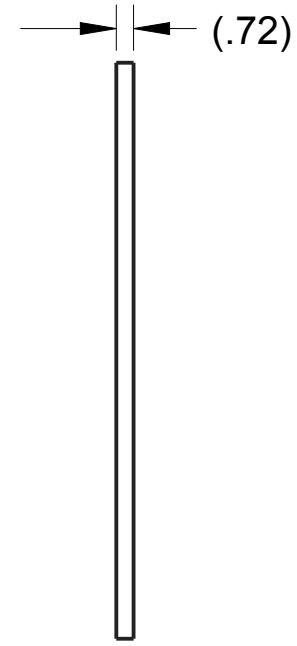
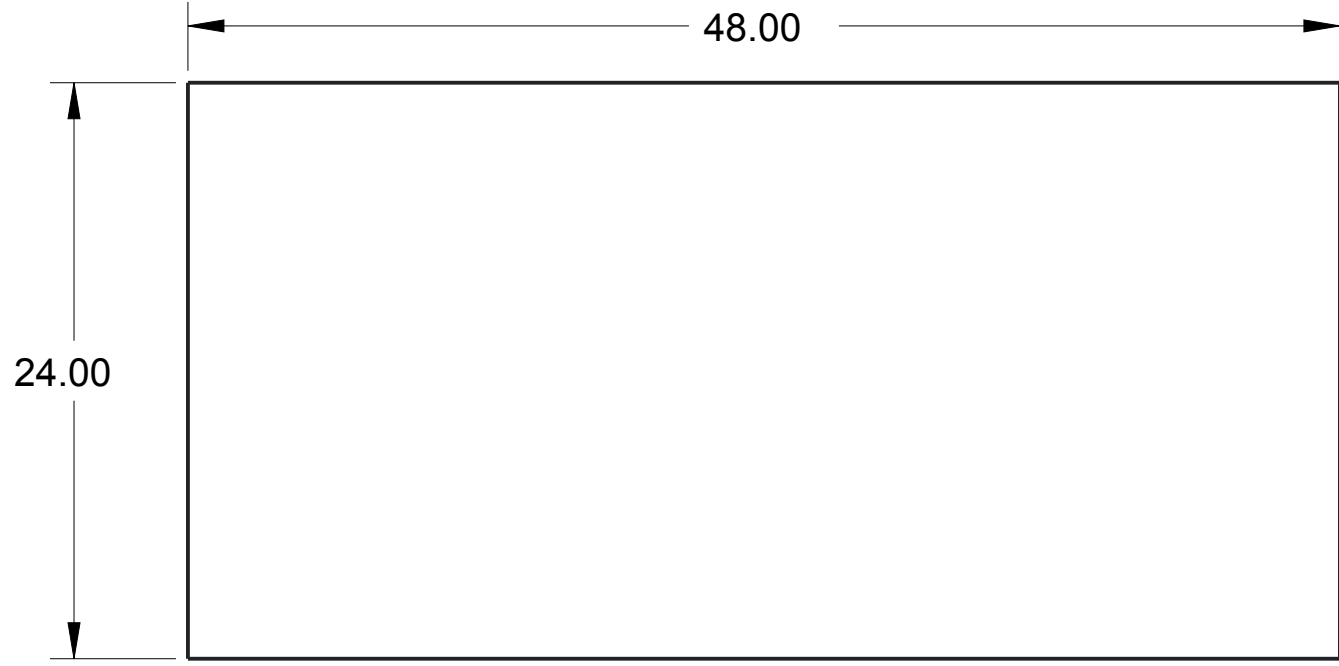
4

		DRAWN BY	DATE
		CHECKED BY	DATE
<small>UNLESS OTHERWISE SPECIFIED ALL DIMENSIONS ARE IN INCHES. TOLERANCES ARE: X.X +/- 0.1 X.XX +/- 0.01 X.XXX +/- 0.001 ANG +/- 1</small>	<small>THIS DOCUMENT IS SUPPLIED IN CONFIDENCE. NO REPRODUCTION OF THIS DOCUMENT IN PART OR IN WHOLE OR THEREON OF THE ITEMS SHOWN MAY BE MADE WITHOUT THE COPYRIGHT OWNERS WRITTEN PERMISSION</small>	APPROVED BY	DATE
		SCALE 1:4 SHEET 2 OF 3	
TITLE Team Defense Platform		PROJECT	MODEL NAME TE-16010
DO NOT SCALE			ISSUE

MODEL NAME
TE-16010

TITLE
Team Defense Platform

D

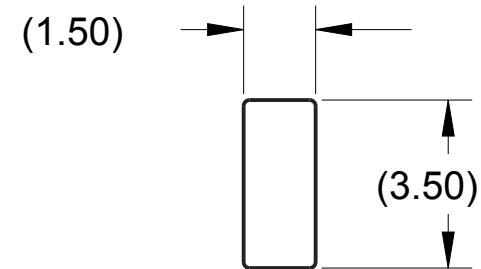
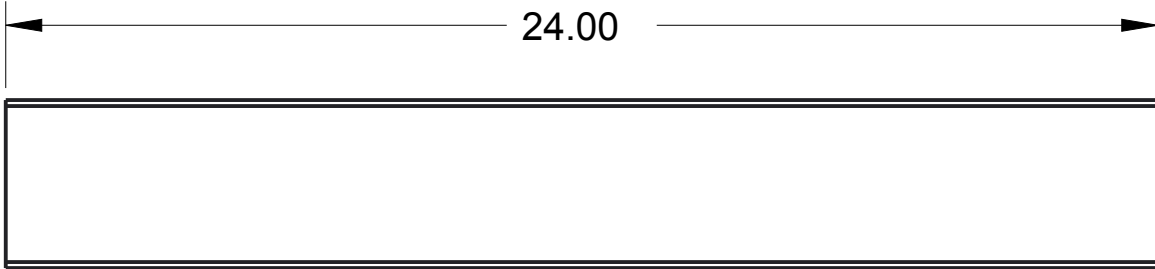


NOTE

Part: TE-16010-01
 Material: 3/4" Plywood (23/32")
 Qty: 1
 Scale: 1:8

D

C

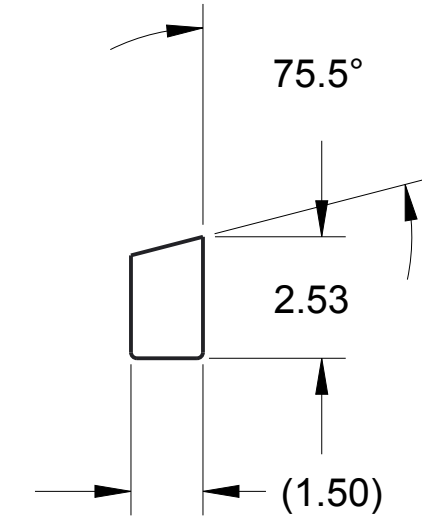
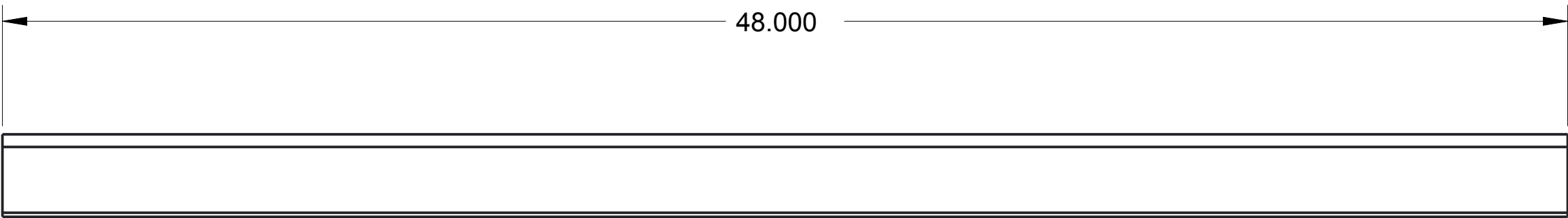


NOTE

Part: TE-16010-02
 Material: 2x4 Lumber
 Qty: 4
 Scale: 1:4

C

B

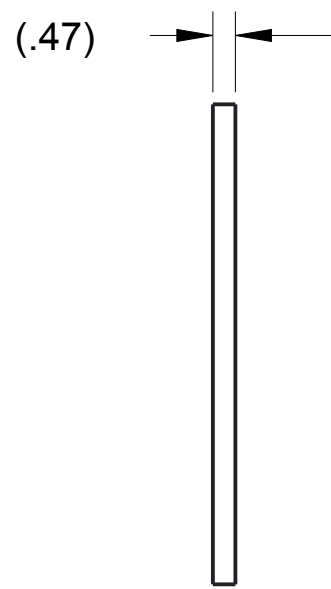
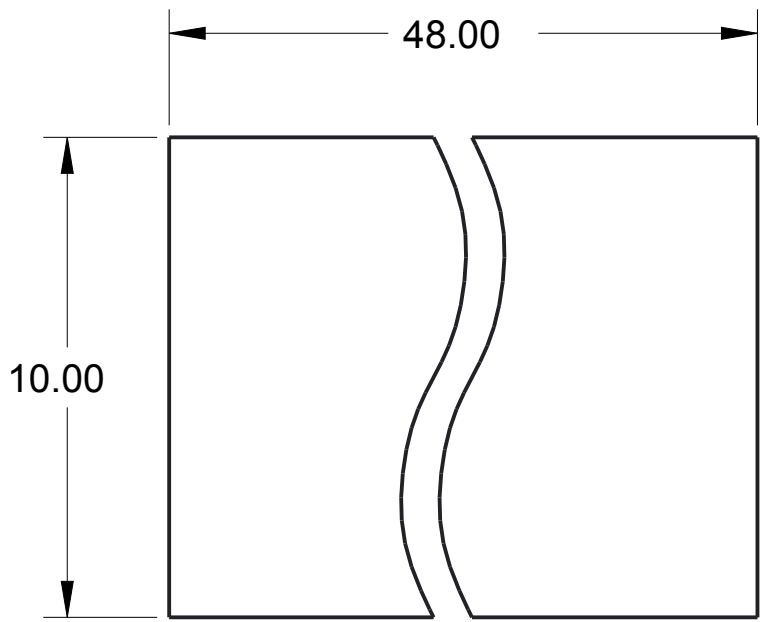


NOTE

Part: TE-16010-03
 Material: 2x4 Lumber
 Qty: 2
 Scale: 1:4

B

A



NOTE

Part: TE-16010-02
 Material: 1/2" Plywood (15/32")
 Qty: 2
 Scale: 1:4

A

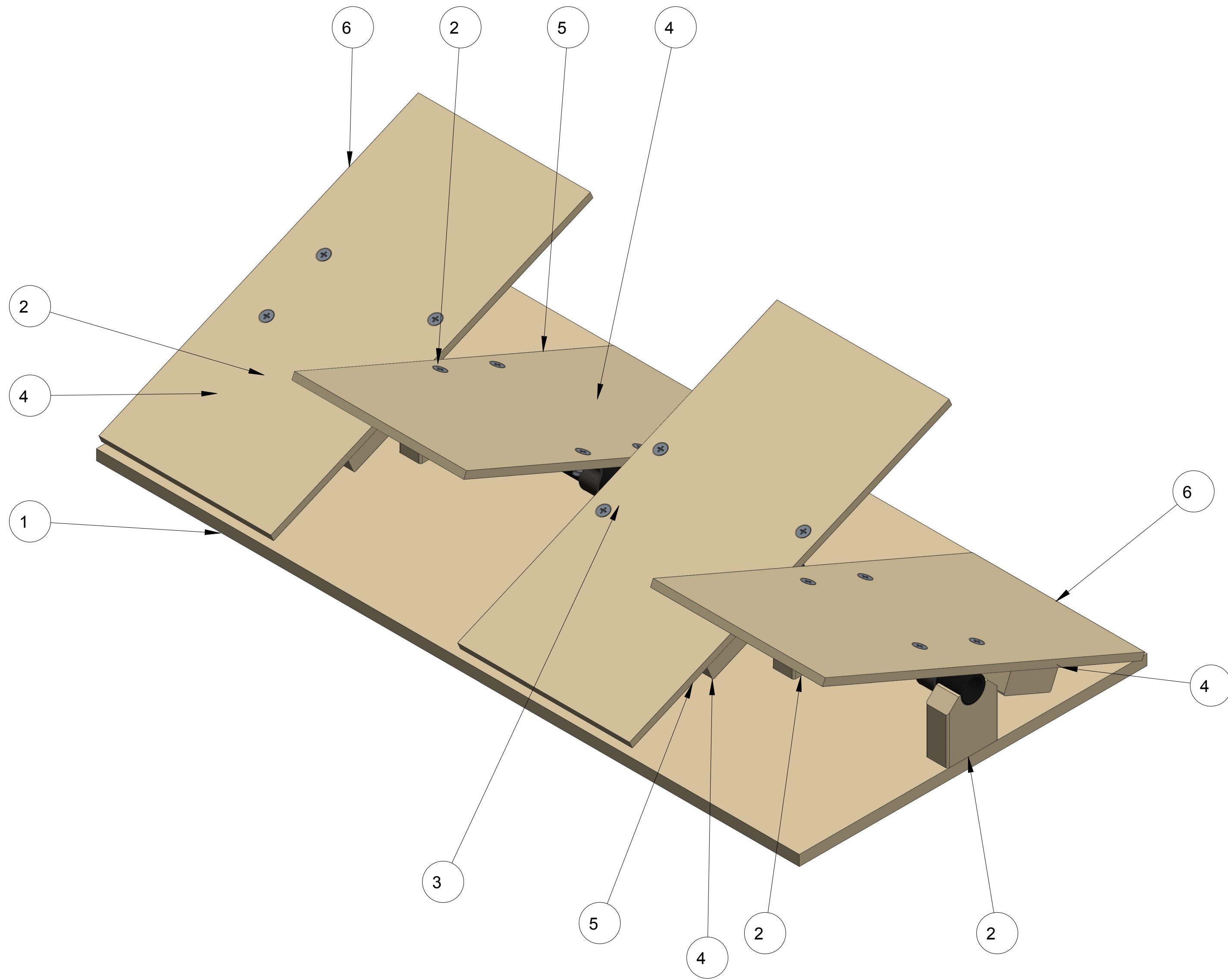
		DRAWN BY	DATE
		CHECKED BY	DATE
<small>THIS DOCUMENT IS SUPPLIED IN CONFIDENCE. NO REPRODUCTION OF THIS DOCUMENT IN PART OR IN WHOLE OR THEREON OF THE ITEMS SHOWN MAY BE MADE WITHOUT THE COPYRIGHT OWNERS WRITTEN PERMISSION</small>		APPROVED BY	DATE
<small>UNLESS OTHERWISE SPECIFIED ALL DIMENSIONS ARE IN INCHES. TOLERANCES ARE: .XX ±0.1 .XXX ±0.01 X.XXX ±0.001 ANG ±1</small>		SCALE 1:4	SHEET 3 OF 3
DO NOT SCALE		TITLE Team Defense Platform	
		PROJECT	MODEL NAME TE-16010
		ISSUE	

1

2

3

4



ITEM NO	PART NUMBER	QTY	DESCRIPTION	NOTES
1	TE-16025-01	1	te-16025-01.prt	3/4" Plywood
2	TE-16025-02	4	te-16025-02.prt	2x4 Lumber
3	TE-16025-03	1	te-16025-03.prt	1.25" Black Iron Pipe
4	TE-16025-06	4	te-16025-02.prt	2x4 Lumber
5	TE-16026	2	te-16026.asm	See Page 2
6	TE-16027	2	te-16027.asm	See Page 2

	DRAWN BY	DATE
	CHECKED BY	DATE
<small>THIS DOCUMENT IS SUPPLIED IN CONFIDENCE. NO REPRODUCTION OF THIS DOCUMENT IN PART OR IN WHOLE OR THEREON OF THE ITEMS SHOWN MAY BE MADE WITHOUT THE COPYRIGHT OWNERS WRITTEN PERMISSION</small>	APPROVED BY	DATE
	SCALE 1:4	SHEET 1 OF 7
TITLE: Team Cheval De Frise		
PROJECT	MODEL NAME: TE-16025	ISSUE

UNLESS OTHERWISE SPECIFIED ALL DIMENSIONS ARE IN INCHES.
 TOLERANCES ARE:
 .XX +/- 0.1
 .XXX +/- 0.01
 X.XXX +/- 0.001
 ANG +/- .1
DO NOT SCALE

D

D

C

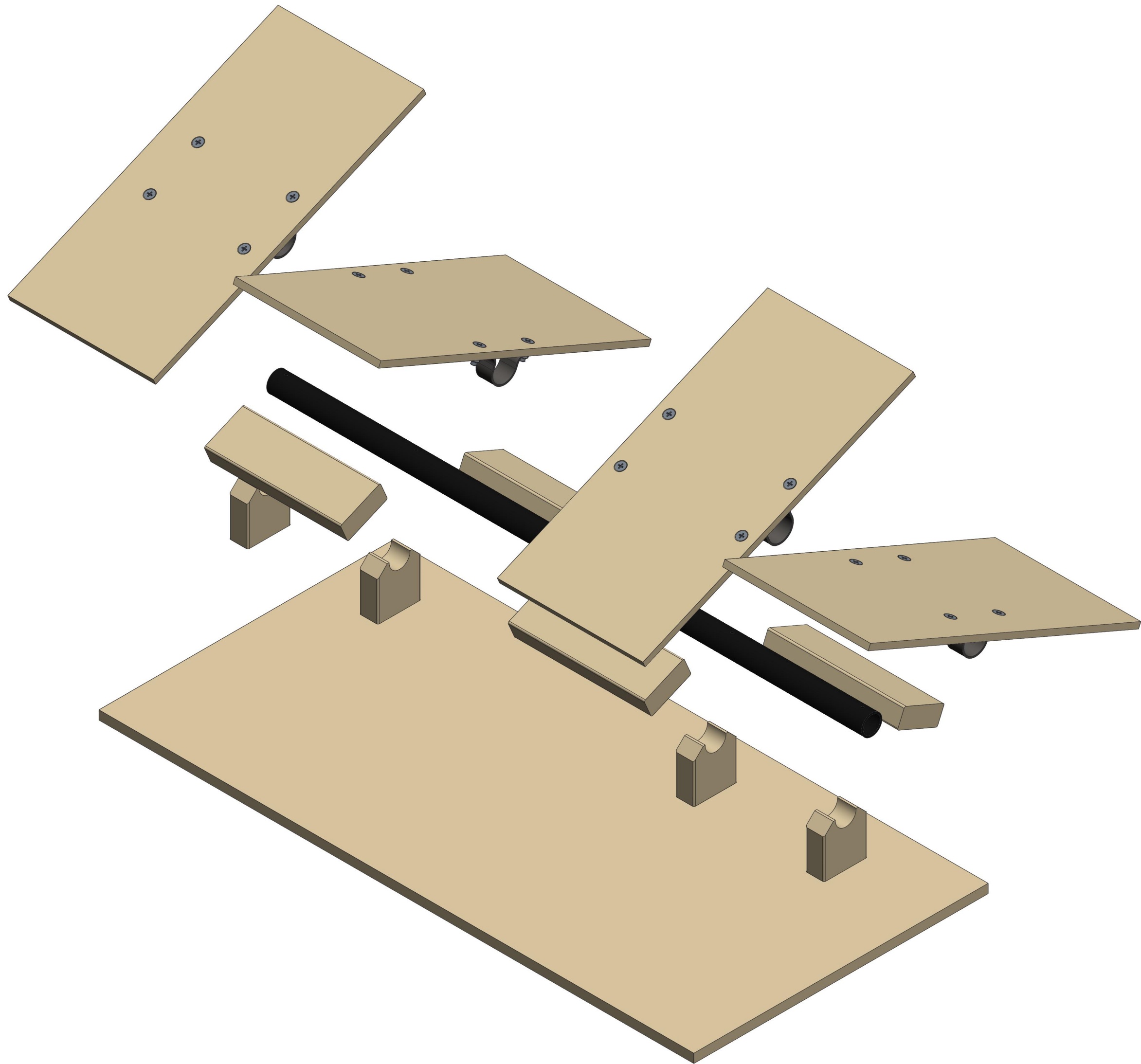
C

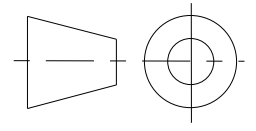

B

B

A

A



		DRAWN BY	DATE
		CHECKED BY	DATE
<small>THIS DOCUMENT IS SUPPLIED IN CONFIDENCE. NO REPRODUCTION OF THIS DOCUMENT IN PART OR IN WHOLE OR THEREON OF THE ITEMS SHOWN MAY BE MADE WITHOUT THE COPYRIGHT OWNERS WRITTEN PERMISSION</small>		APPROVED BY	DATE
<small>UNLESS OTHERWISE SPECIFIED ALL DIMENSIONS ARE IN INCHES. TOLERANCES ARE: X.X +/- 0.1 X.XX +/- 0.01 X.XXX +/- 0.001 ANG +/- 1</small>		SCALE 1:4	SHEET 2 OF 7
DO NOT SCALE		Team Cheval De Frise	
PROJECT		MODEL NAME TE-16025	ISSUE

1

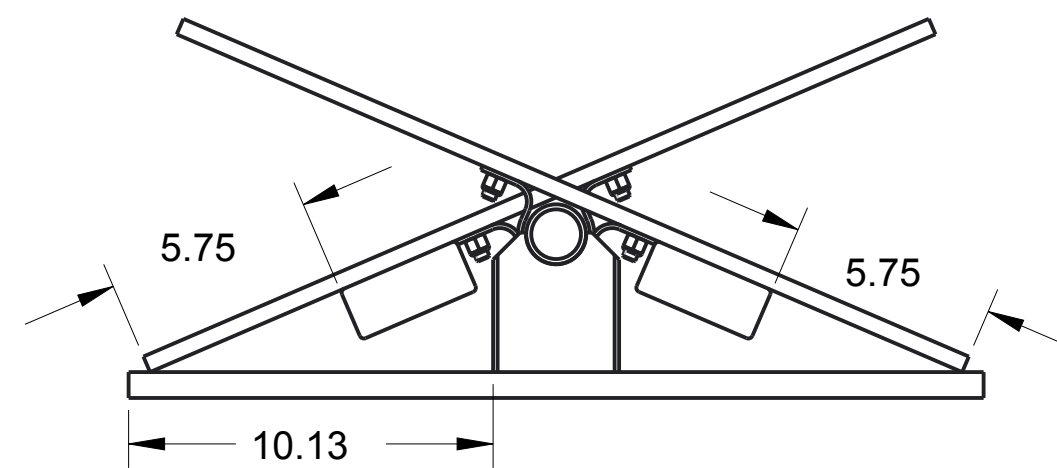
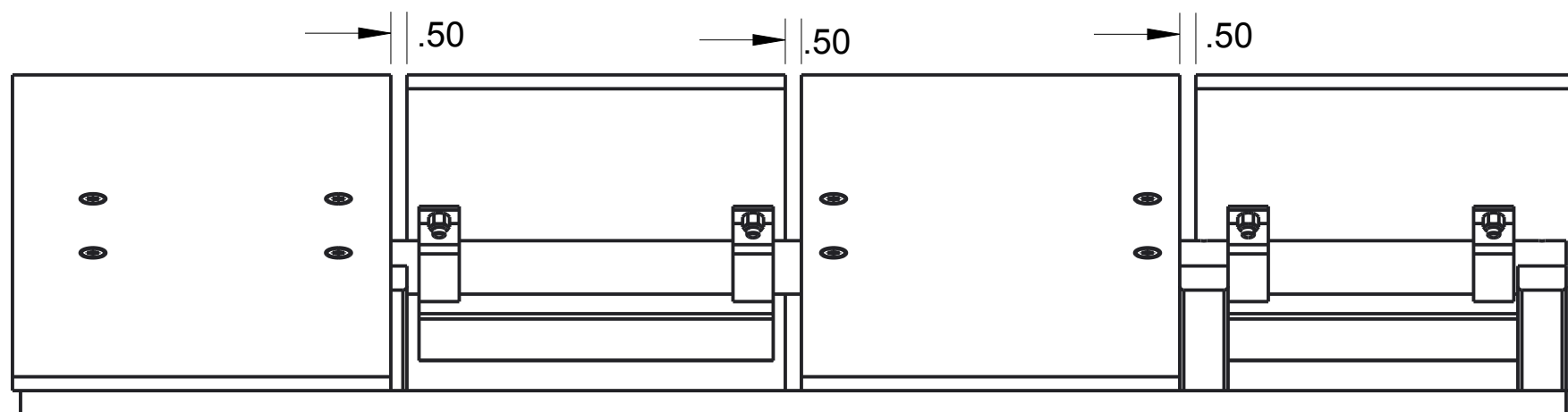
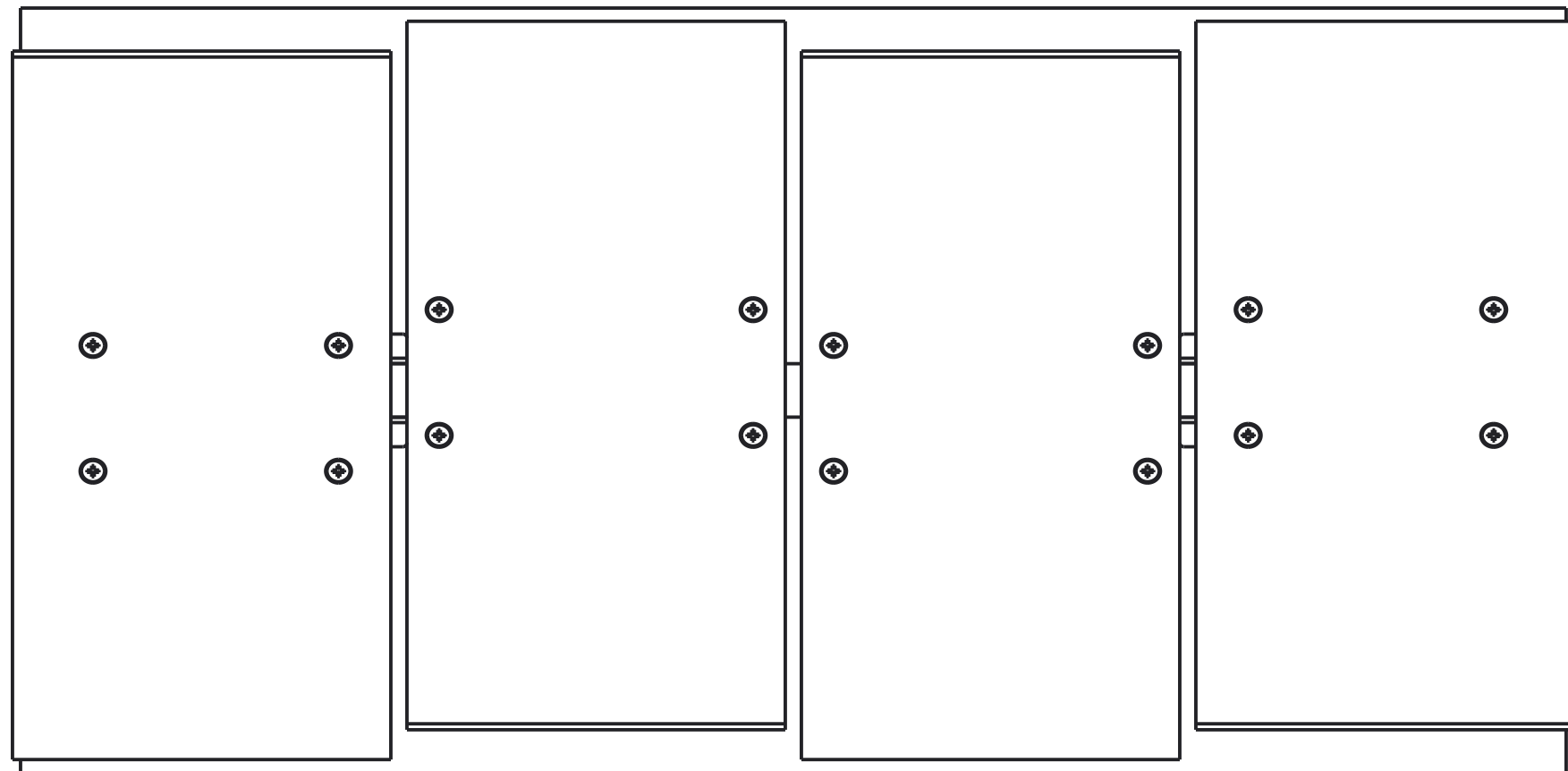
2

3

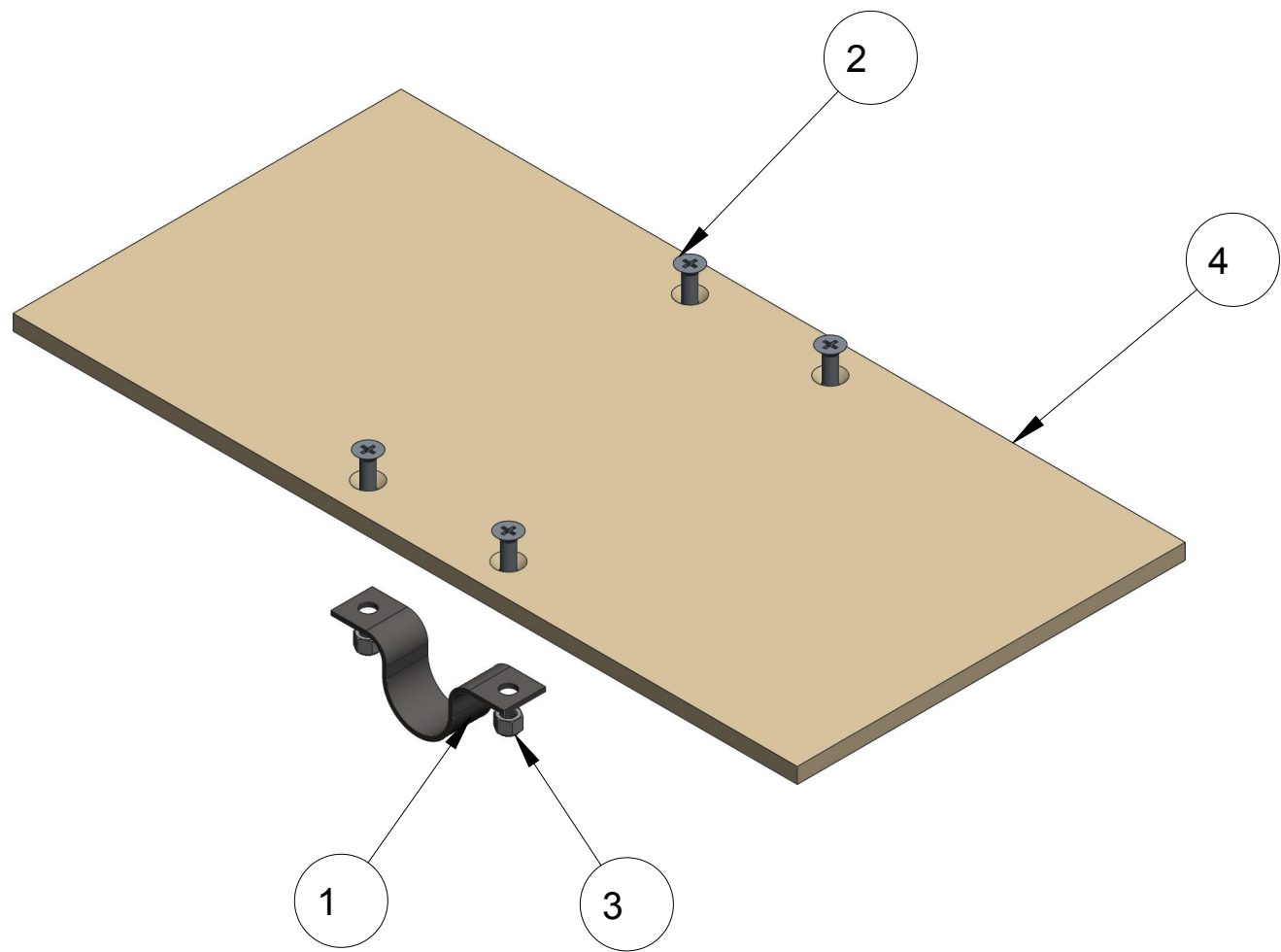
4

MODEL NAME
TE-16025

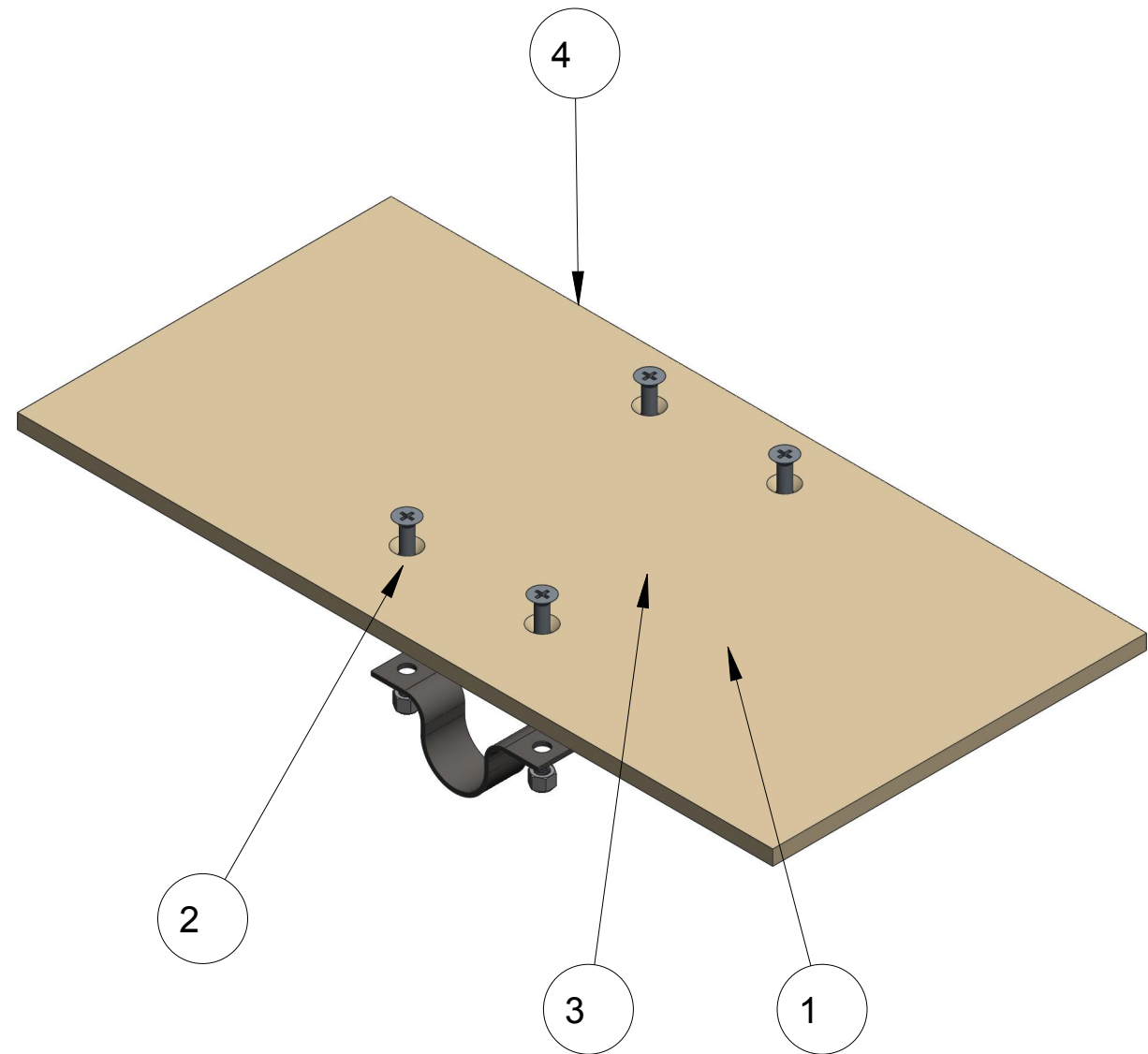
TITLE
Team Cheval De Frise



		DRAWN BY	DATE
		CHECKED BY	DATE
		APPROVED BY	DATE
<small>THIS DOCUMENT IS SUPPLIED IN CONFIDENCE. NO REPRODUCTION OF THIS DOCUMENT IN PART OR IN WHOLE OR THEREON OF THE ITEMS SHOWN MAY BE MADE WITHOUT THE COPYRIGHT OWNERS WRITTEN PERMISSION</small>		SCALE 1:4	SHEET 3 OF 7
TITLE Team Cheval De Frise			
PROJECT		MODEL NAME TE-16025	ISSUE
UNLESS OTHERWISE SPECIFIED ALL DIMENSIONS ARE IN INCHES. TOLERANCES ARE: .XX ±0.1 .XXX ±0.01 X.XXX ±0.001 ANG ±0.1 DO NOT SCALE			



ITEM NO	PART NUMBER	QTY	DESCRIPTION	NOTES
1	GE-16179	2	pipe clamp, cheval de frise	
2	HW-00096	4	flat head screw, 3/8-16 x 1.25"	
3	HW-00097	4	nut, nylock 3/8-16	
4	TE-16026-01	1	te-16026-01.prt	1/2" Plywood



ITEM NO	PART NUMBER	QTY	DESCRIPTION	NOTES
1	GE-16179	2	pipe clamp, cheval de frise	
2	HW-00096	4	flat head screw, 3/8-16 x 1.25"	
3	HW-00097	4	nut, nylock 3/8-16	
4	TE-16027-01	1	te-16027-01.prt	1/2" Plywood

		DRAWN BY	DATE
		CHECKED BY	DATE
		APPROVED BY	DATE
<small>THIS DOCUMENT IS SUPPLIED IN CONFIDENCE. NO REPRODUCTION OF THIS DOCUMENT IN PART OR IN WHOLE OR THEREON OF THE ITEMS SHOWN MAY BE MADE WITHOUT THE COPYRIGHT OWNERS WRITTEN PERMISSION</small>		SCALE 1:4	SHEET 4 OF 7
TITLE: Team Cheval De Frise			
PROJECT:		MODEL NAME: TE-16025	ISSUE:
DO NOT SCALE			

D
C
B
A

D
C
B
A

1 1 1 1

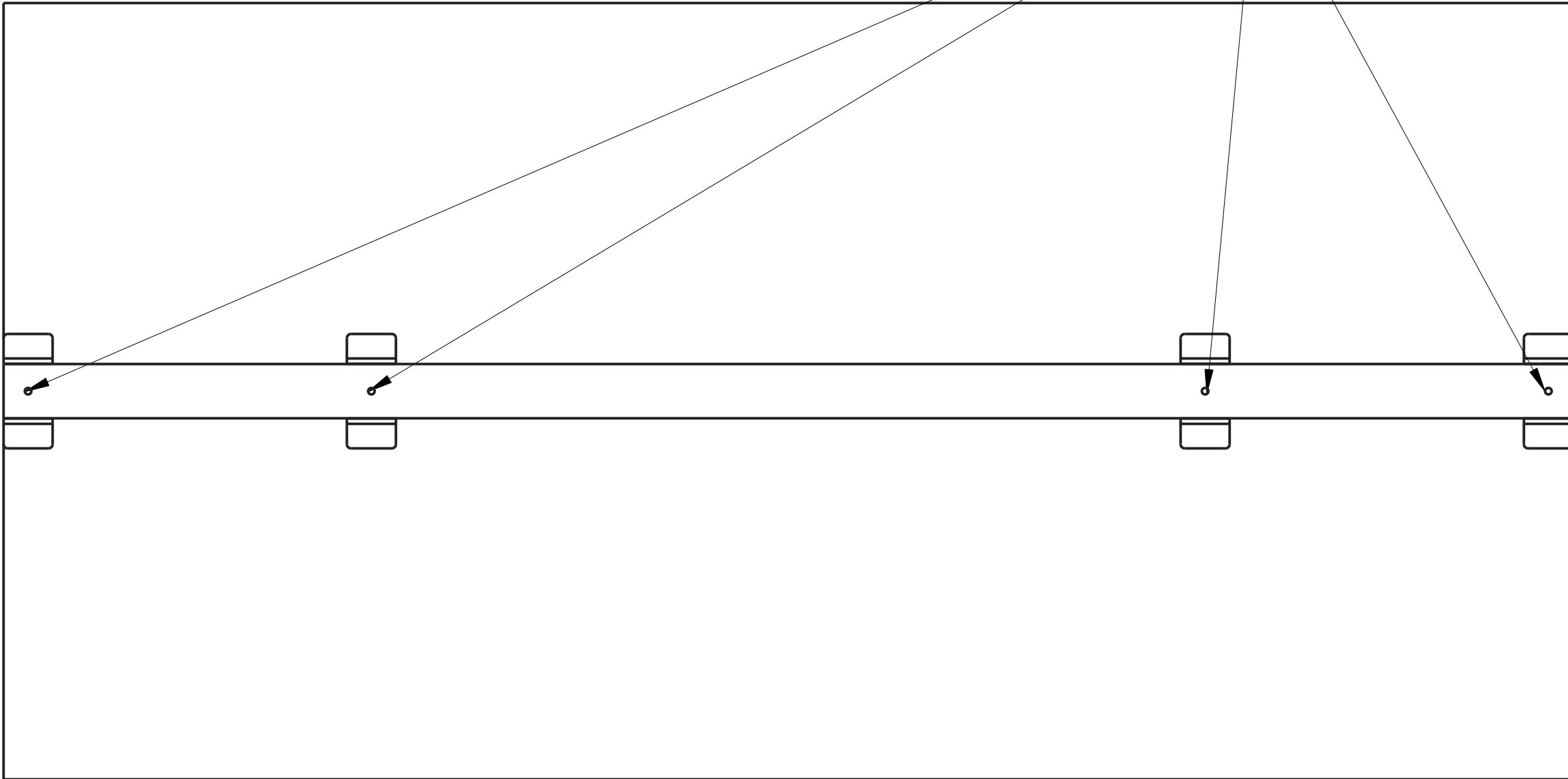
2 2 2 2

3 3 3 3

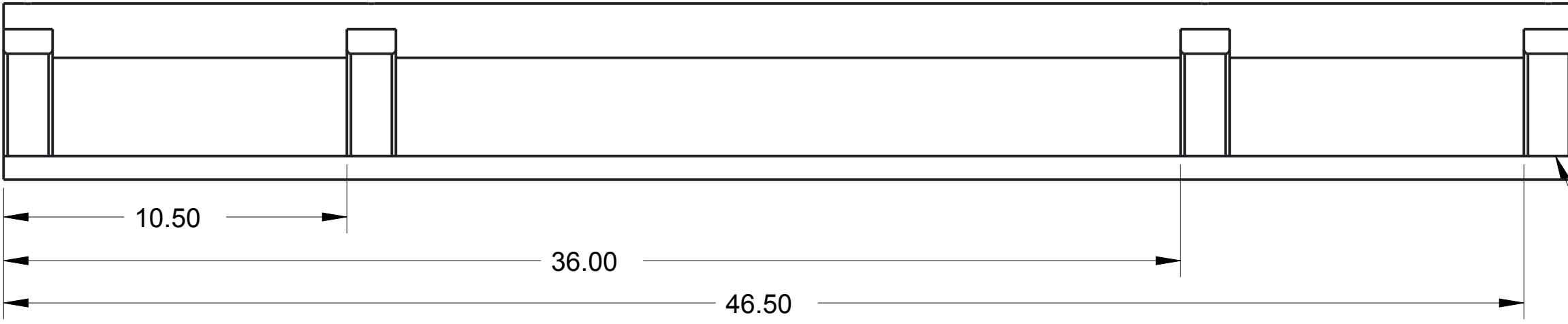
4 4 4 4

MODEL NAME
TE-16025

TITLE
Team Cheval De Frise



10.13



NOTE: Secure with wood screws and wood glue.

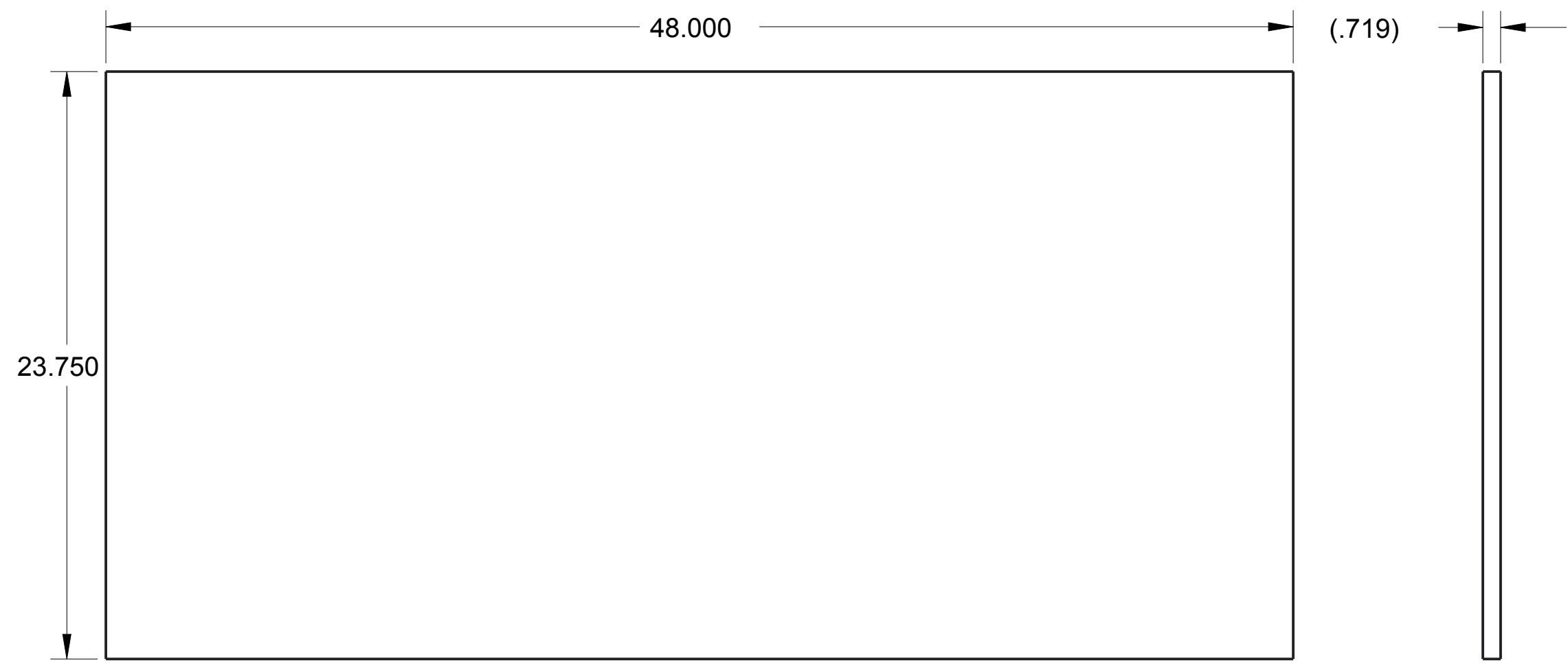
		DRAWN BY	DATE
		CHECKED BY	DATE
		APPROVED BY	DATE
<small>THIS DOCUMENT IS SUPPLIED IN CONFIDENCE. NO REPRODUCTION OF THIS DOCUMENT IN PART OR IN WHOLE OR THEREON OF THE ITEMS SHOWN MAY BE MADE WITHOUT THE COPYRIGHT OWNERS WRITTEN PERMISSION</small>		SCALE 1:4	SHEET 5 OF 7
TITLE Team Cheval De Frise			
PROJECT		MODEL NAME TE-16025	ISSUE
UNLESS OTHERWISE SPECIFIED ALL DIMENSIONS ARE IN INCHES. TOLERANCES ARE: .XX ±0.1 .XXX ±0.01 .XXX ±0.001 ANG ±.1 DO NOT SCALE			

D

D

C

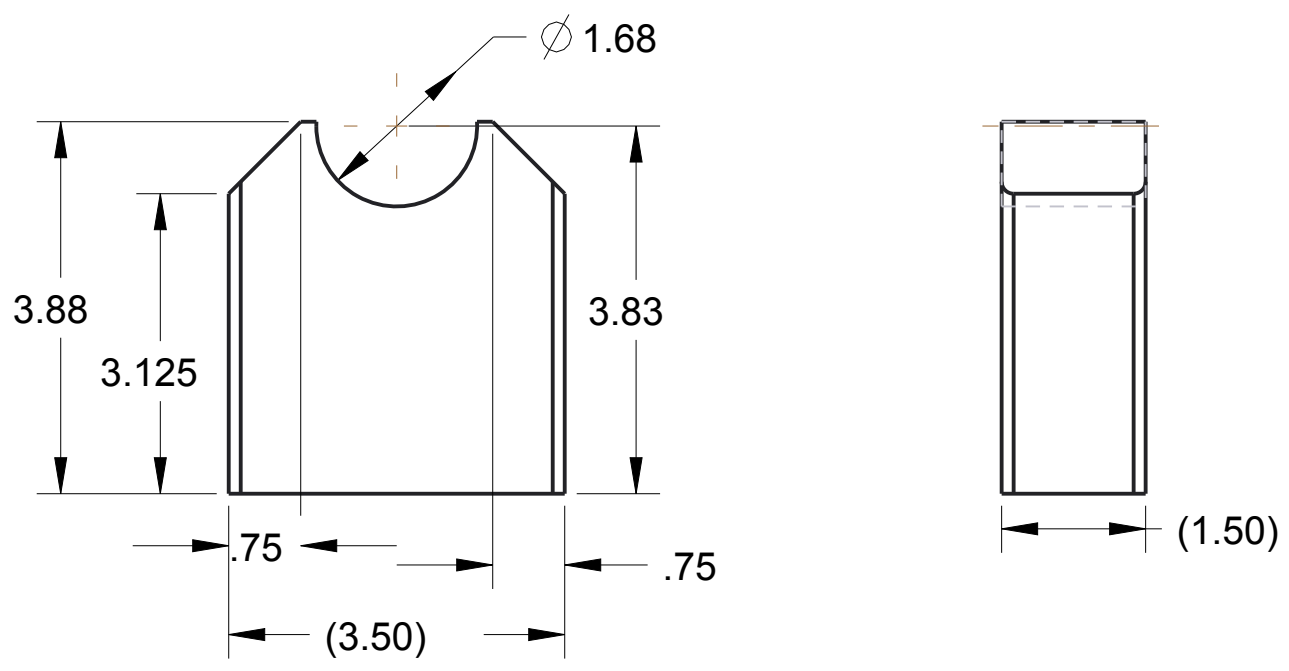
C



NOTE
 Part: TE-16025-01
 Material: 3/4" Plywood (23/32")
 Qty: 1
 Scale: 3:16

B

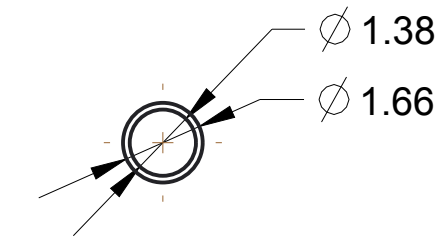
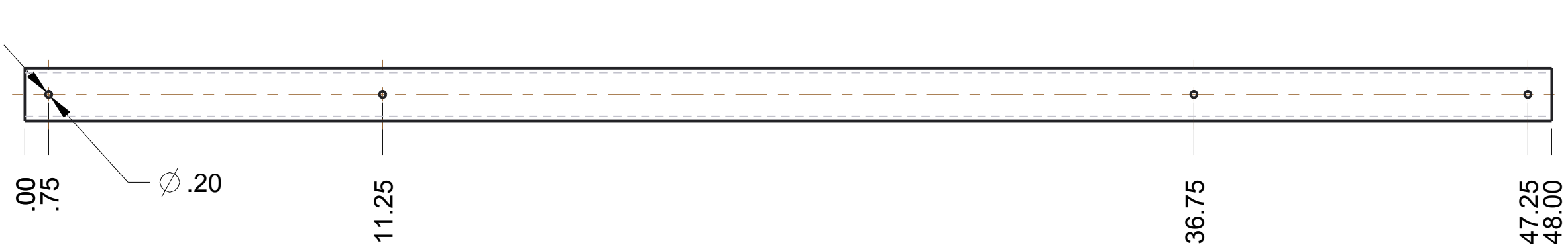
B



NOTE
 Part: TE-16025-02
 Material: 2x4 Lumber
 Qty: 4
 Scale: 1:4

A

A



NOTE
 Part: TE-16025-03
 Material: 1.25" Black Iron Pipe
 Qty: 1
 Scale: 1:4

		DRAWN BY	DATE
		CHECKED BY	DATE
<small>THIS DOCUMENT IS SUPPLIED IN CONFIDENCE. NO REPRODUCTION OF THIS DOCUMENT IN PART OR IN WHOLE OR THEREON OF THE ITEMS SHOWN MAY BE MADE WITHOUT THE COPYRIGHT OWNERS WRITTEN PERMISSION</small>		APPROVED BY	DATE
TITLE: Team Cheval De Frise		SCALE 1:4	SHEET 6 OF 7
<small>UNLESS OTHERWISE SPECIFIED ALL DIMENSIONS ARE IN INCHES. TOLERANCES ARE: .XX +/- 0.1 .XXX +/- 0.01 X.XXX +/- 0.001 ANG +/- .1</small>		PROJECT	MODEL NAME: TE-16025
DO NOT SCALE		ISSUE	

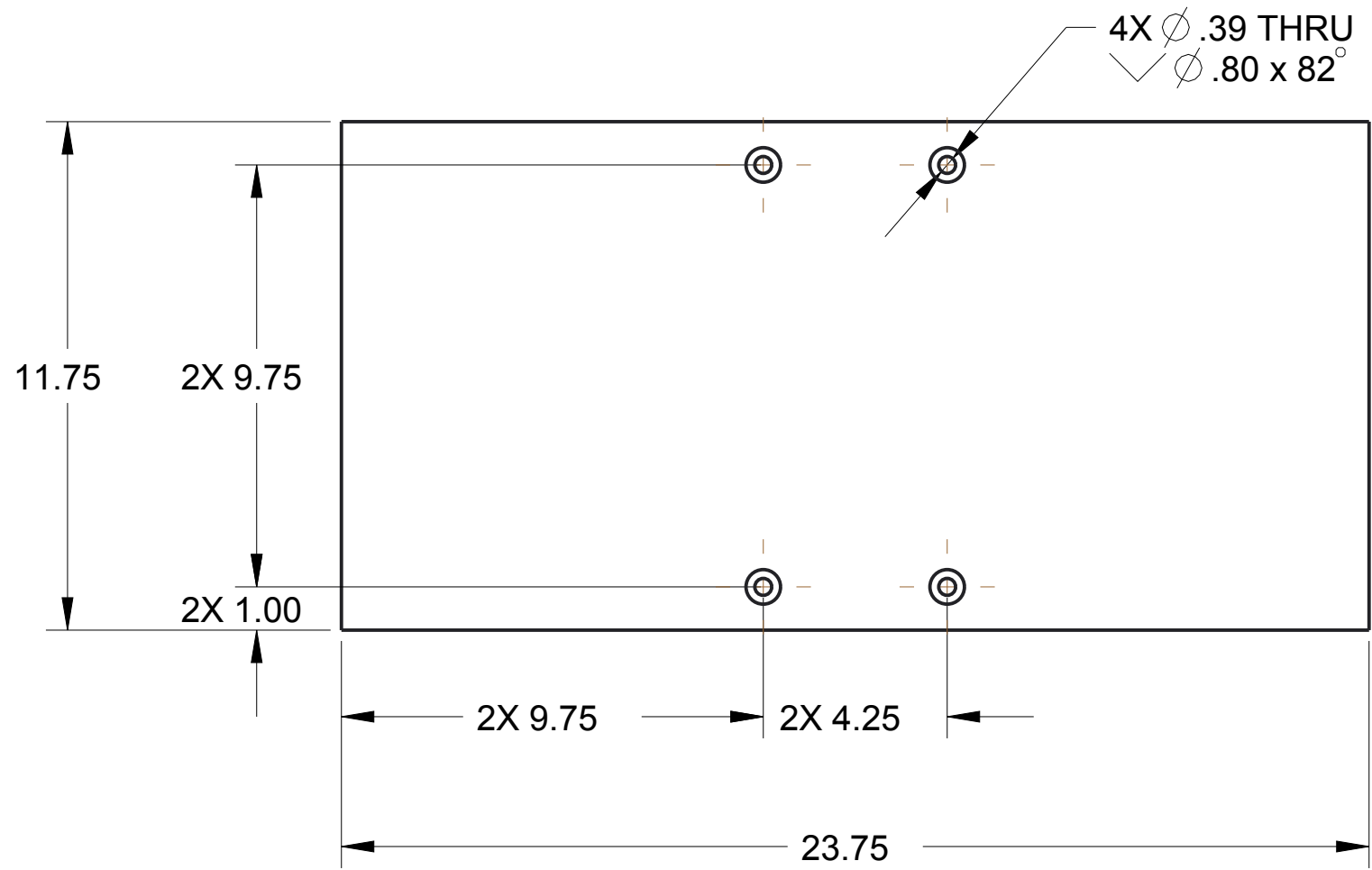
1

2

3

4

D



NOTE

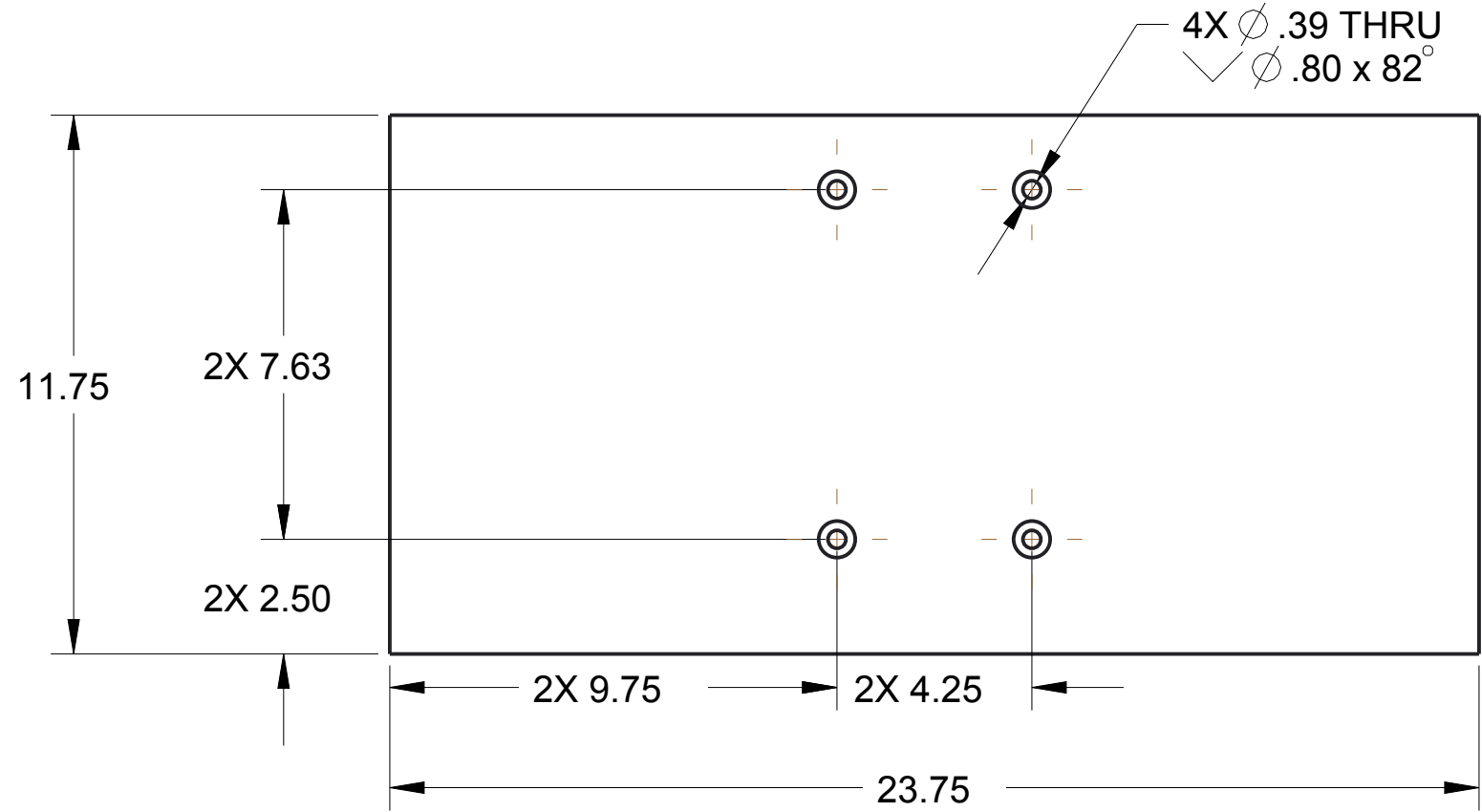
Part: TE-16026-01
 Material: 1/2" Plywood (15/32")
 Qty: 2
 Scale: 1:4

C

D

C

B

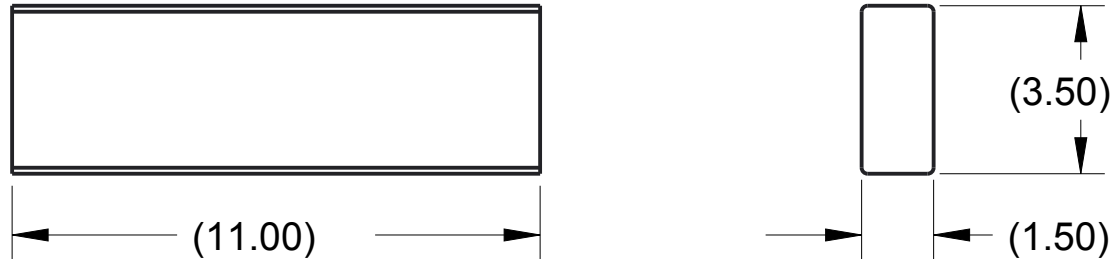


NOTE

Part: TE-16027-01
 Material: 1/2" Plywood (15/32")
 Qty: 2
 Scale: 1:4

B

A



NOTE

Part: TE-16025-06
 Material: 2x4 Lumber
 Qty: 4
 Scale: 1:4

A

	DRAWN BY	DATE
	CHECKED BY	DATE
	APPROVED BY	DATE
<small>THIS DOCUMENT IS SUPPLIED IN CONFIDENCE. NO REPRODUCTION OF THIS DOCUMENT IN PART OR IN WHOLE OR THEREON OF THE ITEMS SHOWN MAY BE MADE WITHOUT THE COPYRIGHT OWNERS WRITTEN PERMISSION</small>		SCALE 1:4 SHEET 7 OF 7
TITLE: Team Cheval De Frise		
PROJECT		MODEL NAME: TE-16025
ISSUE		

UNLESS OTHERWISE SPECIFIED ALL DIMENSIONS ARE IN INCHES.
 TOLERANCES ARE:
 .XX ±0.1
 .XXX ±0.01
 .XXXX ±0.001
 ANG ±1°

DO NOT SCALE

1

2

3

4

D

D

C

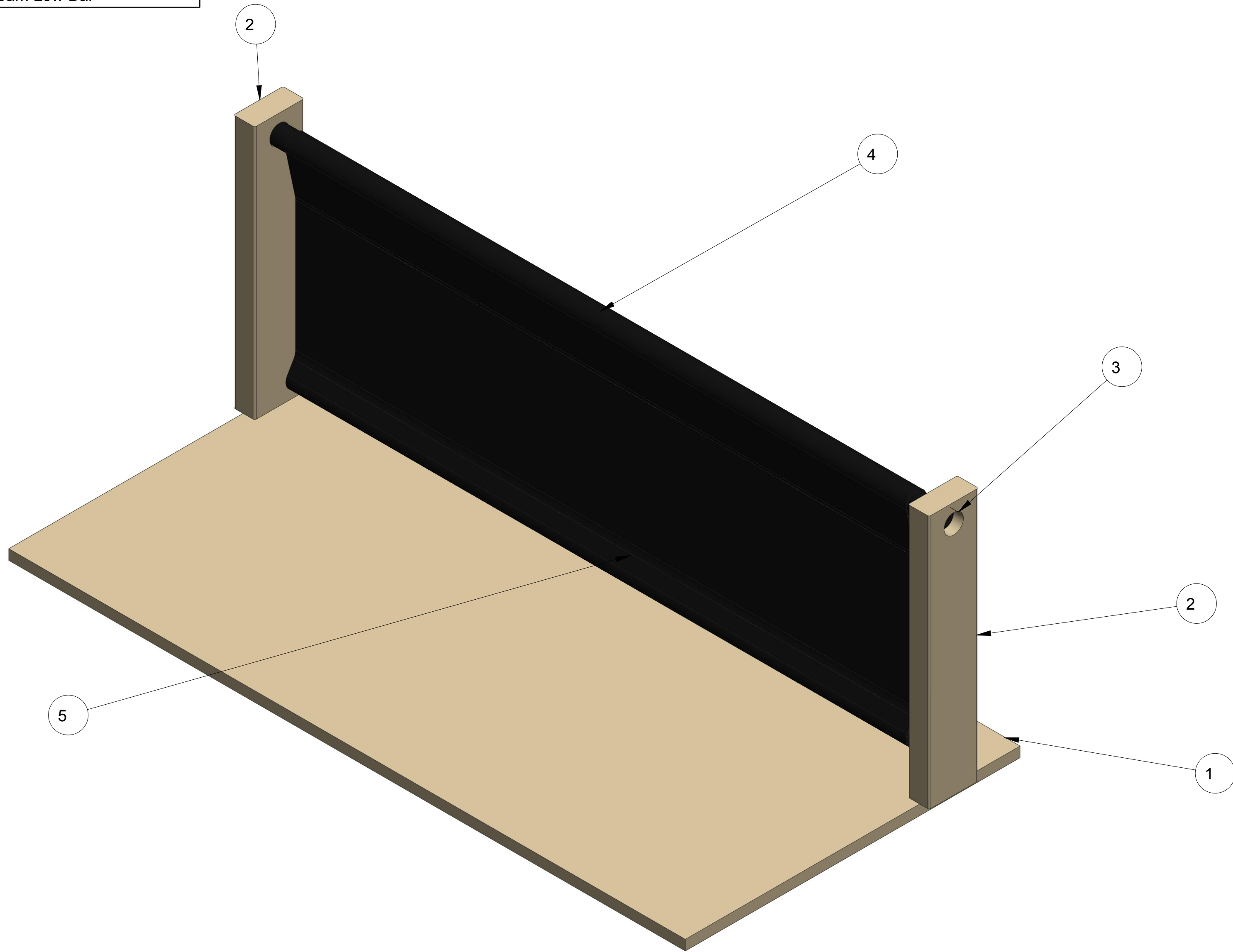
C

B

B

A

A



ITEM NO	PART NUMBER	QTY	DESCRIPTION	NOTES
1	TE-16029-01	1	te low bar base	3/4" Plywood
2	TE-16029-02	2	te low bar upright	2x4 Lumber
3	TE-16029-03	1	te low bar cross bar	1" Black Iron Pipe
4	TE-16029-04	1	te low bar flap	Cordura Fabric
5	TE-16029-05	1	te low bar weight	1" Black Iron Pipe

	DRAWN BY	DATE
	CHECKED BY	DATE
<small>THIS DOCUMENT IS SUPPLIED IN CONFIDENCE. NO REPRODUCTION OF THIS DOCUMENT IN PART OR IN WHOLE OR THEREON OF THE ITEMS SHOWN MAY BE MADE WITHOUT THE COPYRIGHT OWNERS WRITTEN PERMISSION</small>	APPROVED BY	DATE
	SCALE 1:4	SHEET 1 OF 4
TITLE Team Low Bar		
PROJECT	MODEL NAME TE-16029	ISSUE

UNLESS OTHERWISE SPECIFIED ALL DIMENSIONS ARE IN INCHES.
TOLERANCES ARE:
X.X +/- 0.1
X.XX +/- 0.01
X.XXX +/- 0.001
ANG +/- 1

DO NOT SCALE

1

2

3

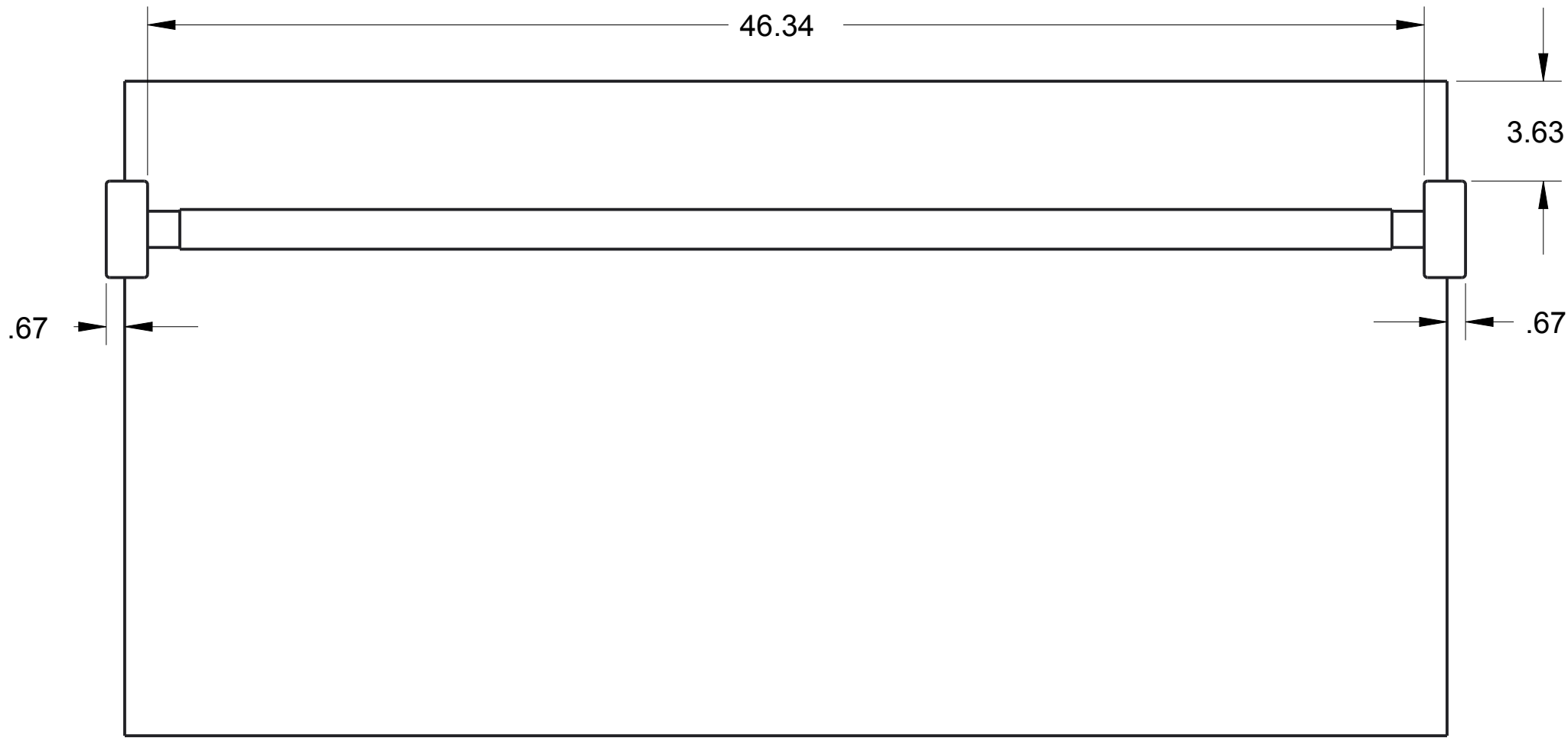
4

MODEL NAME
TE-16029

TITLE
Team Low Bar

D

D

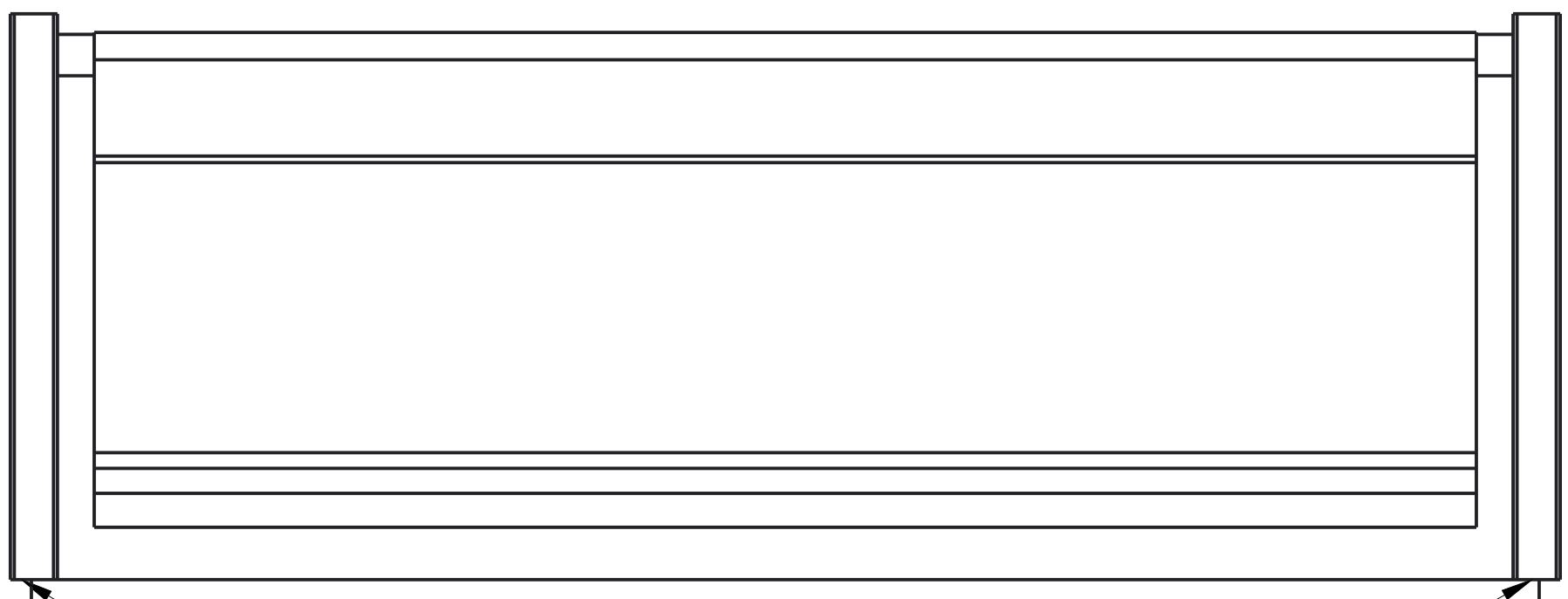


C

C

B

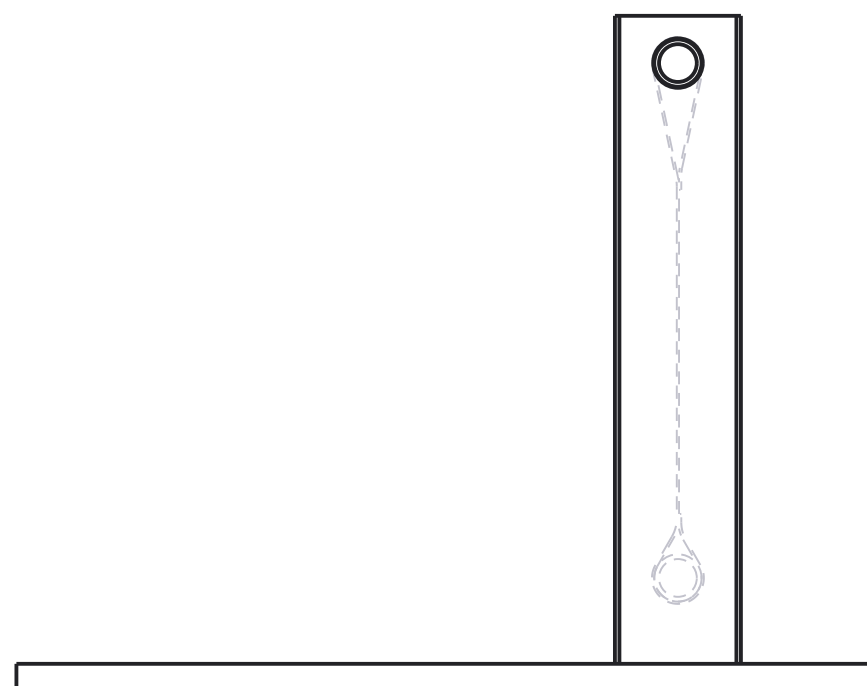
B



A

A

NOTE: Secure with wood screws and wood glue



		DRAWN BY	DATE
		CHECKED BY	DATE
		APPROVED BY	DATE
<small>THIS DOCUMENT IS SUPPLIED IN CONFIDENCE. NO REPRODUCTION OF THIS DOCUMENT IN PART OR IN WHOLE OR THEREON OF THE ITEMS SHOWN MAY BE MADE WITHOUT THE COPYRIGHT OWNERS WRITTEN PERMISSION</small>		SCALE 1:4	SHEET 2 OF 4
UNLESS OTHERWISE SPECIFIED ALL DIMENSIONS ARE IN INCHES. TOLERANCES ARE: .XX +/- 0.1 .XXX +/- 0.01 X.XXX +/- 0.001 ANG +/- 1		TITLE Team Low Bar	
DO NOT SCALE		PROJECT	MODEL NAME TE-16029
			ISSUE

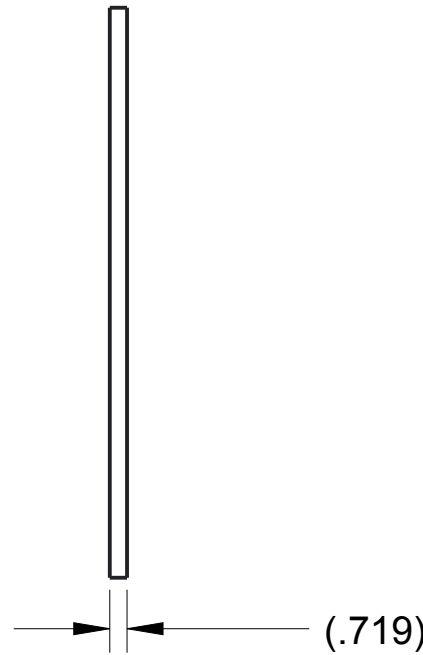
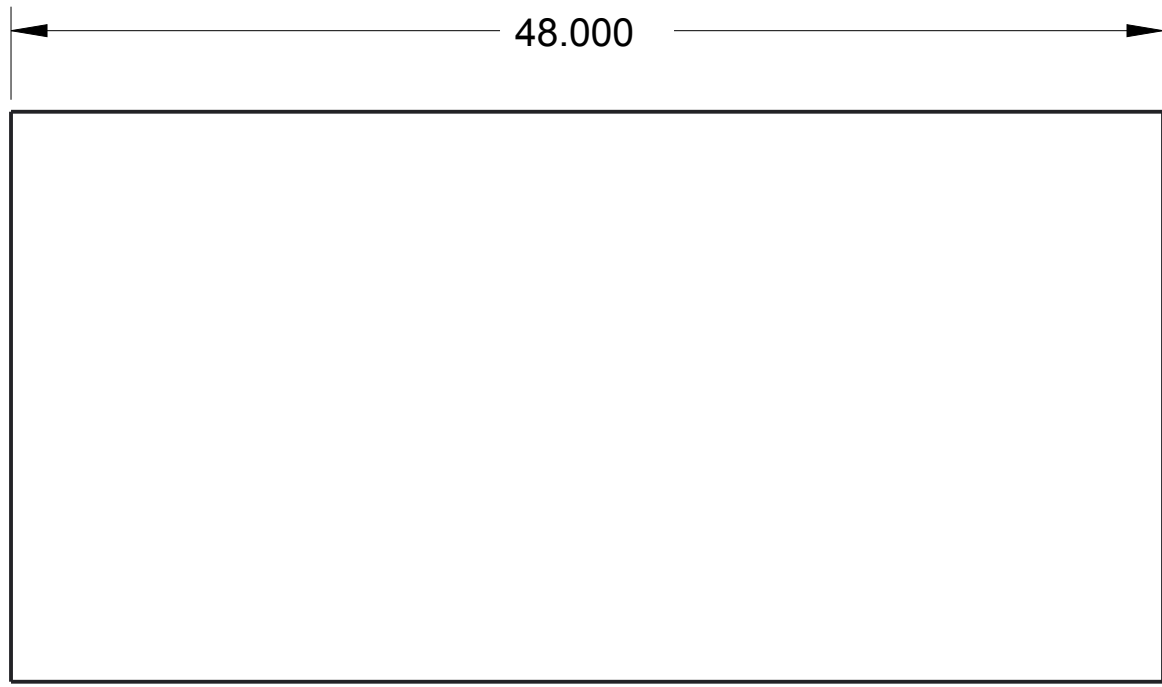
1

2

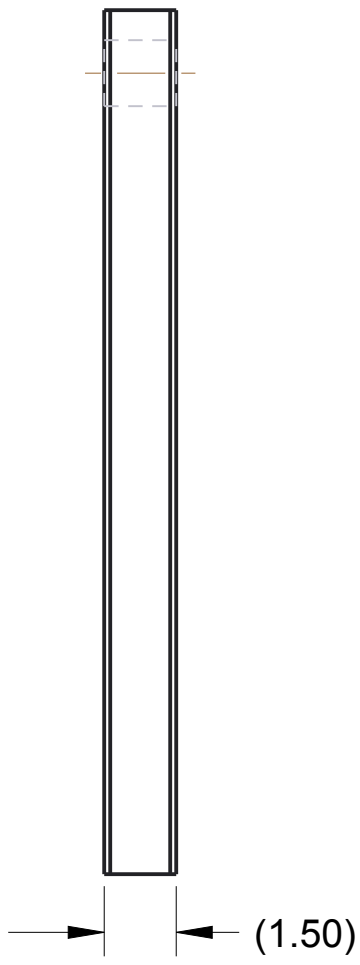
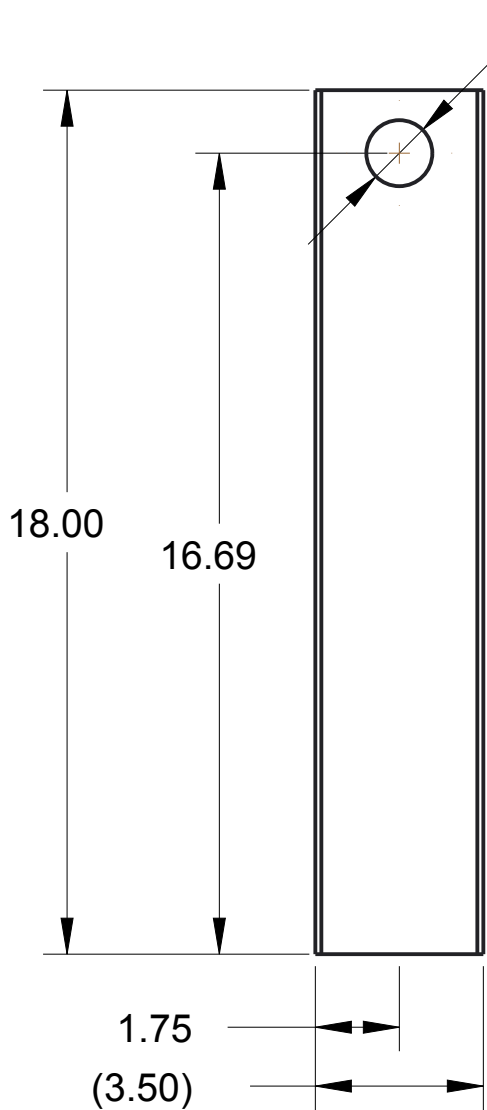
3

4

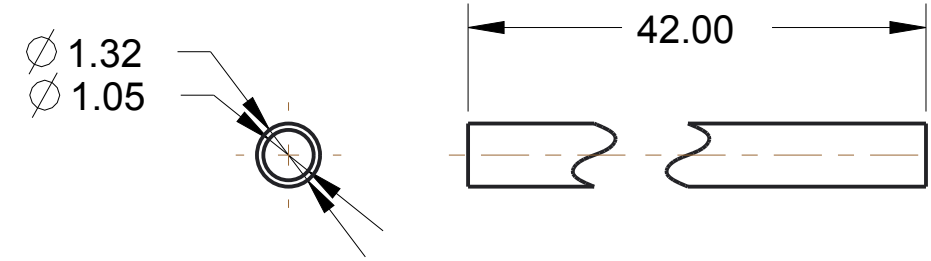
MODEL NAME: TE-16029
 TITLE: Team Low Bar



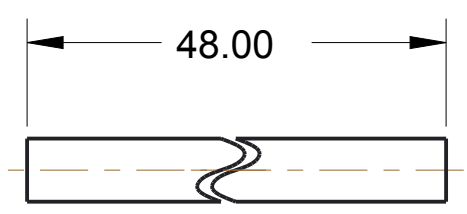
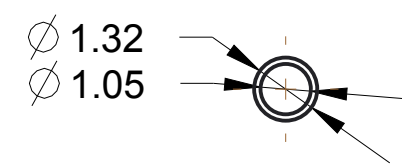
NOTE
 Part: TE-16029-01
 Material: 3/4" Plywood (23/32")
 Qty: 1
 Scale: 1:8



NOTE
 Part: TE-16029-02
 Material: 2x4 Lumber
 Qty: 2
 Scale: 1:4



NOTE
 Part: TE-16029-03
 Material: 1" Black Iron Pipe
 Qty: 1
 Scale: 1:4



NOTE
 Part: TE-16029-05
 Material: 1" Black Iron Pipe
 Qty: 1
 Scale: 1:4

		DRAWN BY	DATE
		CHECKED BY	DATE
<small>THIS DOCUMENT IS SUPPLIED IN CONFIDENCE. NO REPRODUCTION OF THIS DOCUMENT IN PART OR IN WHOLE OR THEREON OF THE ITEMS SHOWN MAY BE MADE WITHOUT THE COPYRIGHT OWNERS WRITTEN PERMISSION</small>		APPROVED BY	DATE
<small>UNLESS OTHERWISE SPECIFIED ALL DIMENSIONS ARE IN INCHES. TOLERANCES ARE: .XX +/- 0.1 .XXX +/- 0.01 X.XXX +/- 0.001 ANG +/- 1</small>		SCALE 1:4	SHEET 3 OF 4
TITLE: Team Low Bar			
PROJECT:		MODEL NAME	ISSUE
DO NOT SCALE		TE-16029	

MODEL NAME
TE-16029

TITLE
Team Low Bar

D

D

C

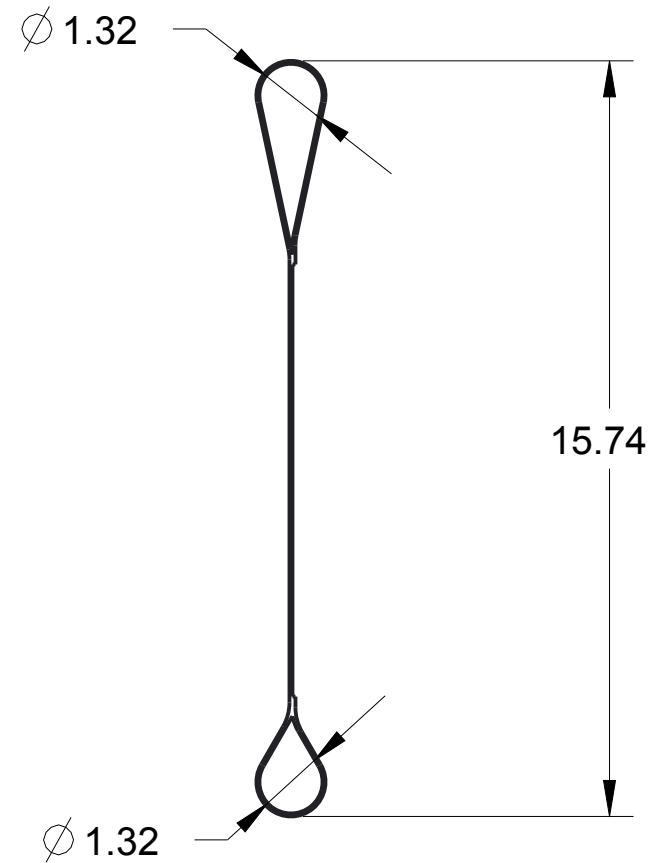
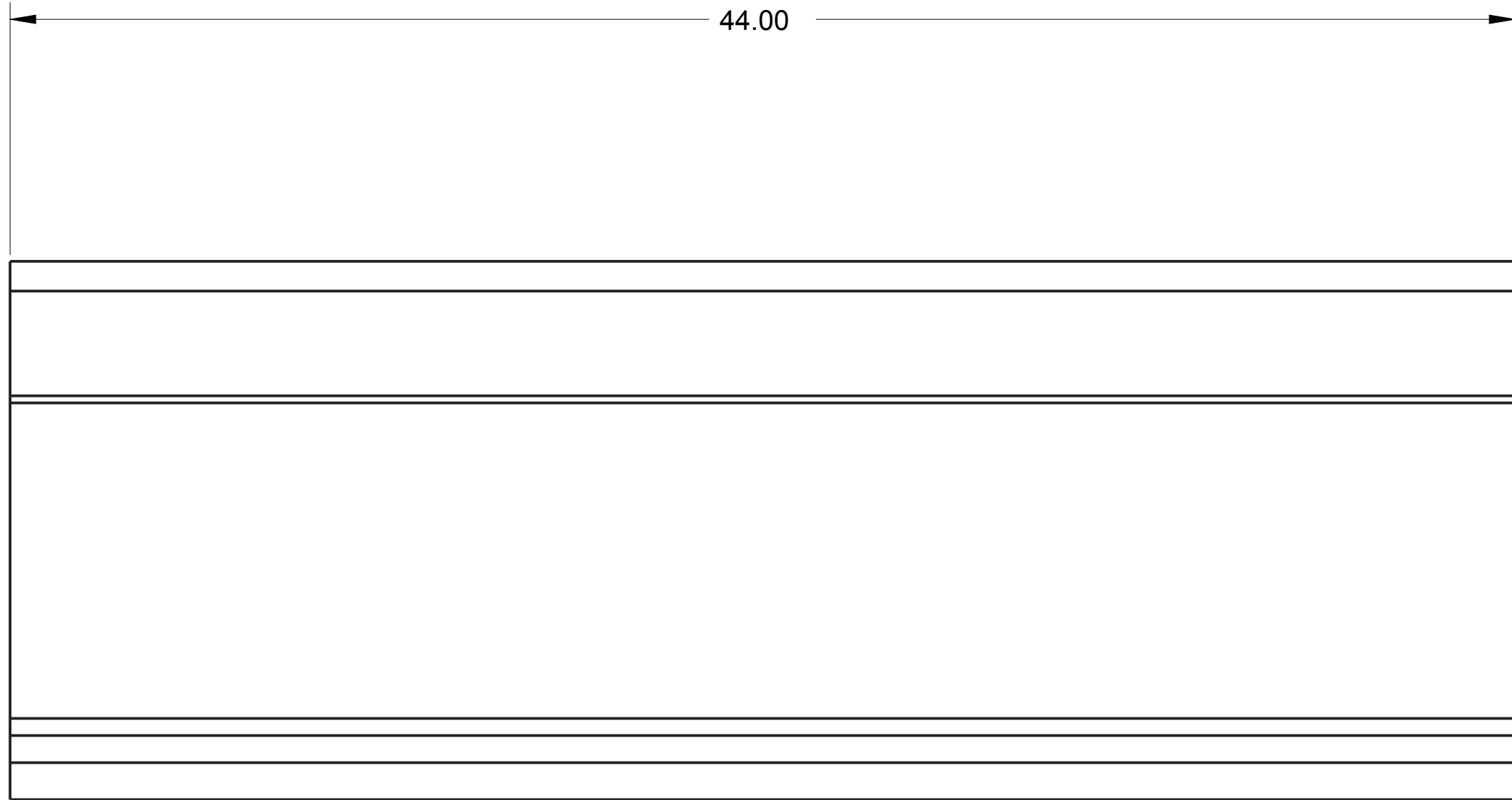
C

B

B


A

A



NOTE

Part: TE-16029-04
 Material: Cordura Fabric
 Qty: 1
 Scale: 1:4

	DRAWN BY	DATE
	CHECKED BY	DATE
	APPROVED BY	DATE
<small>THIS DOCUMENT IS SUPPLIED IN CONFIDENCE. NO REPRODUCTION OF THIS DOCUMENT IN PART OR IN WHOLE OR THEREON OF THE ITEMS SHOWN MAY BE MADE WITHOUT THE COPYRIGHT OWNERS WRITTEN PERMISSION</small>	SCALE 1:4	SHEET 4 OF 4
Team Low Bar		
PROJECT	MODEL NAME TE-16029	ISSUE

UNLESS OTHERWISE SPECIFIED ALL DIMENSIONS ARE IN INCHES.
 TOLERANCES ARE:
 .XX ±0.1
 .XXX ±0.01
 .XXXX ±0.001
 ANG ±1

DO NOT SCALE

REV	ZONE	DESCRIPTION	APPROVED	DATE
A	A-3	Updated BOM info	NJS	12/29/15

D

D

C

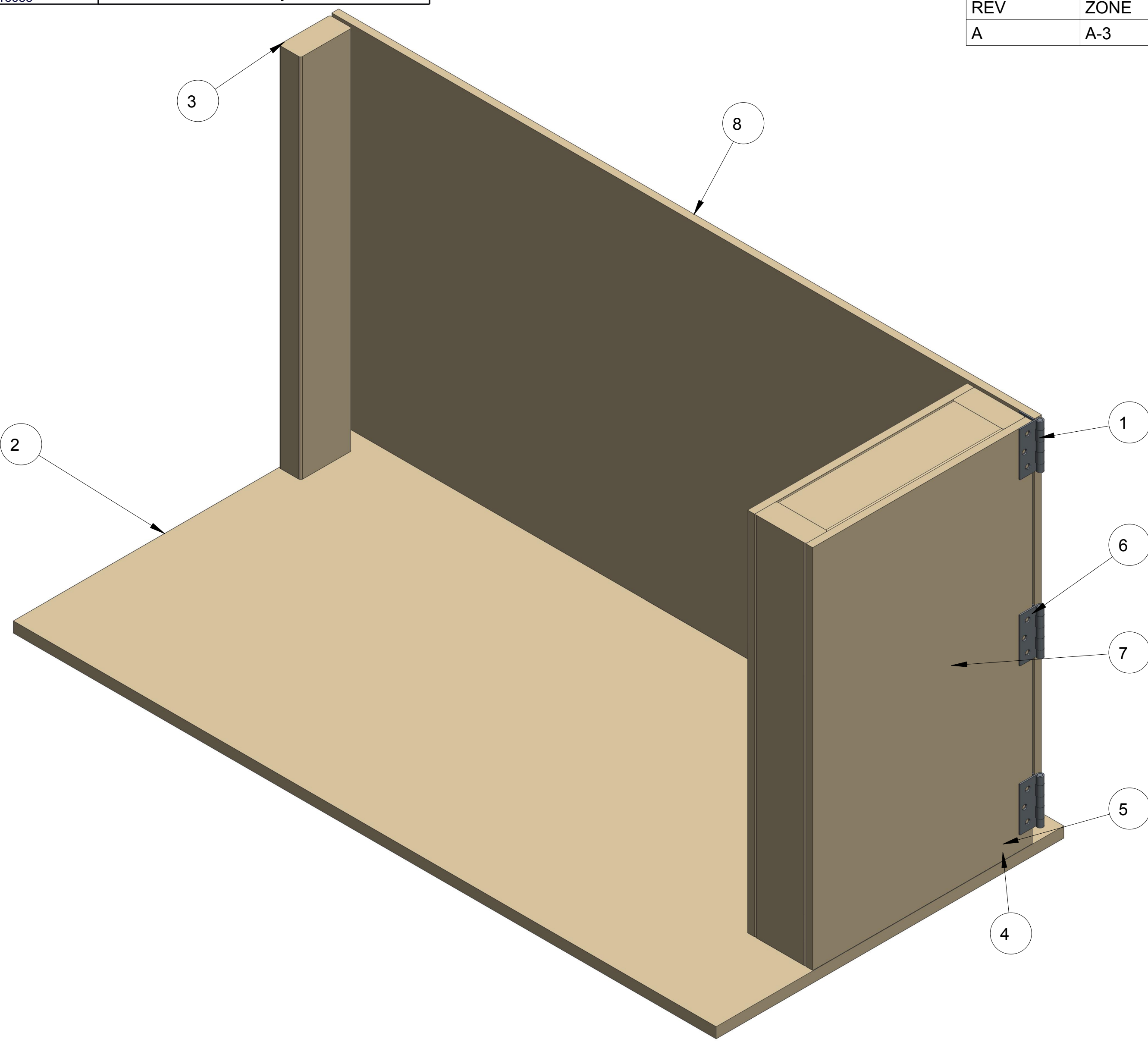
C

B

B

A

A



ITEM NO	PART NUMBER	QTY	DESCRIPTION	NOTES
1	HW-00098	3	hw-00098.asm	3" Mortise-Mount Hinge
2	TE-16035-01	1	te-16035-01.prt	3/4" Plywood
3	TE-16035-02	2	te-16035-02.prt	2x4 Lumber
4	TE-16035-03	2	te-16035-03.prt	2x4 Lumber
5	TE-16035-04	2	te-16035-04.prt	2x4 Lumber
6	TE-16035-05	2	te-16035-05.prt	1/2" Plywood
7	TE-16035-06	1	te-16035-06.prt	Wright Storm Door Closer, V1020BL
8	TE-16035-07	1	te-16035-07.prt	1/2" Plywood

	DRAWN BY	DATE
	CHECKED BY	DATE
	APPROVED BY	DATE
<small>THIS DOCUMENT IS SUPPLIED IN CONFIDENCE. NO REPRODUCTION OF THIS DOCUMENT IN PART OR IN WHOLE OR THEREON OF THE ITEMS SHOWN MAY BE MADE WITHOUT THE COPYRIGHT OWNERS WRITTEN PERMISSION</small>		SCALE 1:4 SHEET 1 OF 5
TITLE Team Sally Port		
PROJECT		MODEL NAME TE-16035
ISSUE		

UNLESS OTHERWISE SPECIFIED ALL DIMENSIONS ARE IN INCHES.
 TOLERANCES ARE:
 .XX ±0.1
 .XXX ±0.01
 X.XXX ±0.001
 ANG ±1

DO NOT SCALE

1

2

3

4

D

D

C

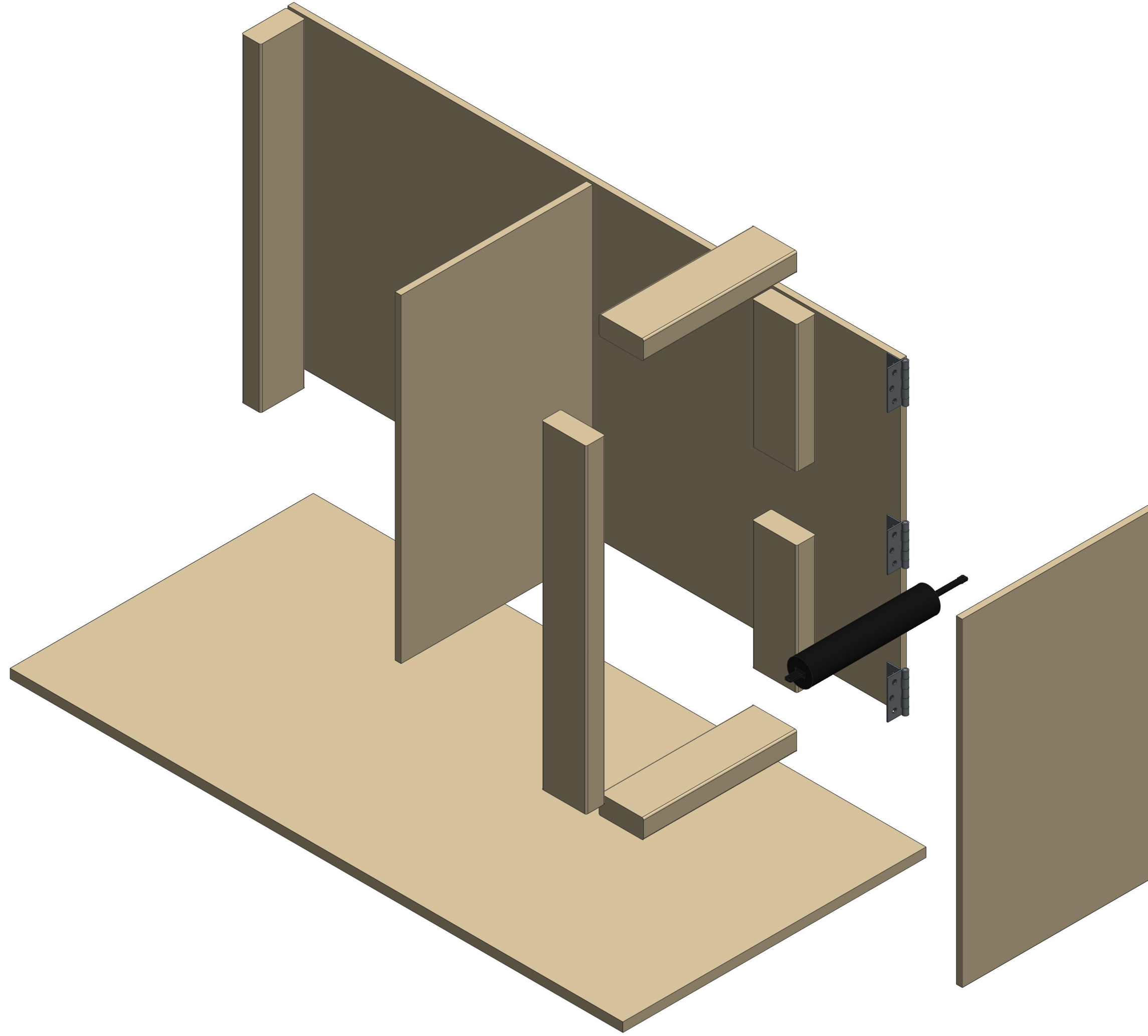
C

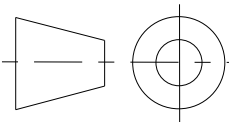

B

B

A

A



		DRAWN BY	DATE
		CHECKED BY	DATE
<small>UNLESS OTHERWISE SPECIFIED ALL DIMENSIONS ARE IN INCHES. TOLERANCES ARE: X.X +/- 0.1 X.XX +/- 0.01 X.XXX +/- 0.001 ANG +/- 1</small>	<small>THIS DOCUMENT IS SUPPLIED IN CONFIDENCE. NO REPRODUCTION OF THIS DOCUMENT IN PART OR IN WHOLE OR THEREON OF THE ITEMS SHOWN MAY BE MADE WITHOUT THE COPYRIGHT OWNERS WRITTEN PERMISSION</small>	APPROVED BY	DATE
		SCALE 3:16	SHEET 2 OF 5
TITLE Team Sally Port			
PROJECT		MODEL NAME TE-16035	ISSUE
DO NOT SCALE			

1

2

3

4

MODEL NAME
TE-16035

TITLE
Team Sally Port

D

D

C

C

B

B

A

A

1

2

3

4

1

2

3

4

2.13

.50

.13

42.0

NOTE: Mounting hardware not shown

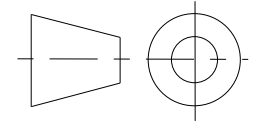
NOTE: Mount using wood screws and wood glue

21.00

10.00

1.00

6.63



DRAWN BY	DATE
CHECKED BY	DATE
APPROVED BY	DATE

THIS DOCUMENT IS SUPPLIED IN CONFIDENCE. NO REPRODUCTION OF THIS DOCUMENT IN PART OR IN WHOLE OR THEREON OF THE ITEMS SHOWN MAY BE MADE WITHOUT THE COPYRIGHT OWNERS WRITTEN PERMISSION

SCALE 3:16 SHEET 3 OF 5

UNLESS OTHERWISE SPECIFIED ALL DIMENSIONS ARE IN INCHES. TOLERANCES ARE:
X.X +/- 0.1
X.XX +/- 0.01
X.XXX +/- 0.001
ANG +/- .1

TITLE
Team Sally Port

PROJECT
MODEL NAME
TE-16035

ISSUE

DO NOT SCALE

MODEL NAME
TE-16035

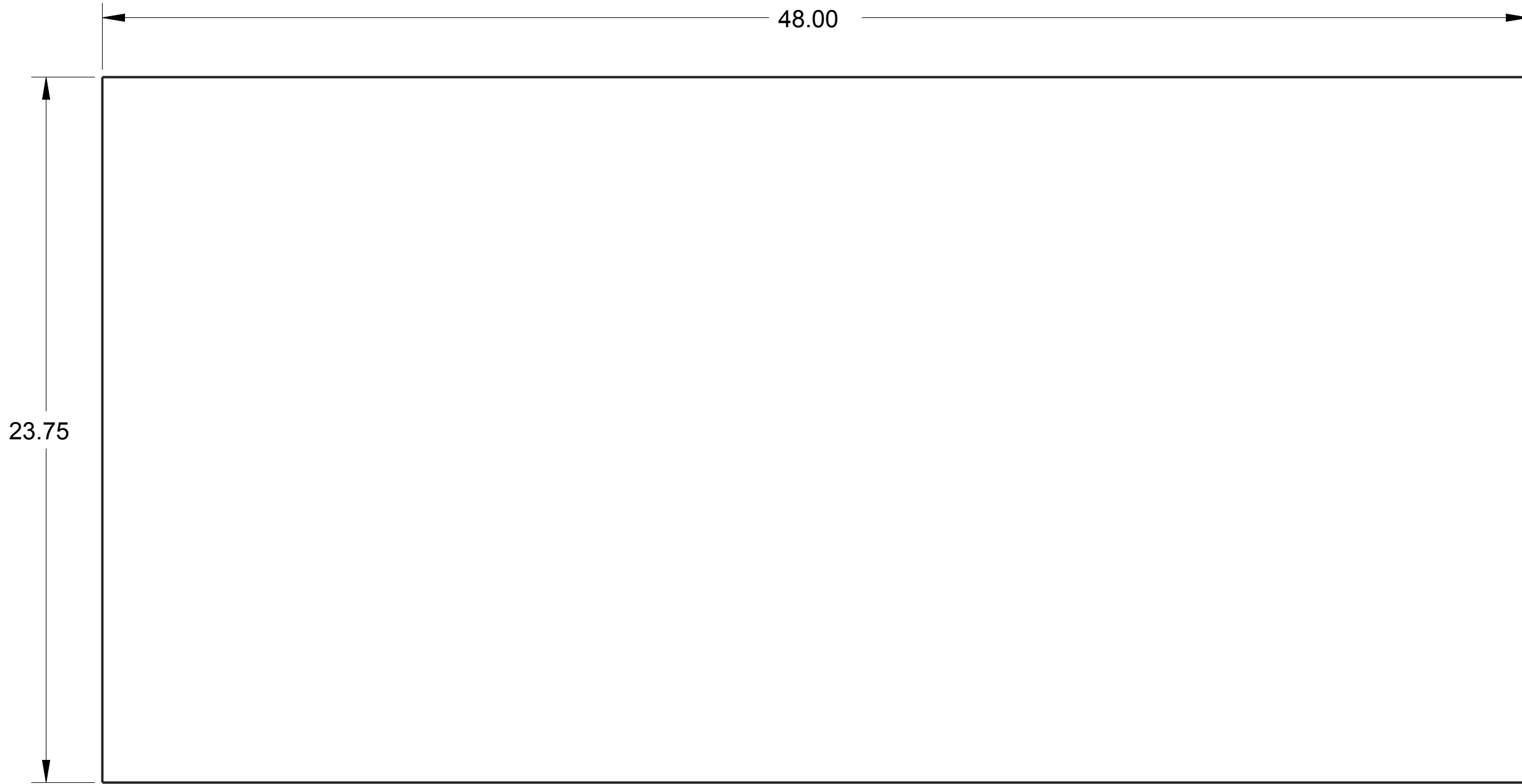
TITLE
Team Sally Port

D

D

C

C

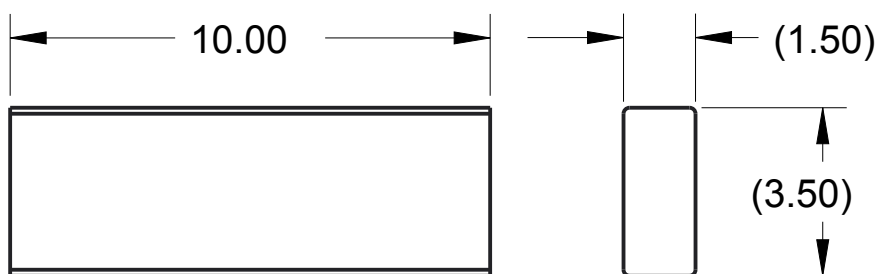


NOTE

Part: TE-16035-01
Material: 3/4" Plywood (23/32")
Qty: 1
Scale: 1:4

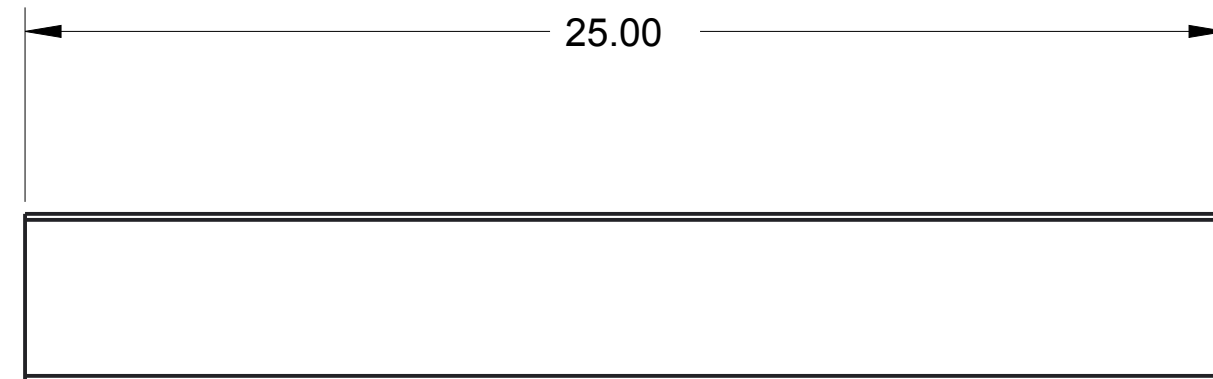
B

B



NOTE

Part: TE-16035-03
Material: 2x4 Lumber
Qty: 2
Scale: 1:4

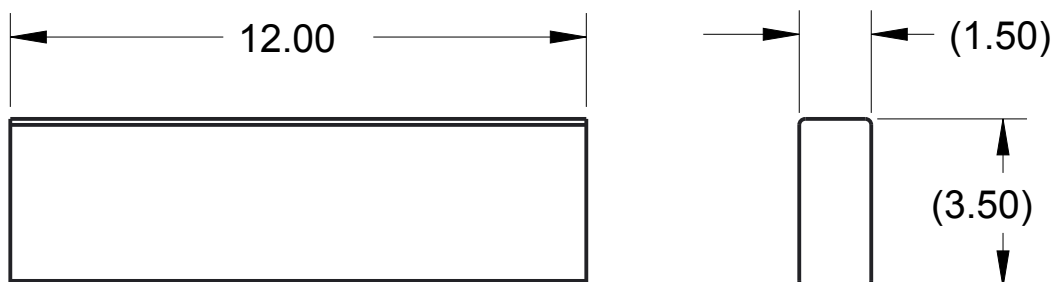


NOTE

Part: TE-16035-02
Material: 2x4 Lumber
Qty: 3
Scale: 1:4

A

A



NOTE

Part: TE-16035-04
Material: 2x4 Lumber
Qty: 2
Scale: 1:4

	DRAWN BY	DATE
	CHECKED BY	DATE
<small>THIS DOCUMENT IS SUPPLIED IN CONFIDENCE. NO REPRODUCTION OF THIS DOCUMENT IN PART OR IN WHOLE OR THEREON OF THE ITEMS SHOWN MAY BE MADE WITHOUT THE COPYRIGHT OWNERS WRITTEN PERMISSION</small>	APPROVED BY	DATE
	SCALE 5:64	SHEET 4 OF 5
<small>UNLESS OTHERWISE SPECIFIED ALL DIMENSIONS ARE IN INCHES. TOLERANCES ARE: X.X +/- 0.1 X.XX +/- 0.01 X.XXX +/- 0.001 ANG +/- 1</small>	TITLE Team Sally Port	
DO NOT SCALE	PROJECT	MODEL NAME TE-16035
		ISSUE

1

2

3

4

MODEL NAME
TE-16035

TITLE
Team Sally Port

1

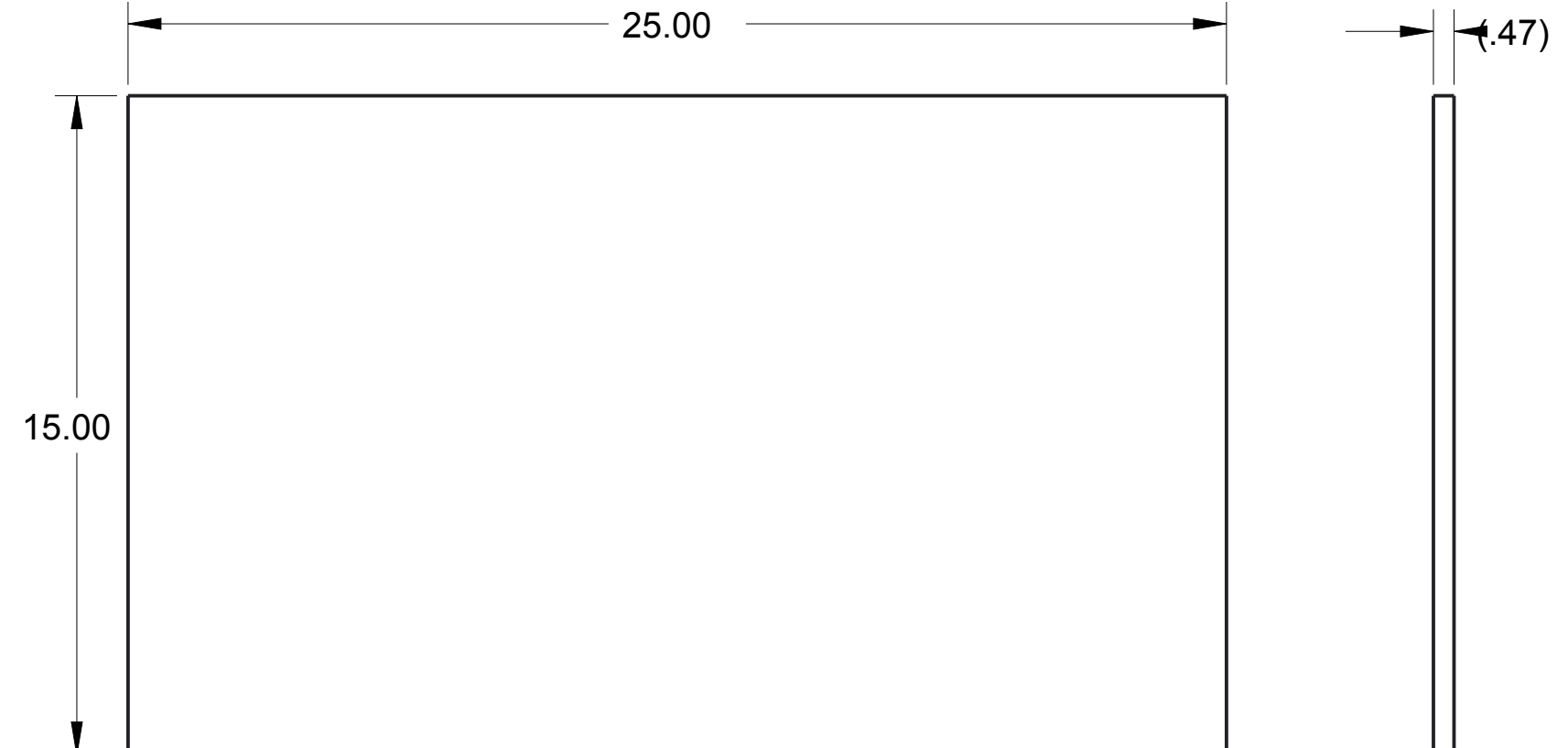
2

3

4

D

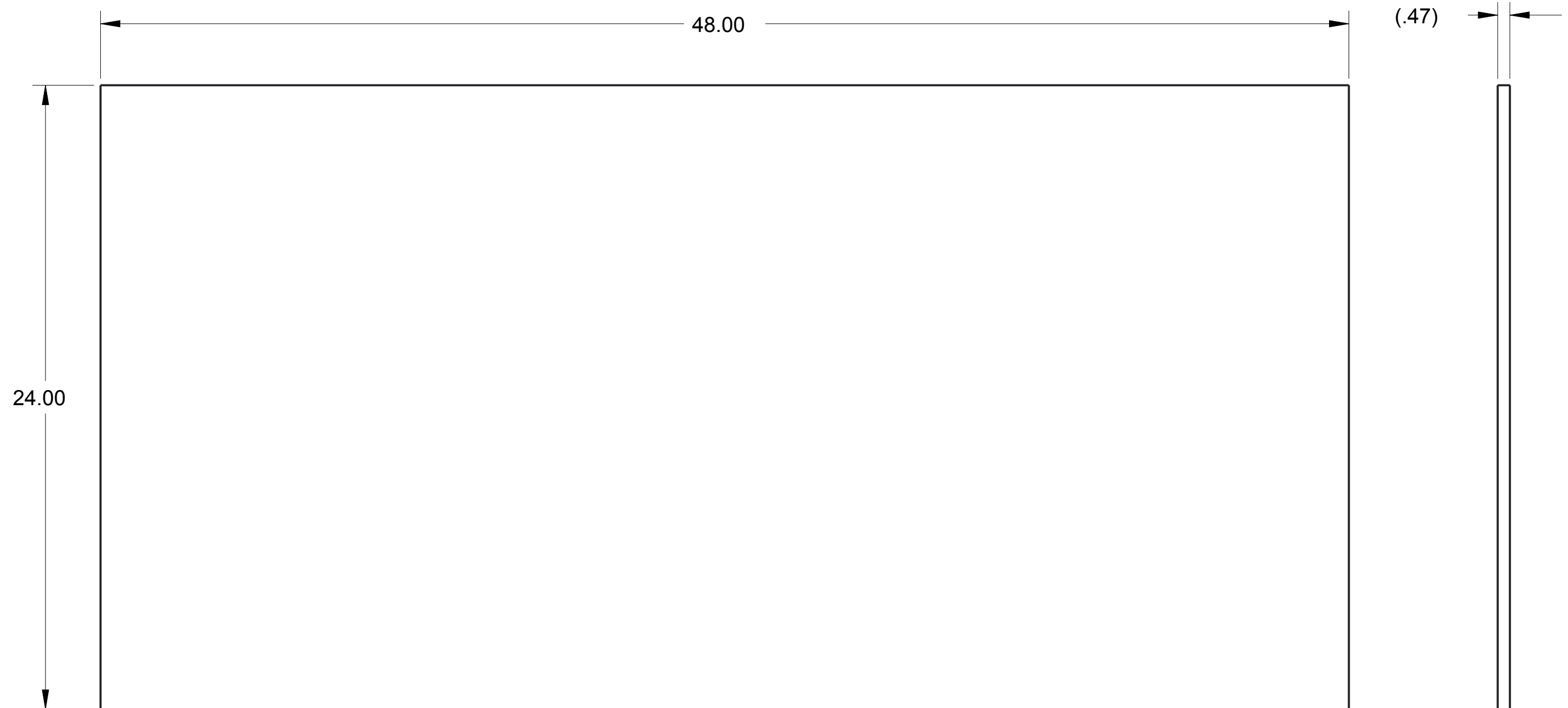
D



NOTE
 Part: TE-16035-05
 Material: 1/2" Plywood (15/32")
 Qty: 2
 Scale: 1:4

C

C



NOTE
 Part: TE-16035-07
 Material: 1/2" Plywood (15/32")
 Qty: 1
 Scale: 1:4

B

B

A

A

		DRAWN BY	DATE
		CHECKED BY	DATE
		APPROVED BY	DATE
<small>THIS DOCUMENT IS SUPPLIED IN CONFIDENCE. NO REPRODUCTION OF THIS DOCUMENT IN PART OR IN WHOLE OR THEREON OF THE ITEMS SHOWN MAY BE MADE WITHOUT THE COPYRIGHT OWNERS WRITTEN PERMISSION</small>		SCALE 5:64	SHEET 5 OF 5
Team Sally Port			
<small>UNLESS OTHERWISE SPECIFIED ALL DIMENSIONS ARE IN INCHES. TOLERANCES ARE: .XX +/- 0.1 .XXX +/- 0.01 X.XXX +/- 0.001 ANG +/- .1</small>		PROJECT	MODEL NAME TE-16035
DO NOT SCALE			ISSUE

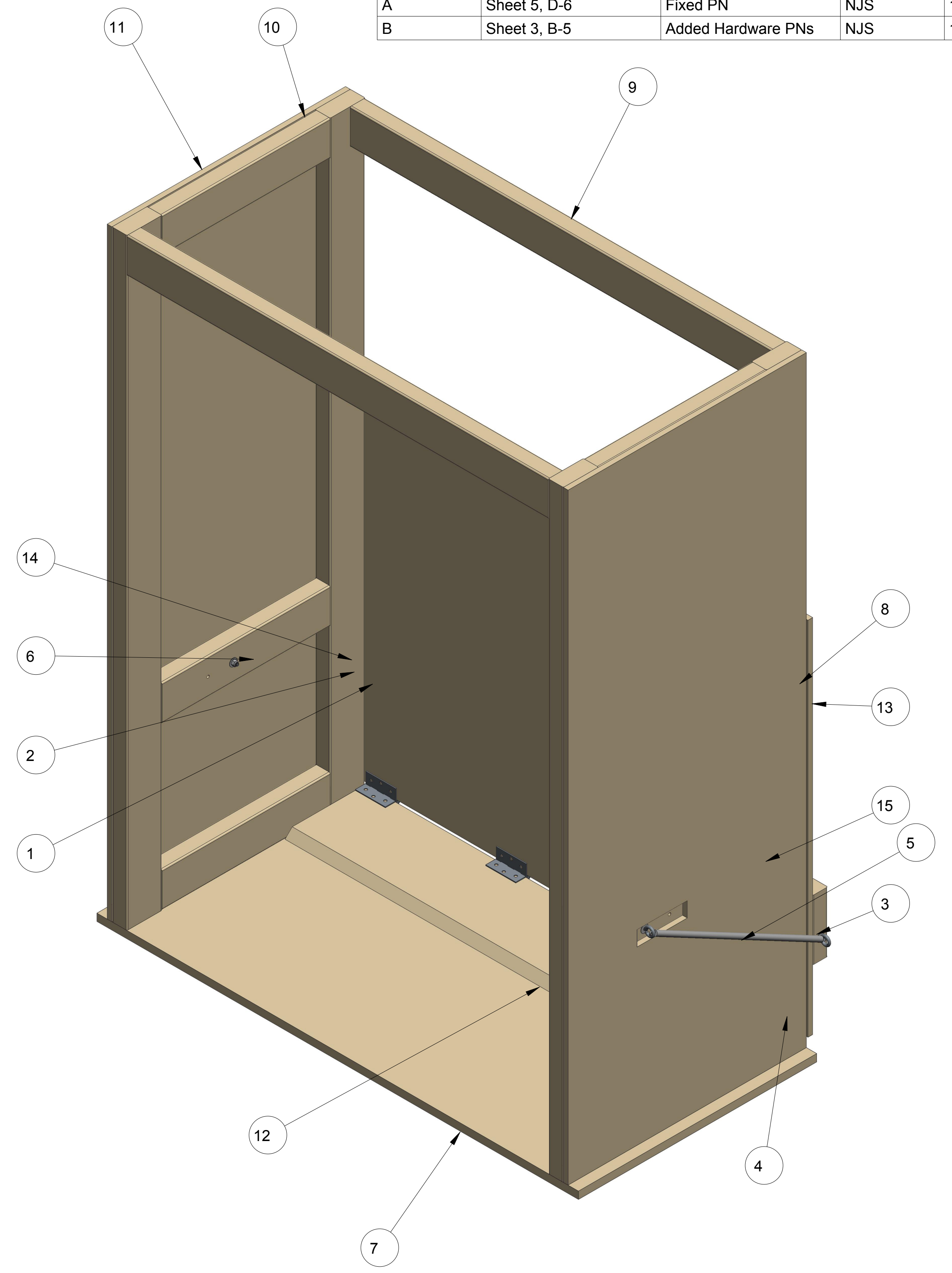
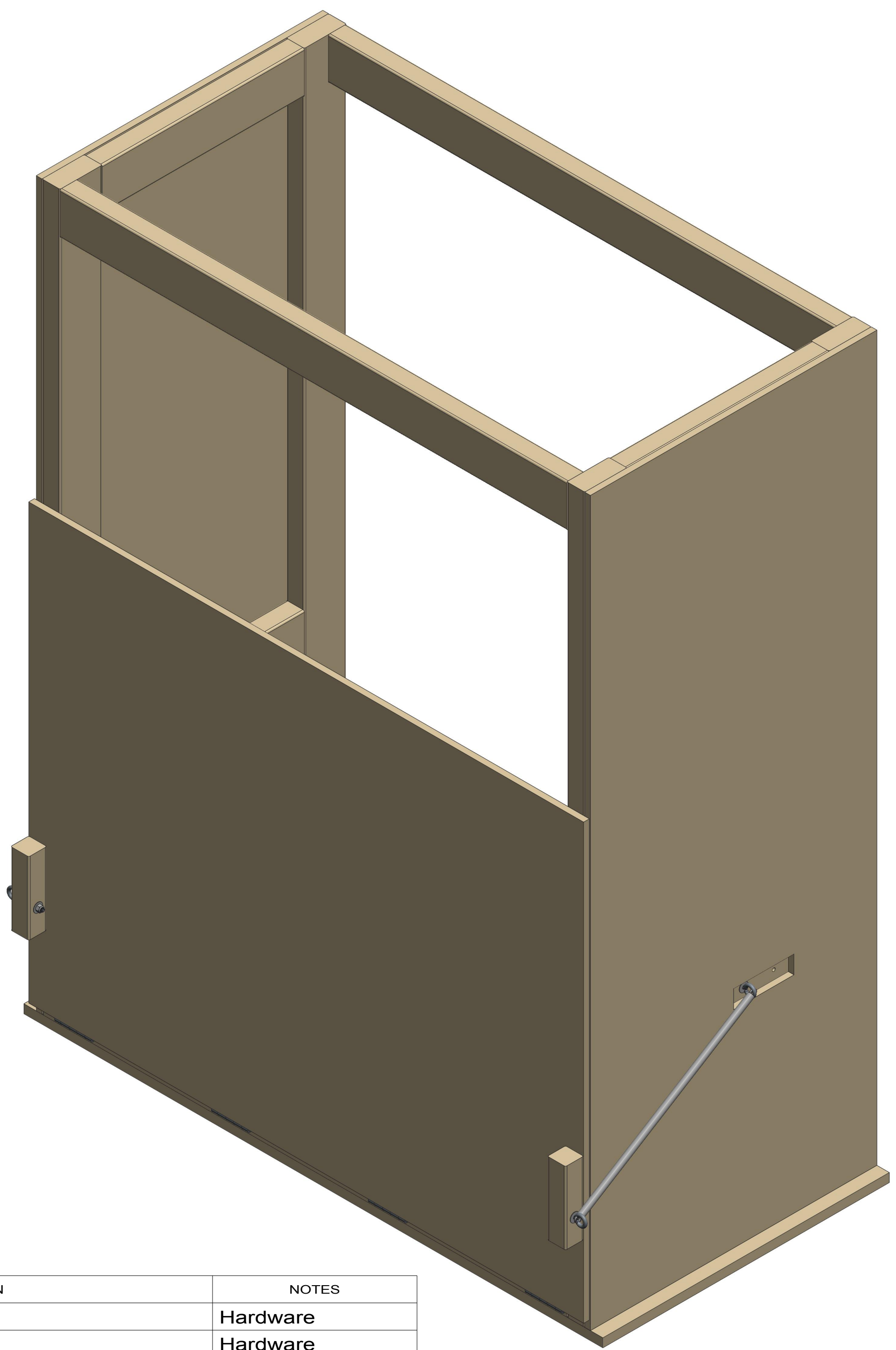
1

2

3

4

REV	ZONE	DESCRIPTION	APPROVED	DATE
A	Sheet 5, D-6	Fixed PN	NJS	12/28/2015
B	Sheet 3, B-5	Added Hardware PNs	NJS	1/13/16



ITEM NO	PART NUMBER	QTY	DESCRIPTION	NOTES
1	HW-00087	4	nut, nylock 1/4-20	Hardware
2	HW-00088	8	1/4"-20 Washer	Hardware
3	HW-00094	4	eye bolt, 1/4-20 x 2"	Hardware
4	HW-00098	4	hw-00098.asm	Door Hinge
5	HW-00099	1	Extension Screen Door Spring, 15"-18 1/2"	Hardware
6	HW-00100	1	Screen Door Spring, 16-3/8" Long	Hardware
7	TE-16045-01	1	TE-16045-01	3/4" Plywood
8	TE-16045-02	4	TE-16045-02	2x4 Lumber
9	TE-16045-03	2	TE-16045-03	2x4 Lumber
10	TE-16045-04	4	TE-16045-04	2x4 Lumber
11	TE-16045-05	2	TE-16045-05	1/2" Plywood
12	TE-16045-06	1	TE-16045-06	3/4" Plywood
13	TE-16045-07	1	TE-16045-07	1/2" Plywood
14	TE-16045-08	2	TE-16045-08	2x2 Lumber
15	TE-16045-09	2	TE-16045-09	2x4 Lumber

UNLESS OTHERWISE SPECIFIED ALL DIMENSIONS ARE IN INCHES.
 TOLERANCES ARE:
 XXX +/- 0.1
 XXXX +/- 0.01
 ANGLE +/- 1

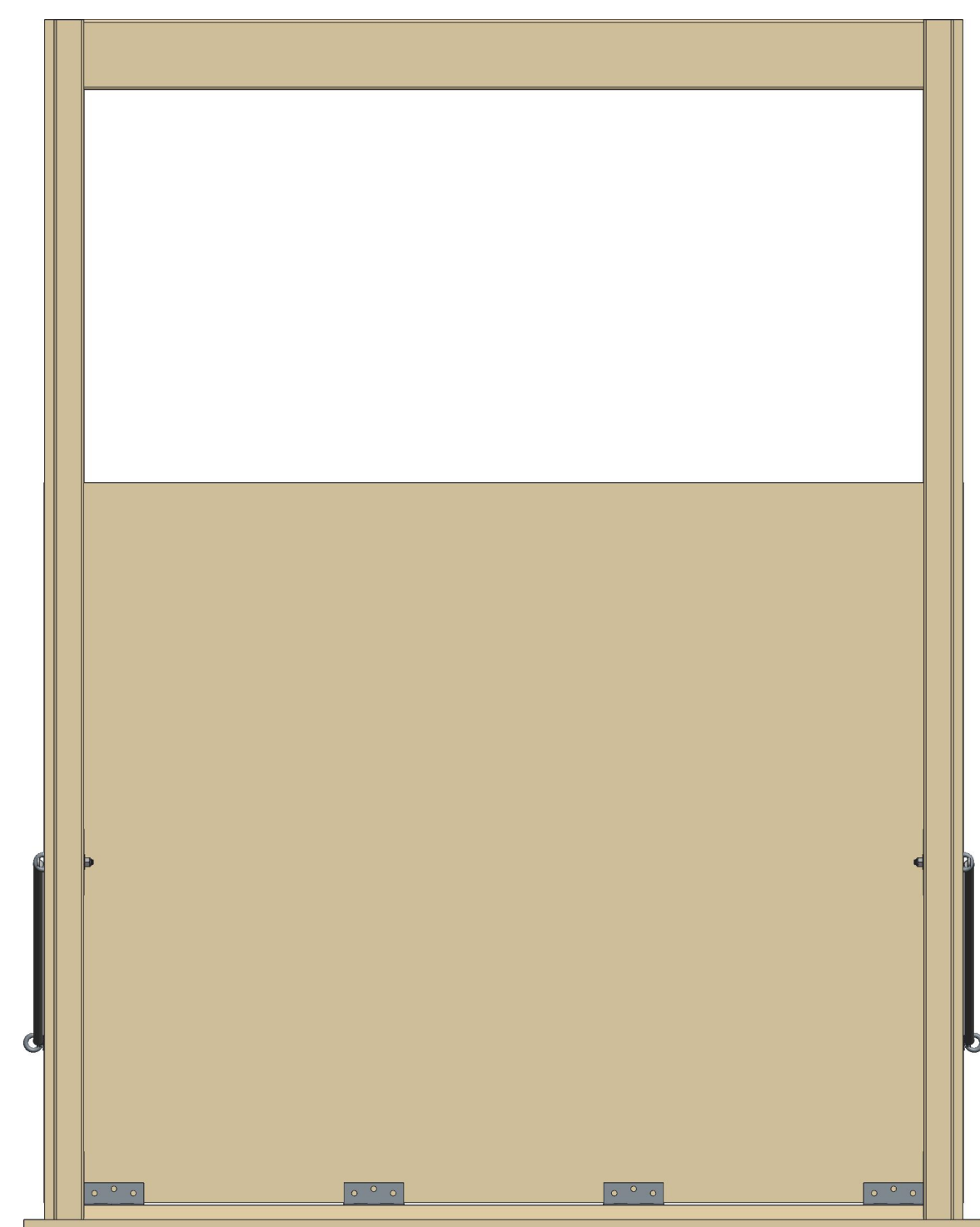
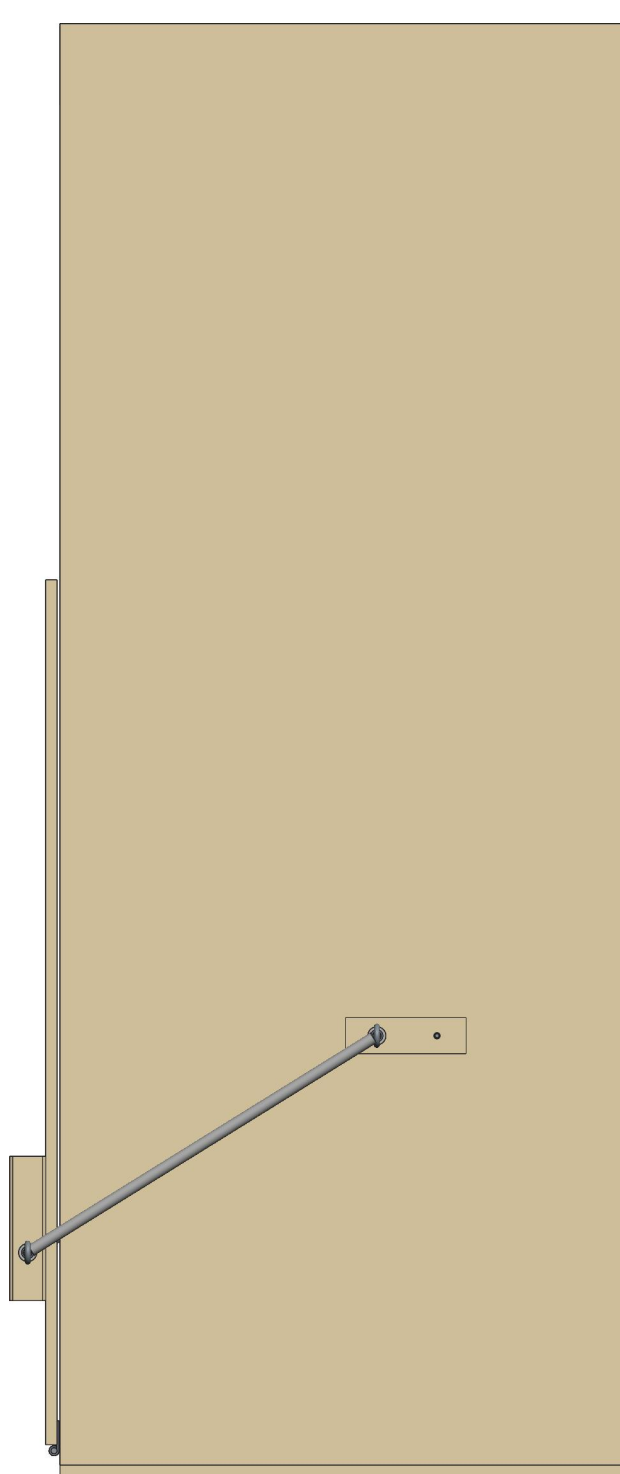
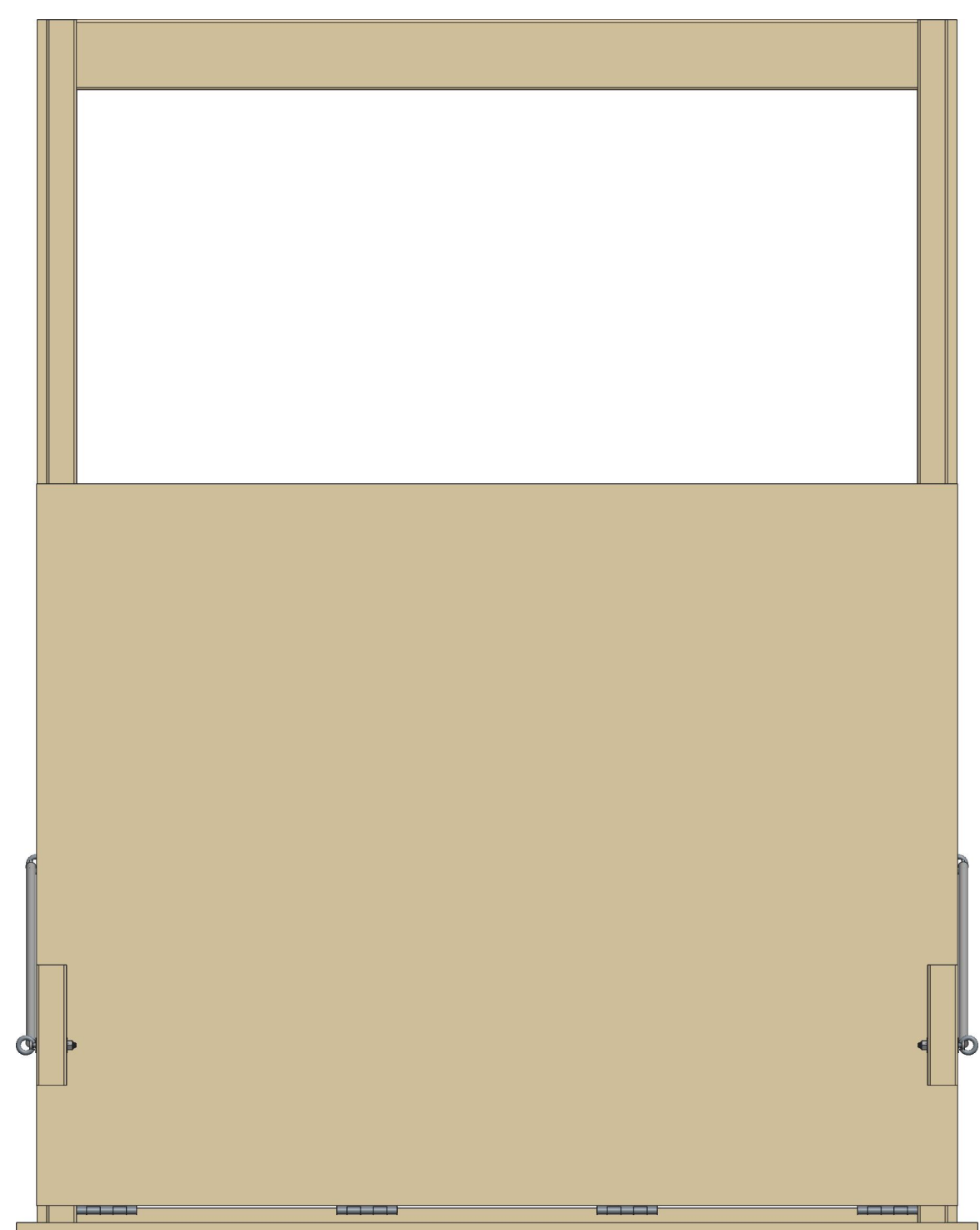
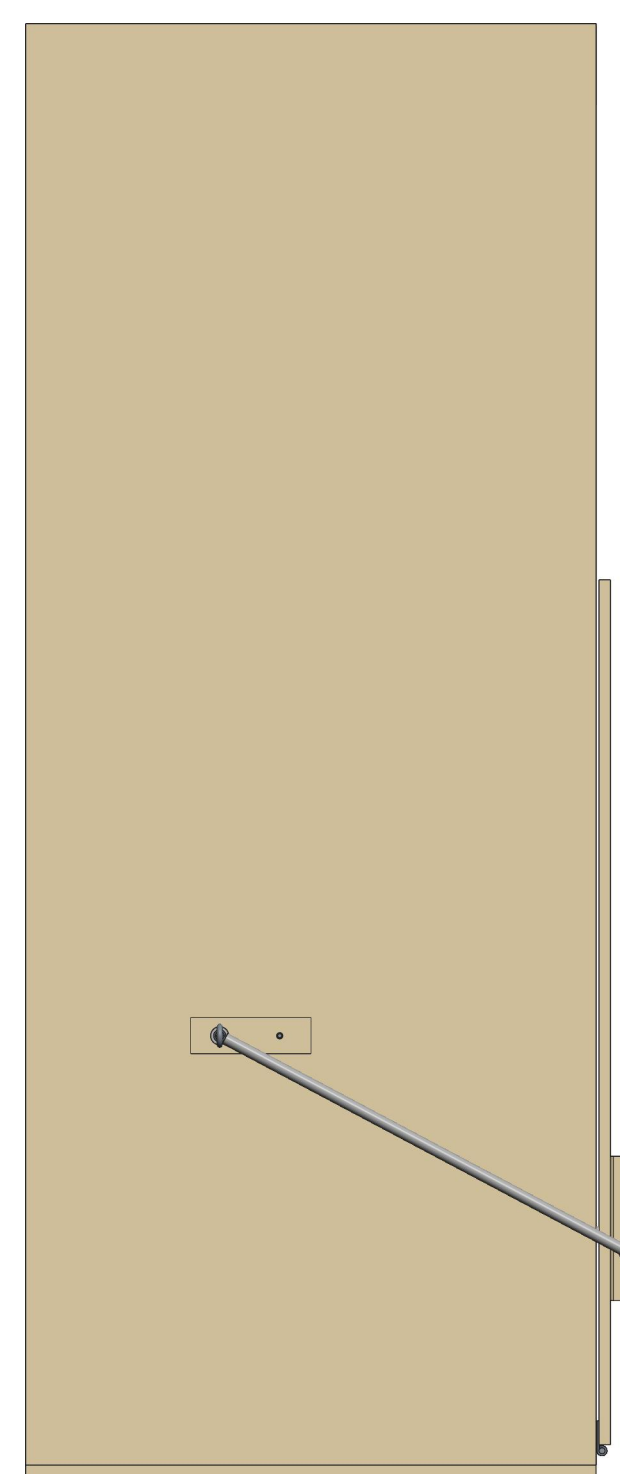
DO NOT SCALE


THIS DOCUMENT IS SUPPLIED IN CONFIDENCE. NO REPRODUCTION OF THIS DOCUMENT IN PART OR IN WHOLE OR IN THE USE OF THE ITEMS SHOWN MAY BE MADE WITHOUT THE COPYRIGHT OWNERS WRITTEN PERMISSION.

DRAWN BY	DATE
CHECKED BY	DATE
APPROVED BY	DATE
SCALE 3:16 SHEET 1 OF 5	
TITLE Team Drawbridge	
PROJECT	MODEL NAME TE-16045
ISSUE	

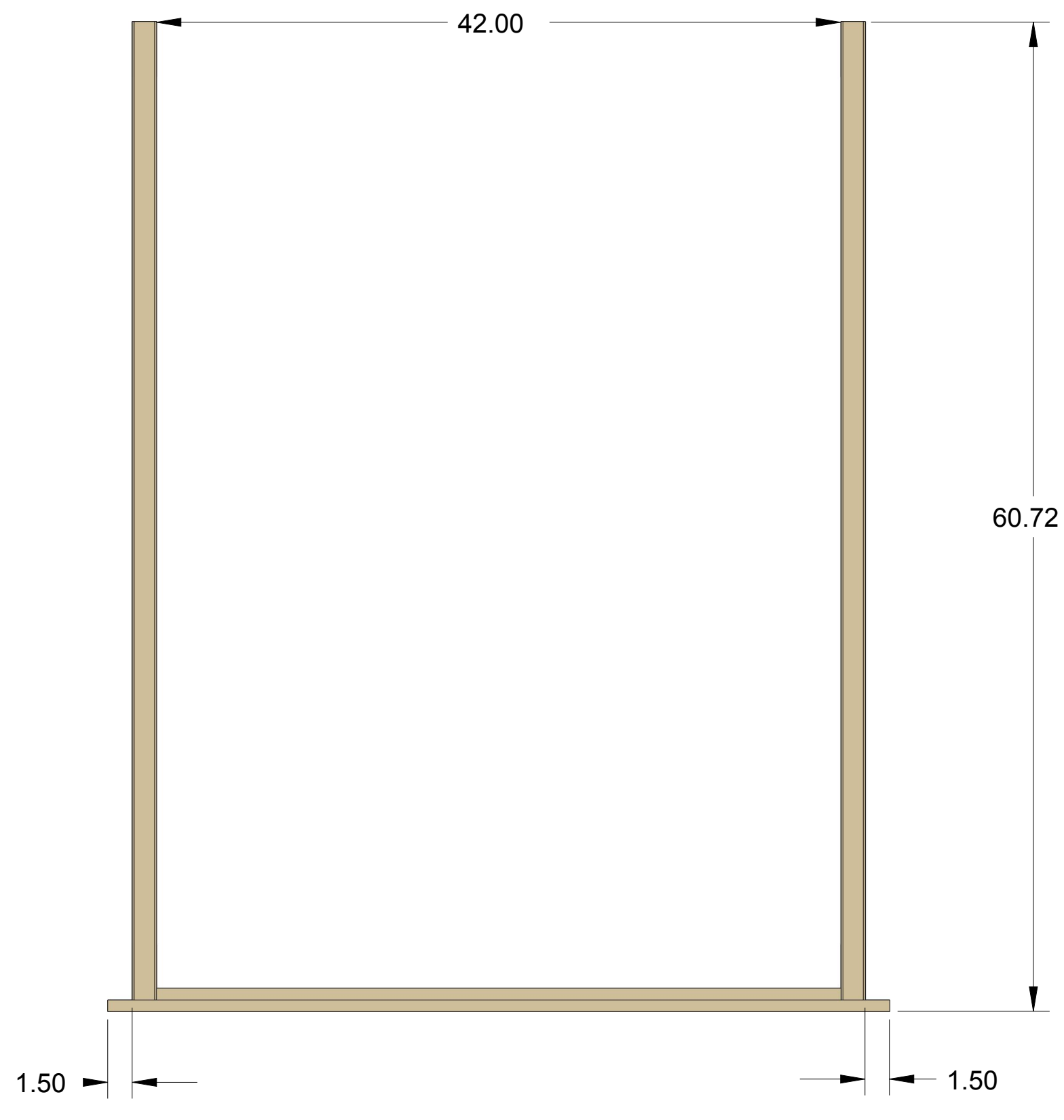
MODEL NAME
TE-16045

TITLE
Team Drawbridge

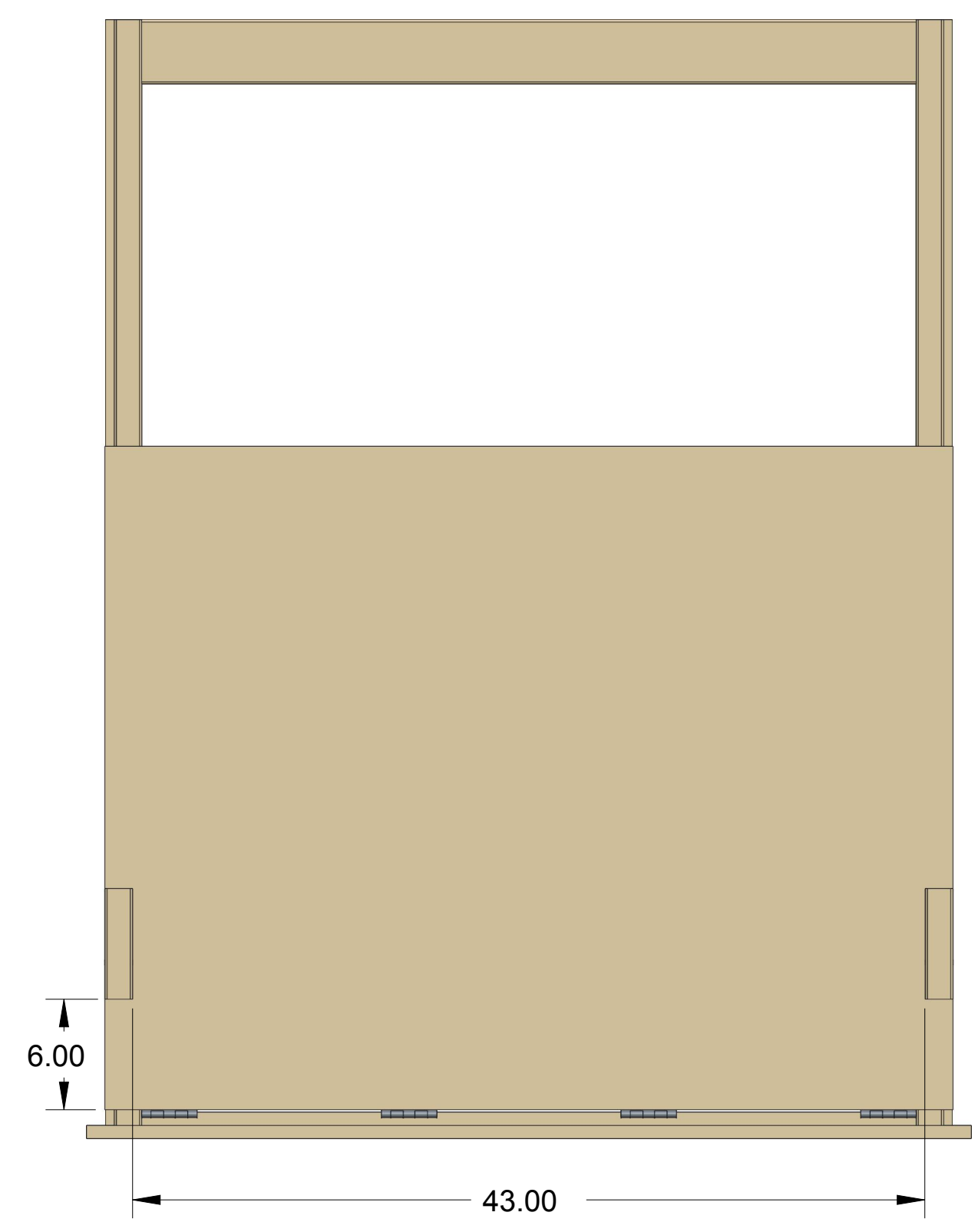


 <p>UNLESS OTHERWISE SPECIFIED ALL DIMENSIONS ARE IN INCHES. TOLERANCES ARE: XXX ± 0.1 XXX ± 0.01 XXX ± 0.001 ANG ± 1 DO NOT SCALE</p>	<p>THIS DOCUMENT IS SUPPLIED IN CONFIDENCE. NO REPRODUCTION OF THIS DOCUMENT IN PART OR IN WHOLE OR THE DISCLOSURE OF THE ITEMS SHOWN MAY BE MADE WITHOUT THE COPYRIGHT OWNER'S WRITTEN PERMISSION.</p>	DRAWN BY	DATE
		CHECKED BY	DATE
		APPROVED BY	DATE
	<p>SCALE 1:8</p> <p>SHEET 2 OF 5</p>		
<p>TITLE Team Drawbridge</p>		MODEL NAME	ISSUE
<p>PROJECT</p>		TE-16045	

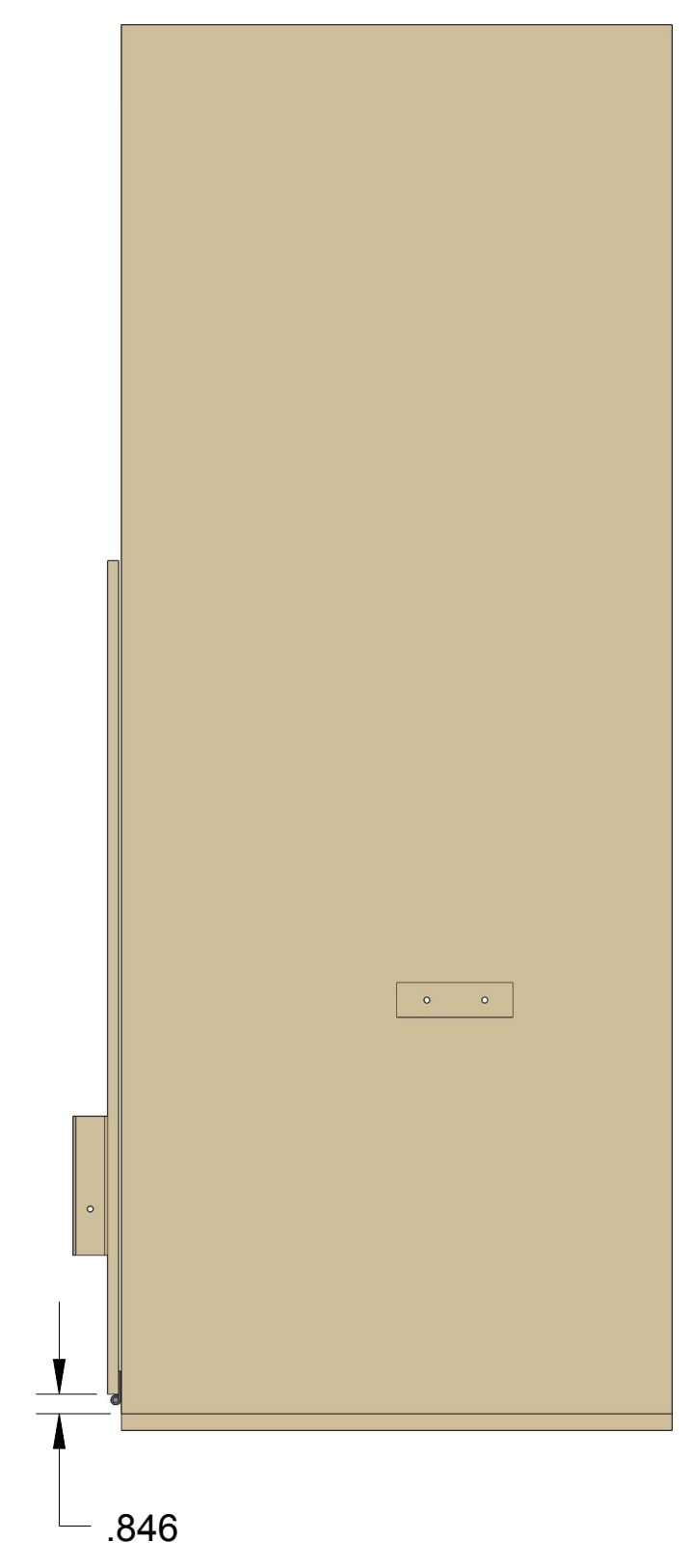
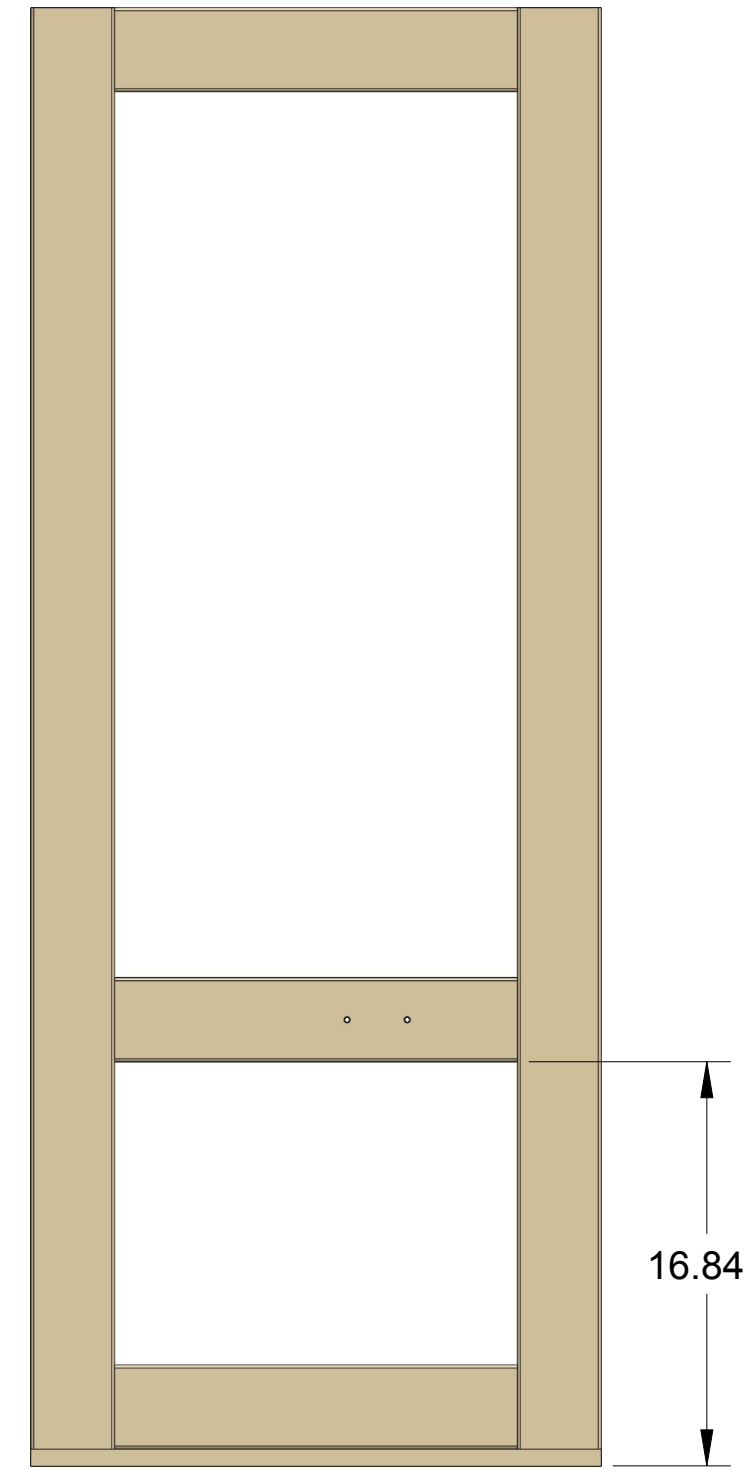
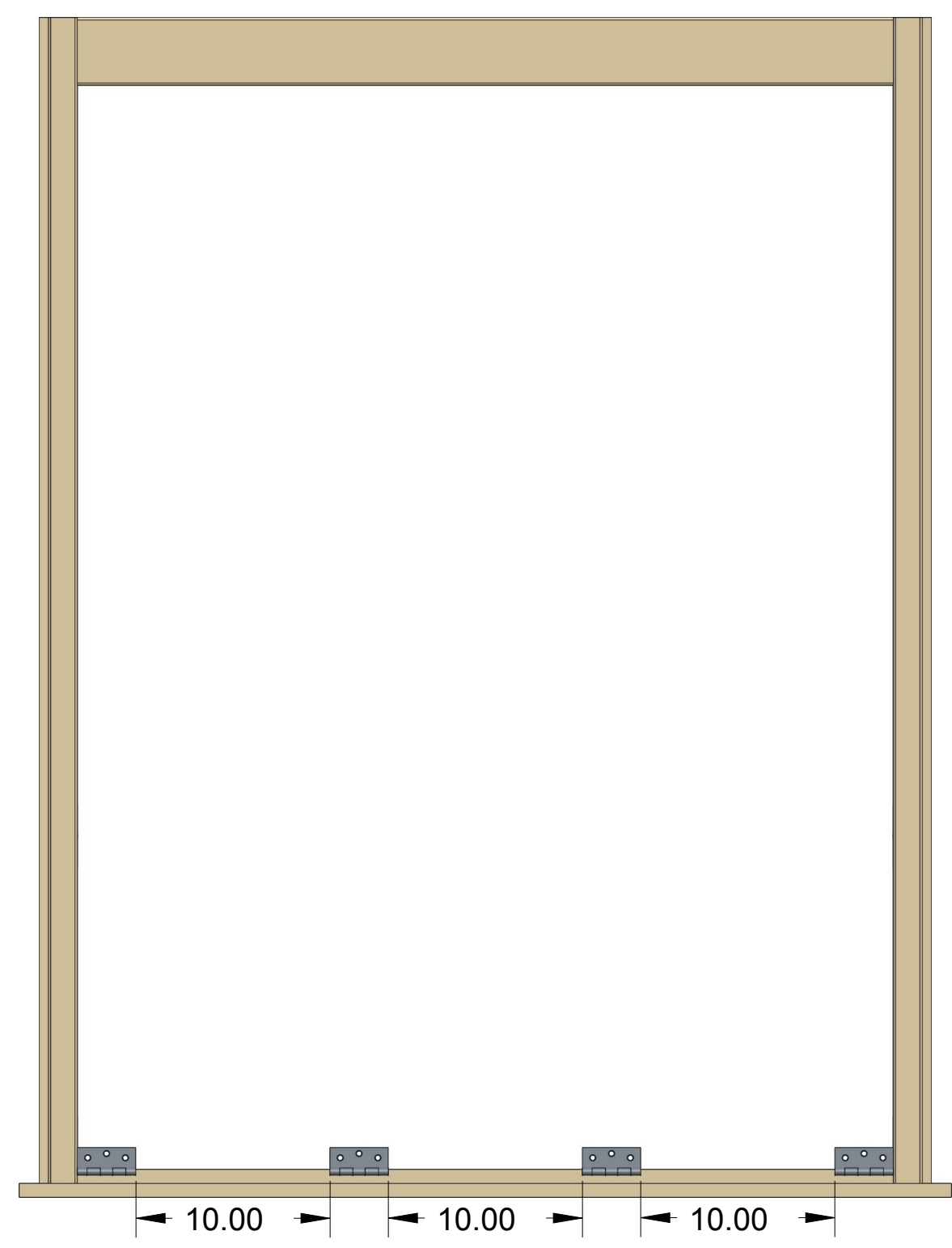
STEP 1



STEP 3



STEP 2



STEP 4: Connect Door to Frame using Springs and Threaded Connectors.
 1 - Screen Door Spring, 16-3/8" Long - McMaster-Carr 9629K7
 1 - Extension Screen Door Spring, 15"-18 1/2" - McMaster-Carr 1474A11
 4 - Oval Threaded Connector, 3/16" Diameter - McMaster-Carr 8947T25

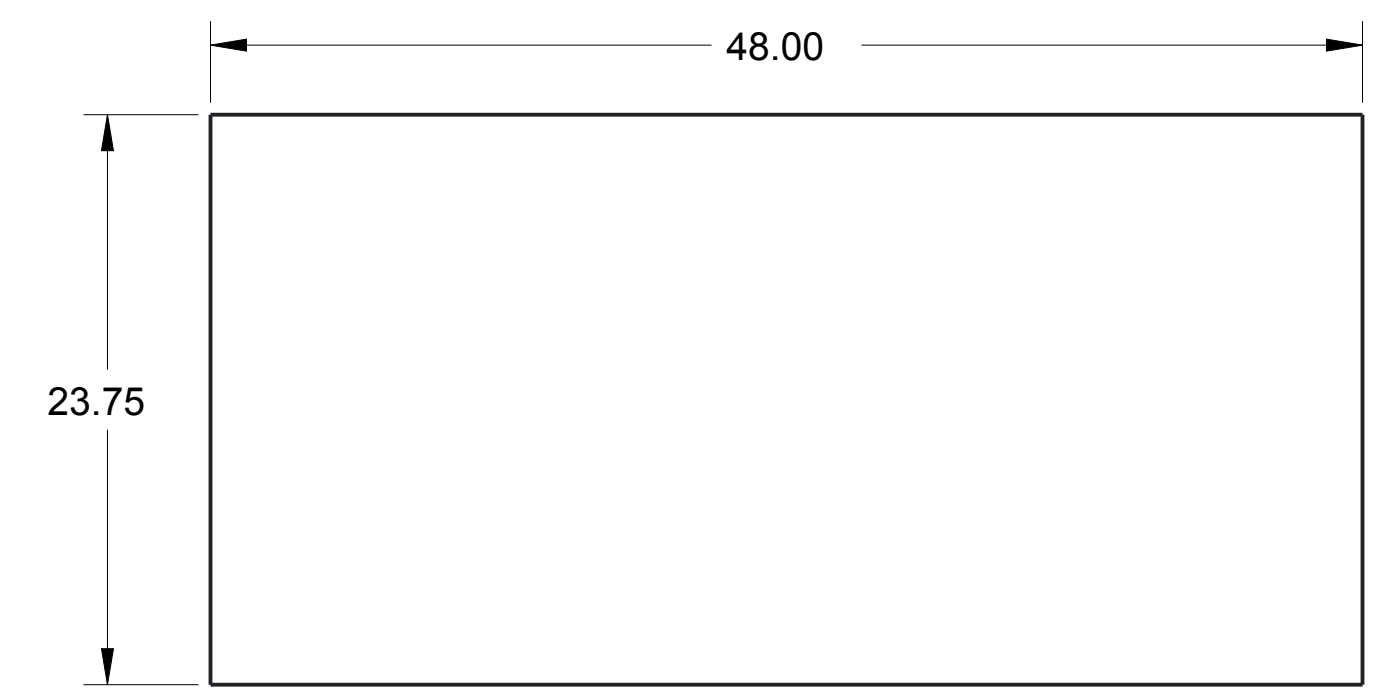
	DRAWN BY	DATE
	CHECKED BY	DATE
	APPROVED BY	DATE
	SCALE 1:8	SHEET 3 OF 5
TITLE: Team Drawbridge		
PROJECT		MODEL NAME: TE-16045
ISSUE		

UNLESS OTHERWISE SPECIFIED ALL DIMENSIONS ARE IN INCHES.
 TOLERANCES ARE:
 XXX +/- 0.1
 XXXX +/- 0.01
 ANG +/- 1
 DO NOT SCALE

1 2 3 4 5 6 7 8

MODEL NAME: TE-16045 TITLE: Team Drawbridge

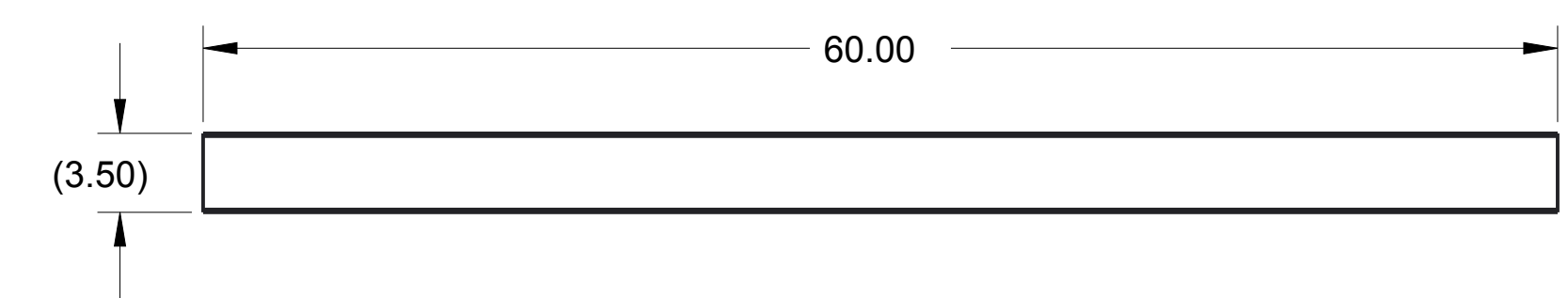
E



NOTE
 Part: TE-16045-01
 Material: 3/4" Plywood (23/32")
 Qty: 1
 Scale: 1:8

E

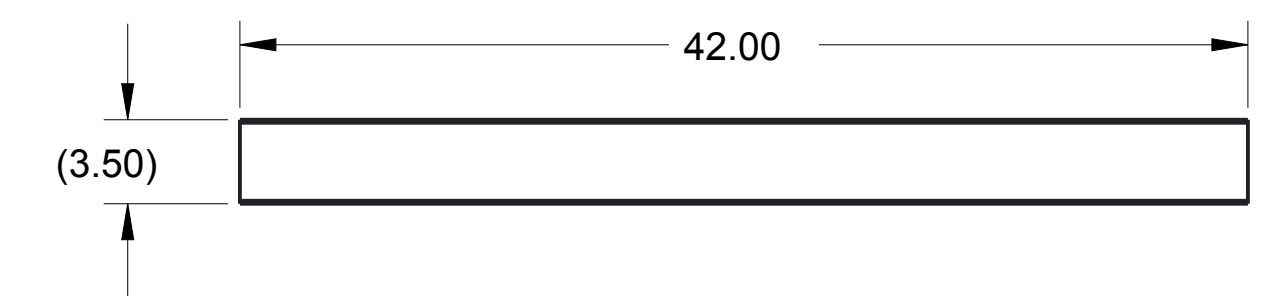
D



NOTE
 Part: TE-16045-02
 Material: 2x4 Lumber
 Qty: 4
 Scale: 1:8

D

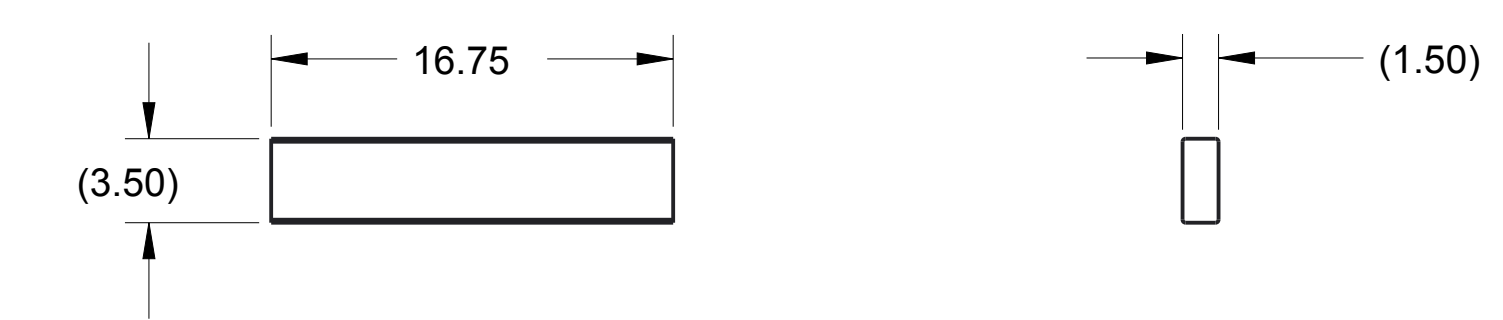
C



NOTE
 Part: TE-16045-03
 Material: 2x4 Lumber
 Qty: 2
 Scale: 1:8

C

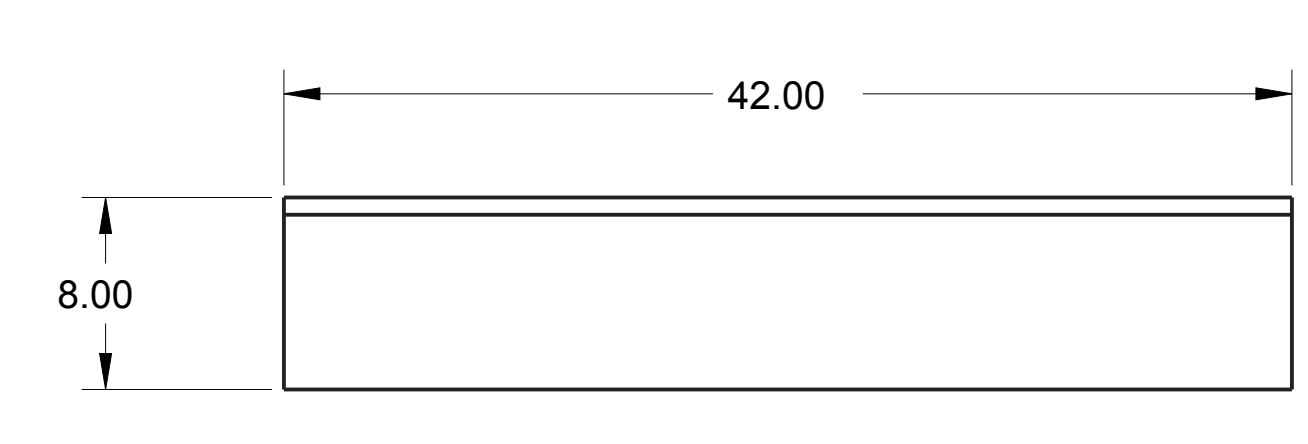
B



NOTE
 Part: TE-16045-04
 Material: 2x4 Lumber
 Qty: 4
 Scale: 1:8

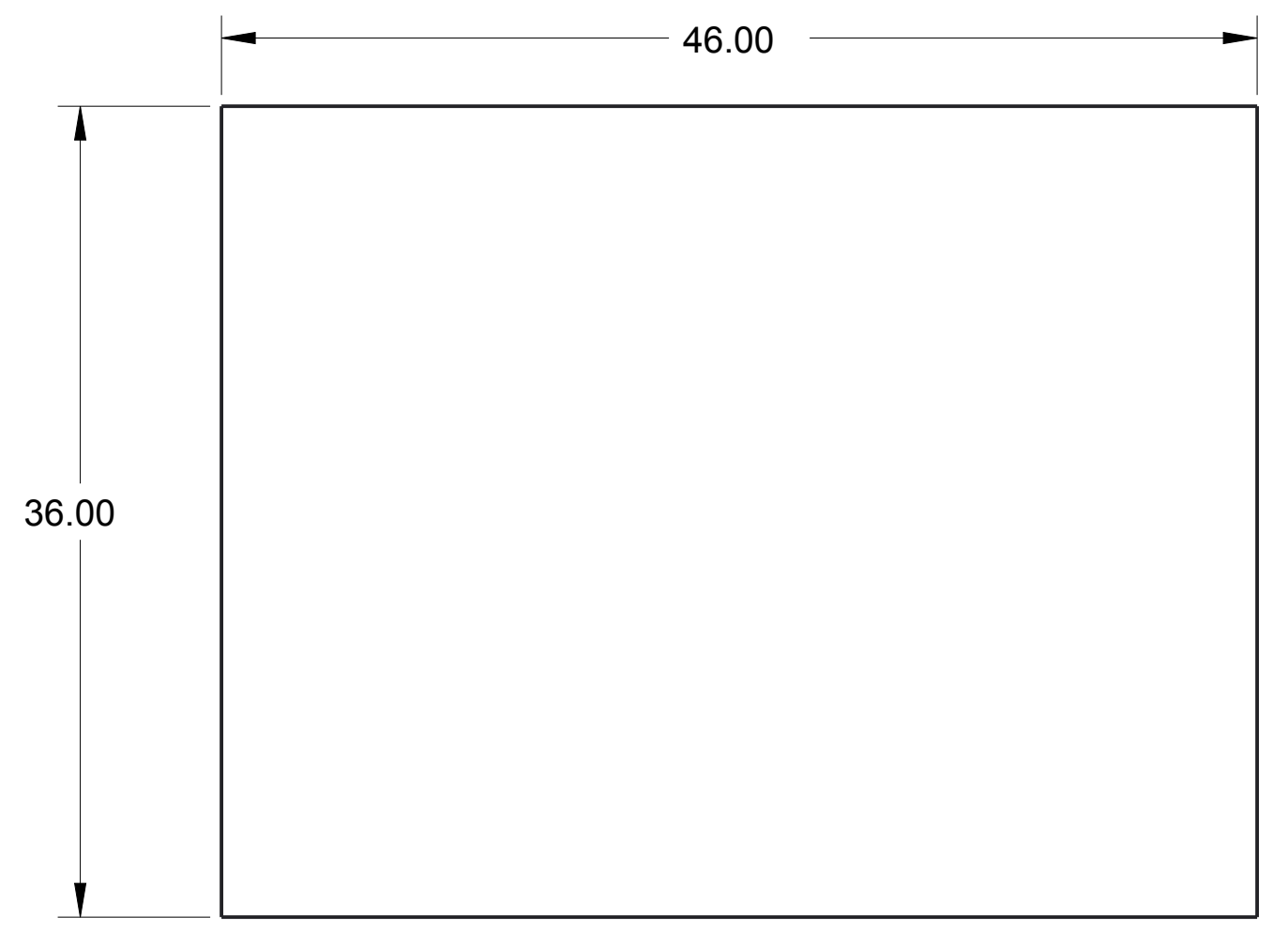
B

A

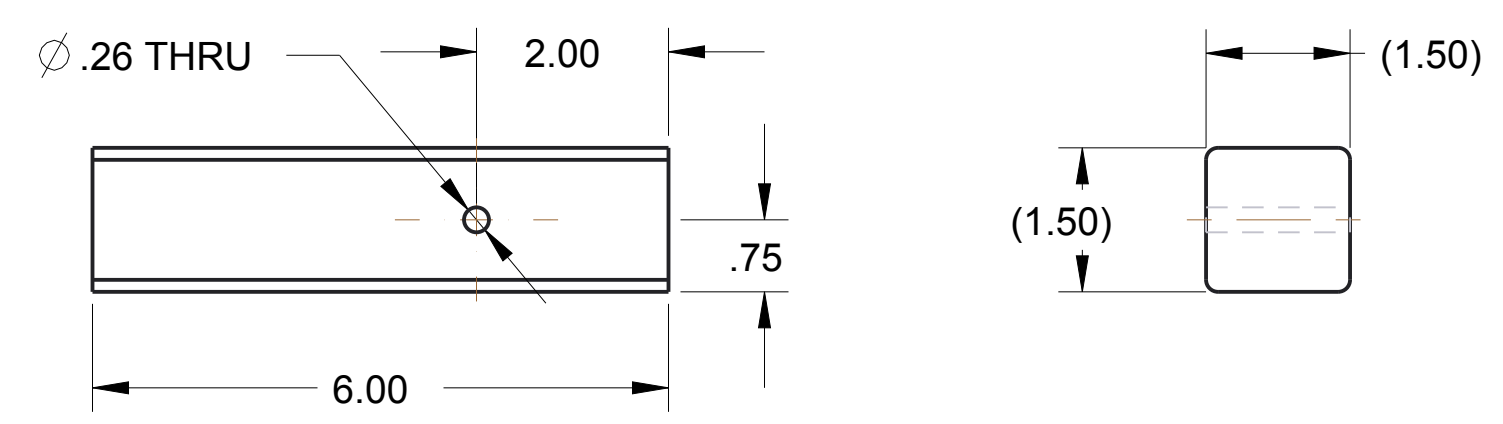


NOTE
 Part: TE-16045-06
 Material: 3/4" Plywood (23/32")
 Qty: 1
 Scale: 1:8

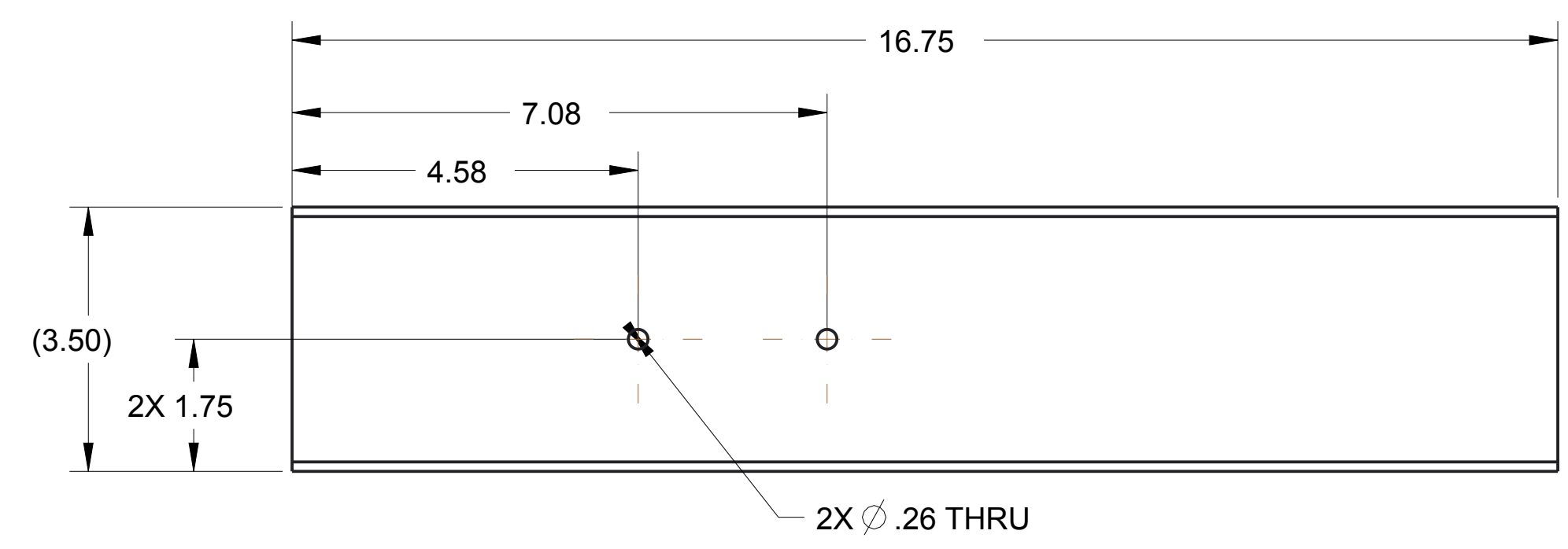
A



NOTE
 Part: TE-16045-07
 Material: 1/2" Plywood (15/32")
 Qty: 1
 Scale: 1:8



NOTE
 Part: TE-16045-08
 Material: 2x2 Lumber
 Qty: 2
 Scale: 1:2



NOTE
 Part: TE-16045-09
 Material: 2x4 Lumber
 Qty: 2
 Scale: 1:2

	DRAWN BY	DATE
	CHECKED BY	DATE
	APPROVED BY	DATE
	SCALE 1:8 SHEET 4 OF 5	
TITLE: Team Drawbridge		
PROJECT:		MODEL NAME: TE-16045
ISSUE:		

UNLESS OTHERWISE SPECIFIED ALL DIMENSIONS ARE IN INCHES.
 TOLERANCES ARE:
 XXX +/- .01
 XXXX +/- .001
 ANG +/- .1
 DO NOT SCALE

1 2 3 4 5 6 7 8

MODEL NAME: TE-16045
 TITLE: Team Drawbridge

60.00

18.63

17.12

.00

23.75

16.88


11.88

.00

(.47)

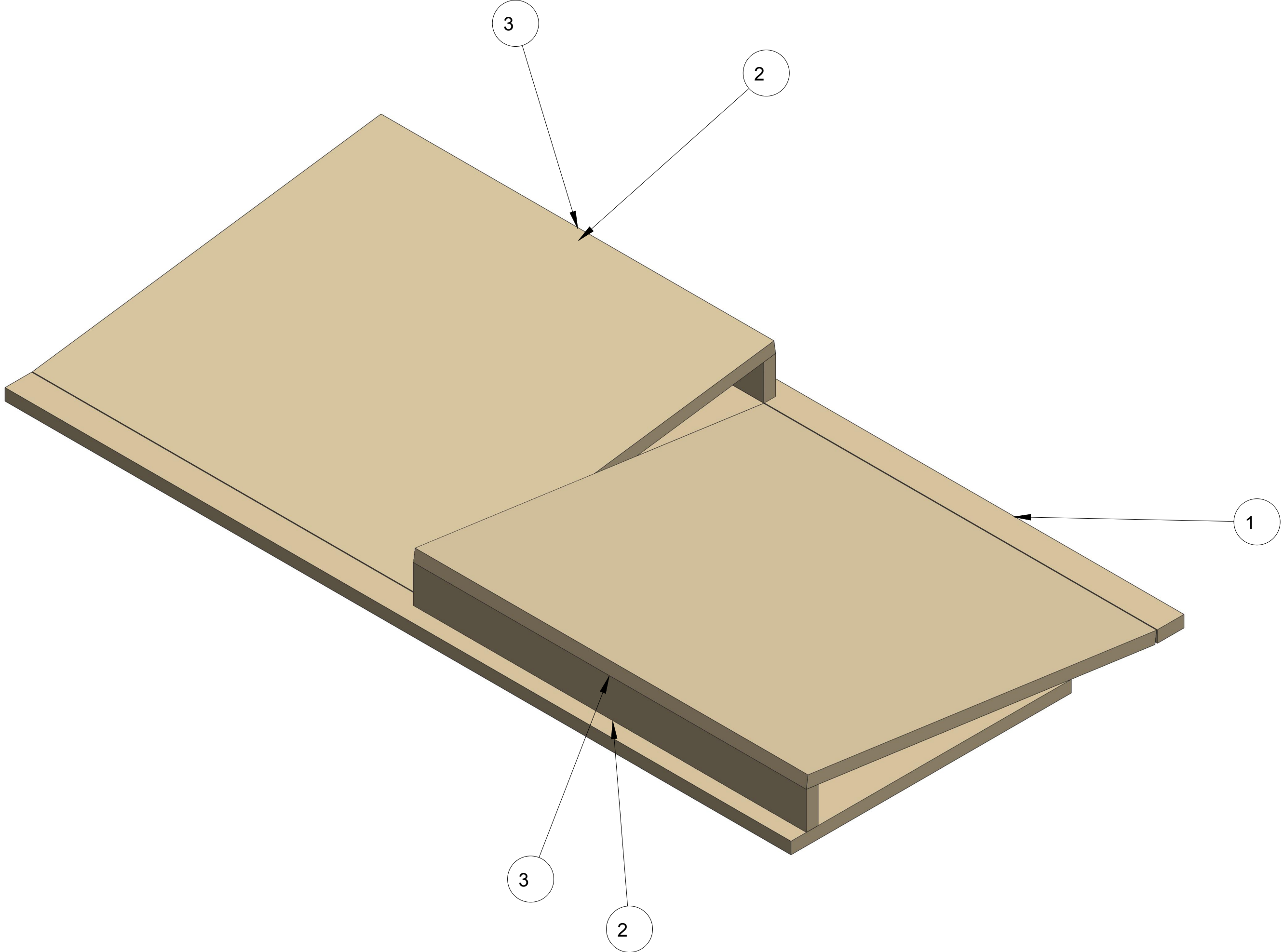
NOTE

Part: TE-16045-05
 Material: 1/2" Plywood (15/32")
 Qty: 2
 Scale: 1:4


	DRAWN BY	DATE
	CHECKED BY	DATE
	APPROVED BY	DATE
	<small>THIS DOCUMENT IS SUPPLIED IN CONFIDENCE. NO REPRODUCTION OF THIS DOCUMENT IN PART OR IN WHOLE OR THE DISCLOSURE OF THE ITEMS SHOWN MAY BE MADE WITHOUT THE COPYRIGHT OWNER'S WRITTEN PERMISSION.</small>	
TITLE: Team Drawbridge		SCALE 3:16 SHEET 5 OF 5
PROJECT:		MODEL NAME: TE-16045
ISSUE:		

UNLESS OTHERWISE SPECIFIED ALL DIMENSIONS ARE IN INCHES.
 TOLERANCES ARE:
 XXX ± 0.1
 XXXX ± 0.01
 XXXX ± 0.001
 ANG ± .1

DO NOT SCALE



ITEM NO	PART NUMBER	QTY	DESCRIPTION	NOTES
1	TE-16054-01	1	te-16054-01.prt	3/4" Plywood
2	TE-16054-02	2	te-16054-02.prt	3/4" Plywood
3	TE-16054-03	2	te-16054-03.prt	3/4" Plywood

	DRAWN BY	DATE
	CHECKED BY	DATE
<small>THIS DOCUMENT IS SUPPLIED IN CONFIDENCE. NO REPRODUCTION OF THIS DOCUMENT IN PART OR IN WHOLE OR THEREON OF THE ITEMS SHOWN MAY BE MADE WITHOUT THE COPYRIGHT OWNERS WRITTEN PERMISSION</small>	APPROVED BY	DATE
	SCALE 1:4	SHEET 1 OF 4
TITLE Team Ramparts		
UNLESS OTHERWISE SPECIFIED ALL DIMENSIONS ARE IN INCHES. TOLERANCES ARE: .XX ±0.1 .XXX ±0.01 X.XXX ±0.001 ANG ±1	PROJECT	MODEL NAME TE-16054
DO NOT SCALE		ISSUE

D
C
B
A

D
C
B
A

1 2 3 4

1 2 3 4

D

D

C

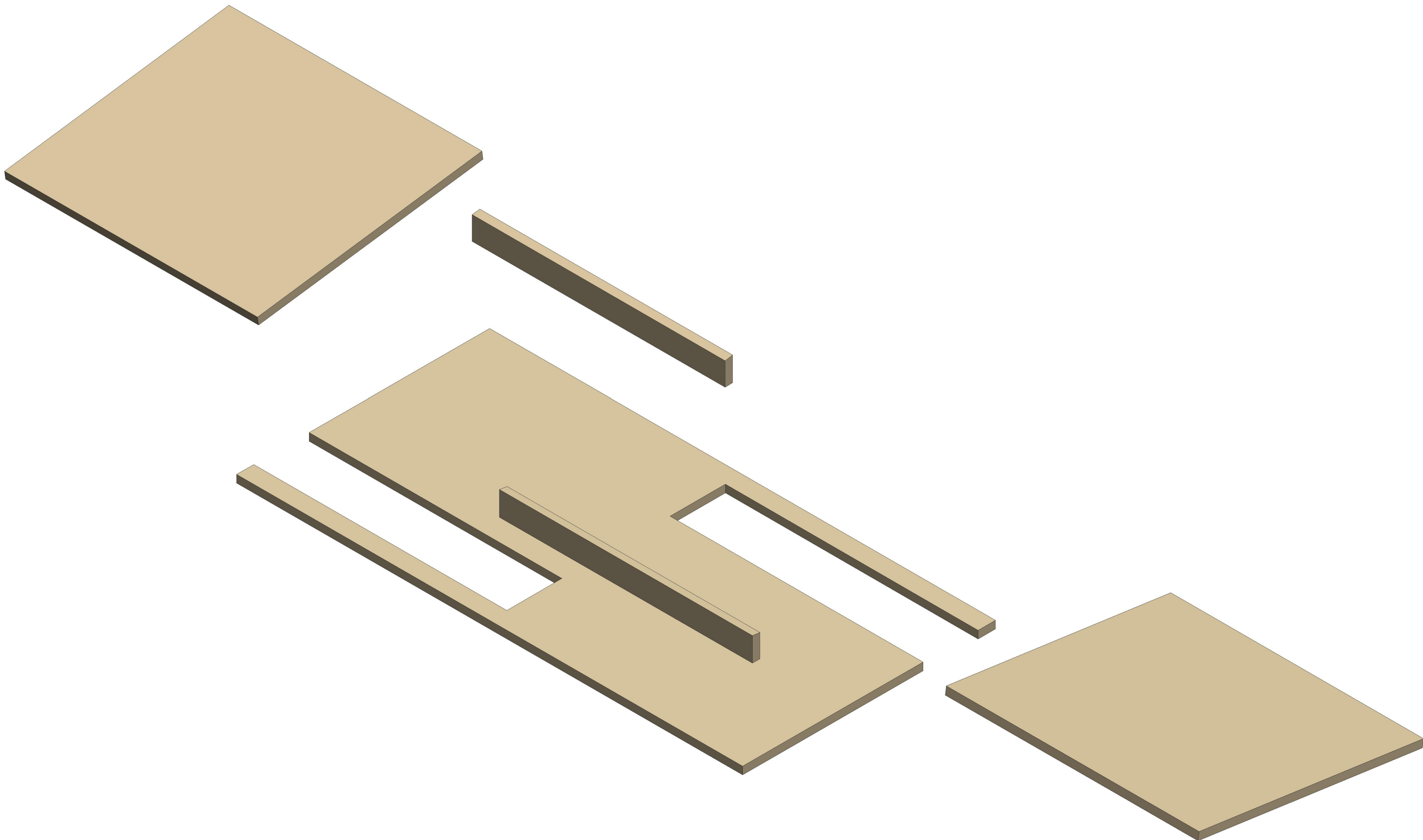
C

B

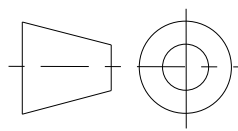

B

A

A



SCALE 3:16

		DRAWN BY	DATE
		CHECKED BY	DATE
<small>UNLESS OTHERWISE SPECIFIED ALL DIMENSIONS ARE IN INCHES. TOLERANCES ARE: X.X +/- 0.1 X.XX +/- 0.01 X.XXX +/- 0.001 ANG +/- 1</small>	<small>THIS DOCUMENT IS SUPPLIED IN CONFIDENCE. NO REPRODUCTION OF THIS DOCUMENT IN PART OR IN WHOLE OR THEREON OF THE ITEMS SHOWN MAY BE MADE WITHOUT THE COPYRIGHT OWNERS WRITTEN PERMISSION</small>	APPROVED BY	DATE
		SCALE 1:4	SHEET 2 OF 4
TITLE Team Ramparts			
PROJECT		MODEL NAME TE-16054	ISSUE
DO NOT SCALE			

1

2

3

4

MODEL NAME
TE-16054

TITLE
Team Ramparts

1

2

3

4

D

D

C

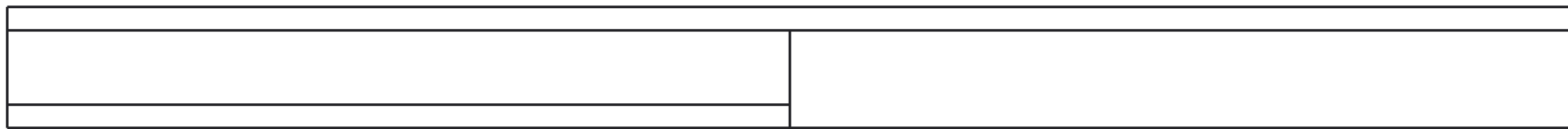
C

B

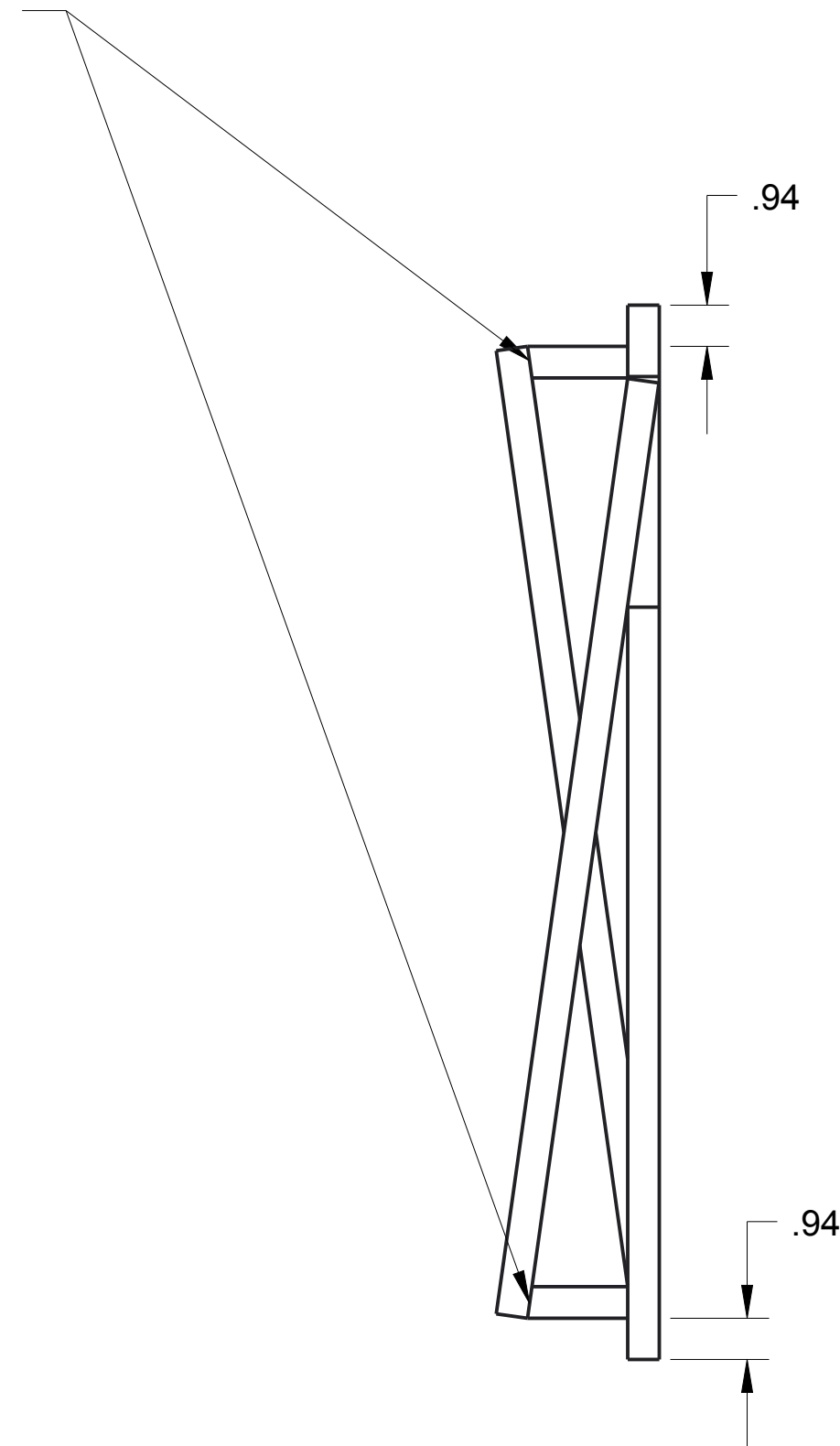
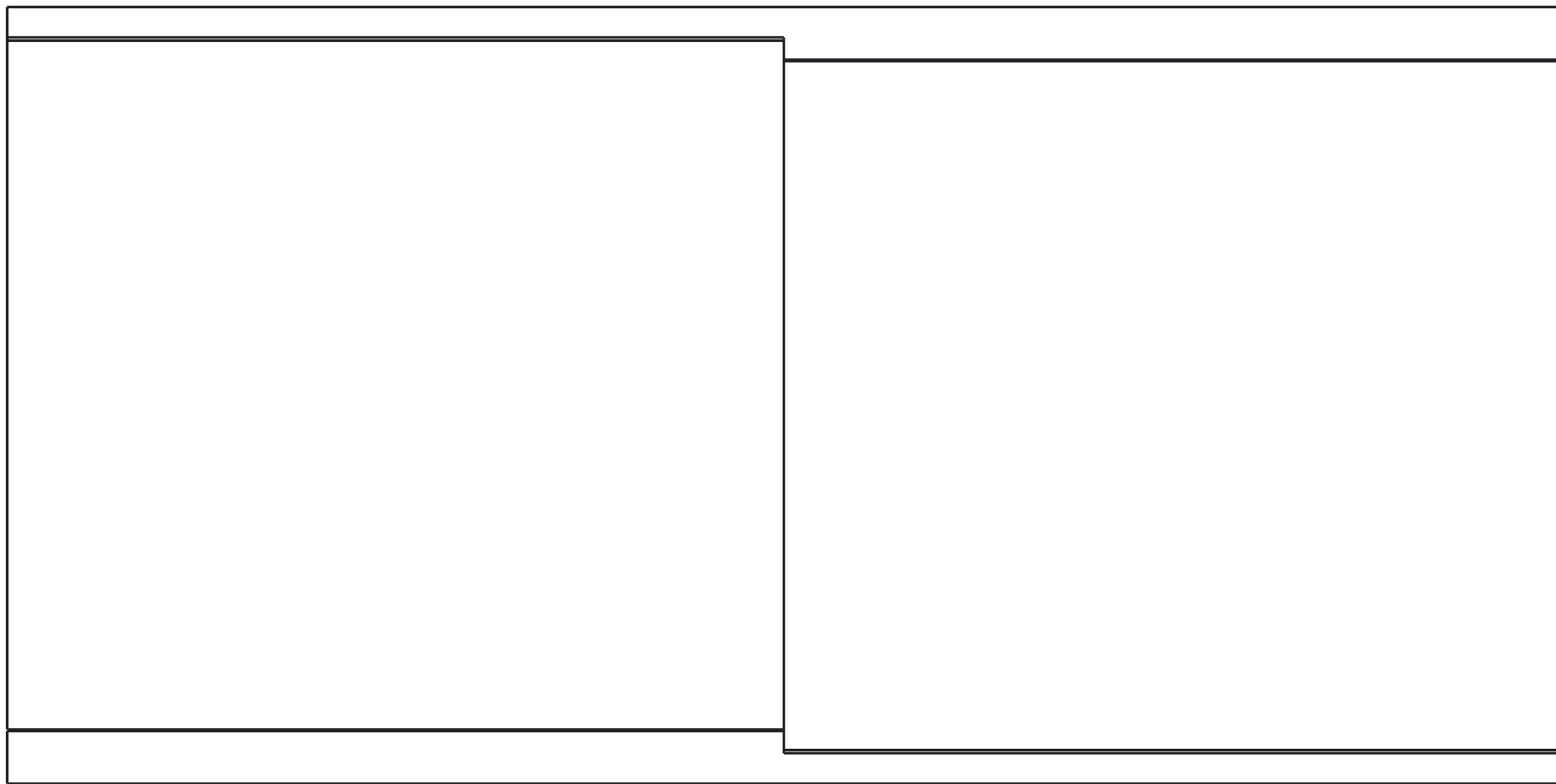
B

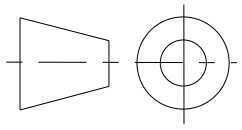

A

A



NOTE: Secure together with wood screws and wood glue.



 <small>UNLESS OTHERWISE SPECIFIED ALL DIMENSIONS ARE IN INCHES. TOLERANCES ARE: X.X +/- 0.1 X.XX +/- 0.01 X.XXX +/- 0.001 ANG +/- 1</small> DO NOT SCALE	 <small>THIS DOCUMENT IS SUPPLIED IN CONFIDENCE. NO REPRODUCTION OF THIS DOCUMENT IN PART OR IN WHOLE OR THEREON OF THE ITEMS SHOWN MAY BE MADE WITHOUT THE COPYRIGHT OWNERS WRITTEN PERMISSION</small>	DRAWN BY	DATE
		CHECKED BY	DATE
	Team Ramparts		APPROVED BY
<small>TITLE</small>		SCALE 1:4	SHEET 3 OF 4
<small>PROJECT</small>		MODEL NAME TE-16054	ISSUE

1

2

3

4

MODEL NAME
TE-16054

TITLE
Team Ramparts

1

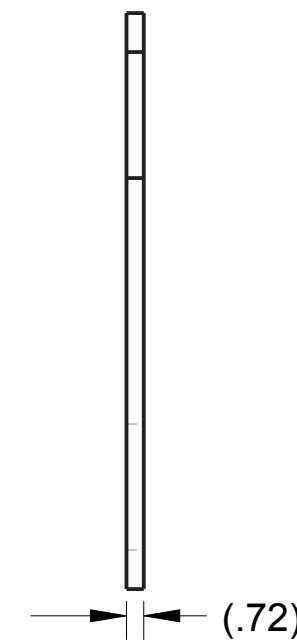
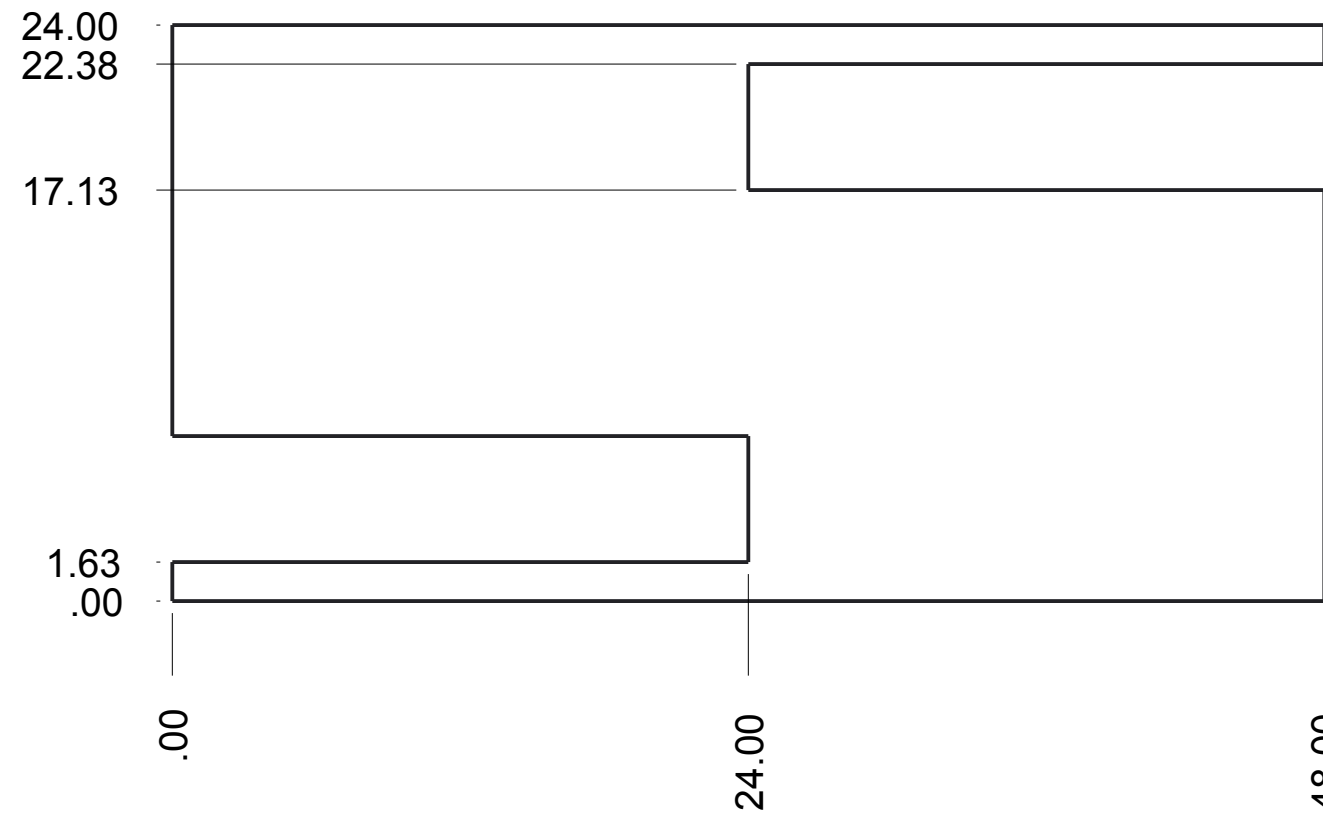
2

3

4

D

D

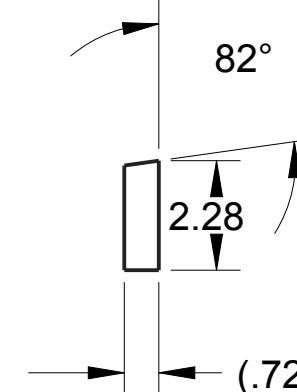
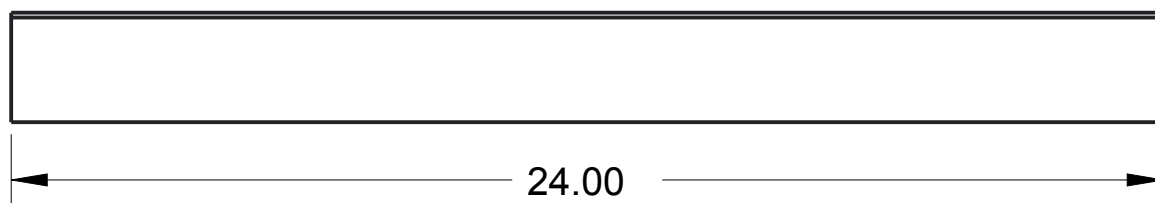


NOTE

Part: TE-16054-01
 Material: 3/4" Plywood (23/32")
 Scale: 1:8
 Qty: 1

C

C

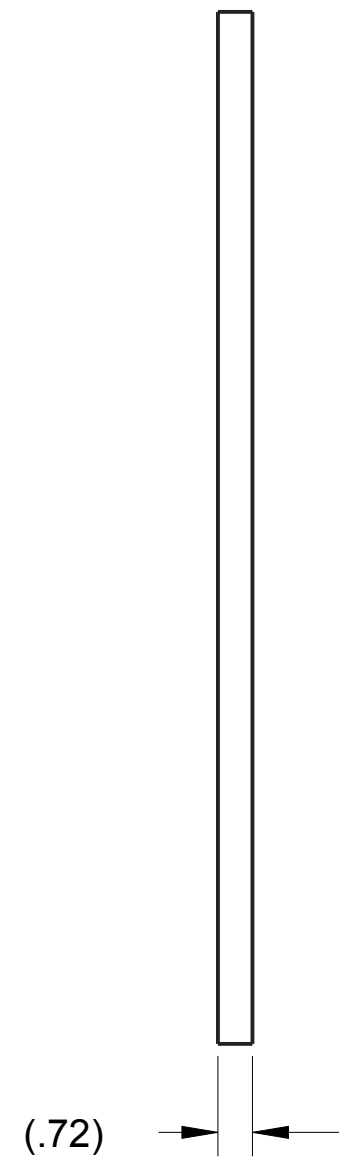
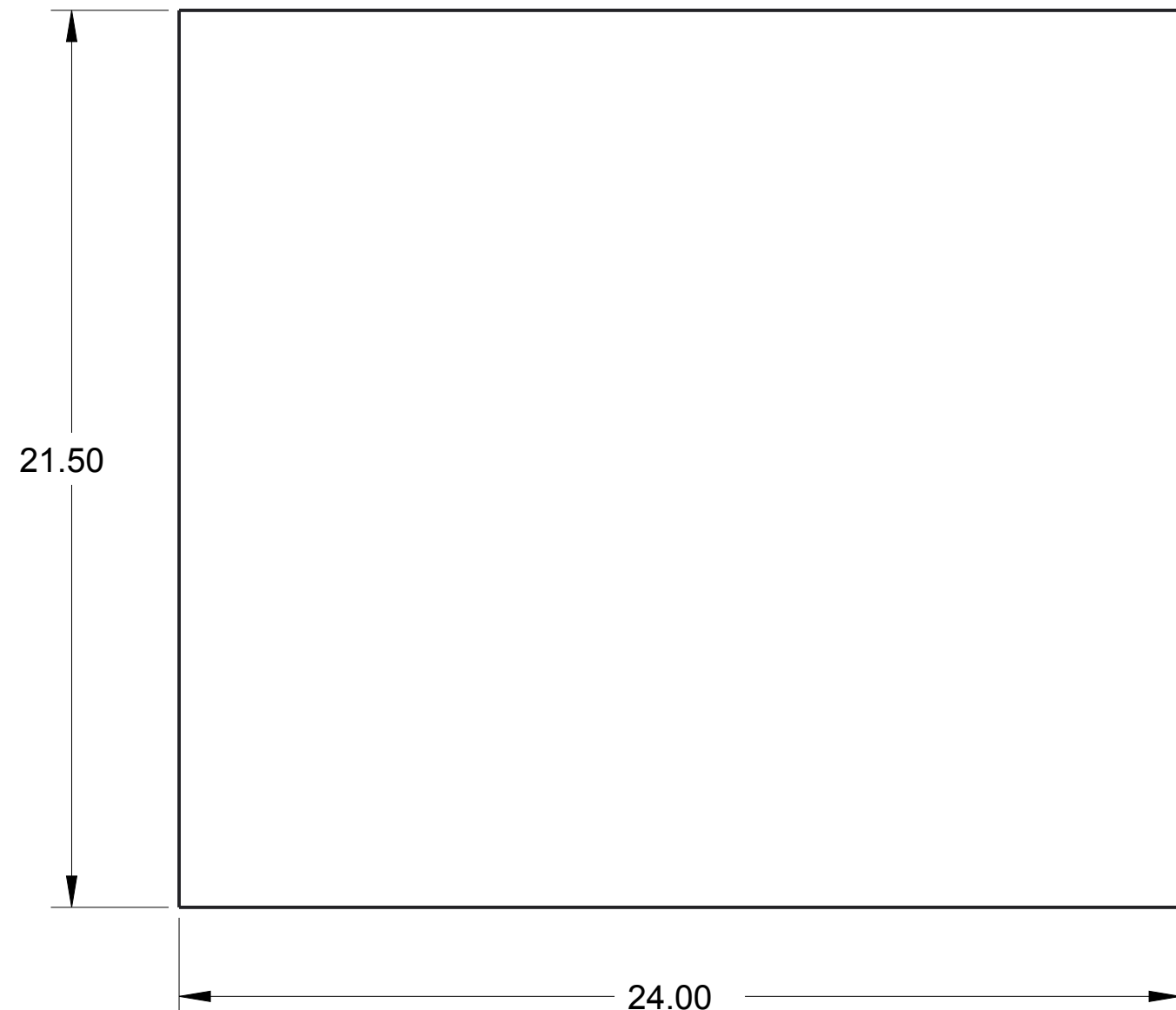


NOTE

Part: TE-16054-02
 Material: 3/4" Plywood (23/32")
 Scale: 1:4
 Qty: 2

B

B



NOTE

Part: TE-16054-03
 Material: 3/4" Plywood (23/32")
 Scale: 1:4
 Qty: 2

A

A

	DRAWN BY	DATE
	CHECKED BY	DATE
	APPROVED BY	DATE
<small>THIS DOCUMENT IS SUPPLIED IN CONFIDENCE. NO REPRODUCTION OF THIS DOCUMENT IN PART OR IN WHOLE OR THEREON OF THE ITEMS SHOWN MAY BE MADE WITHOUT THE COPYRIGHT OWNERS WRITTEN PERMISSION</small>		SCALE 1:4
TITLE Team Ramparts		
PROJECT		MODEL NAME TE-16054
ISSUE		

UNLESS OTHERWISE SPECIFIED ALL DIMENSIONS ARE IN INCHES.
 TOLERANCES ARE:
 .XX +/- 0.1
 .XXX +/- 0.01
 X.XXX +/- 0.001
 ANG +/- .1
DO NOT SCALE

1

2

3

4

D

D

C

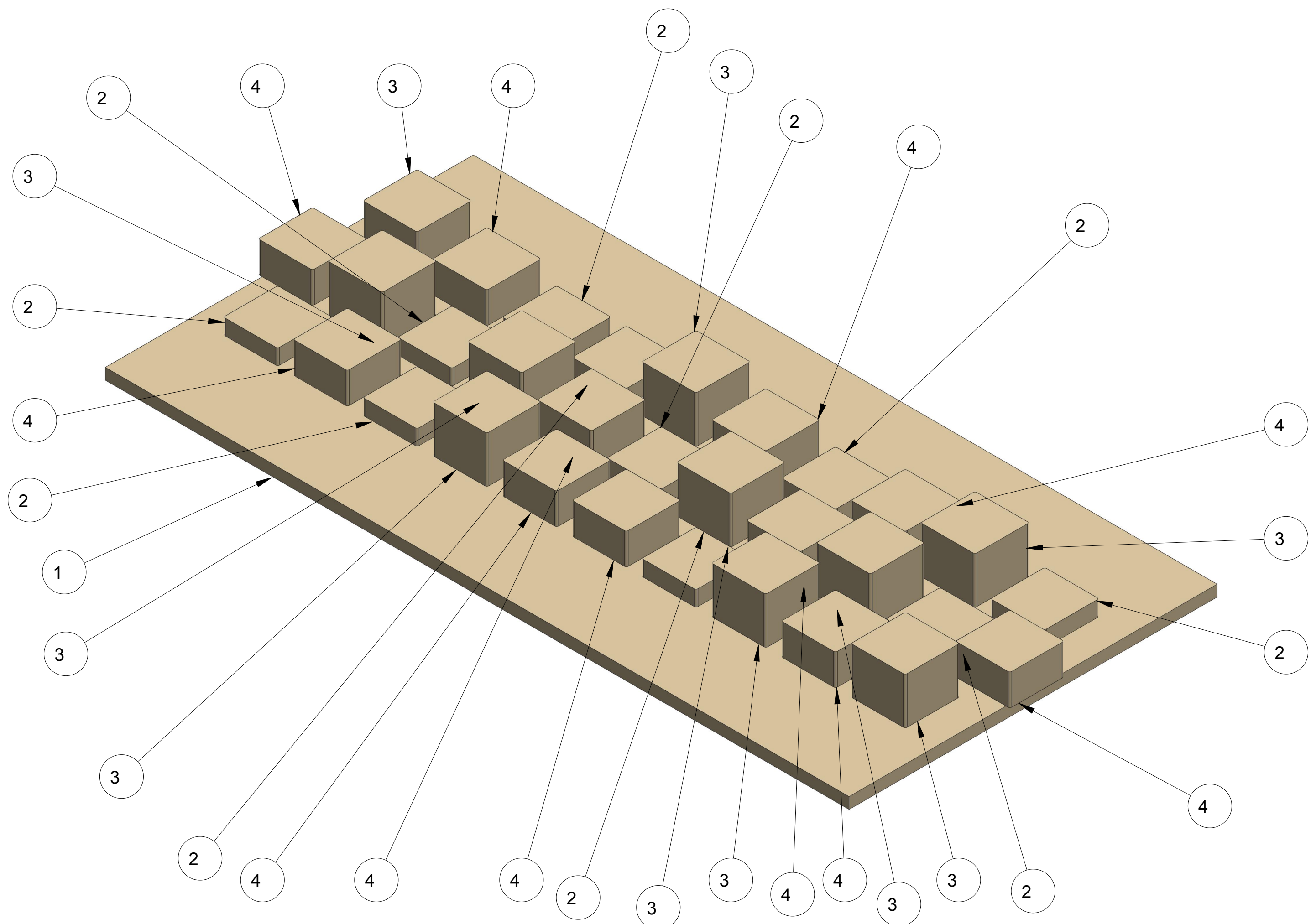
C

B

B

A

A



ITEM NO	PART NUMBER	QTY	DESCRIPTION	NOTES
1	TE-16060-01	1	te RT base	3/4" Plywood
2	TE-16060-02	10	te RT 02	4x4 Lumber
3	TE-16060-03	10	te RT 03	4x4 Lumber
4	TE-16060-04	11	te RT 04	4x4 Lumber

		DRAWN BY	DATE
		CHECKED BY	DATE
<small>UNLESS OTHERWISE SPECIFIED ALL DIMENSIONS ARE IN INCHES. TOLERANCES ARE: X.XX +/- 0.1 X.XXX +/- 0.01 X.XXXX +/- 0.001 ANG +/- 1</small>	<small>THIS DOCUMENT IS SUPPLIED IN CONFIDENCE. NO REPRODUCTION OF THIS DOCUMENT IN PART OR IN WHOLE OR THEREON OF THE ITEMS SHOWN MAY BE MADE WITHOUT THE COPYRIGHT OWNERS WRITTEN PERMISSION</small>	APPROVED BY	DATE
		SCALE 1:4	SHEET 1 OF 3
TITLE: Team RT			
PROJECT:		MODEL NAME: TE-16060	ISSUE:
DO NOT SCALE			

1

2

3

4

D

D

C

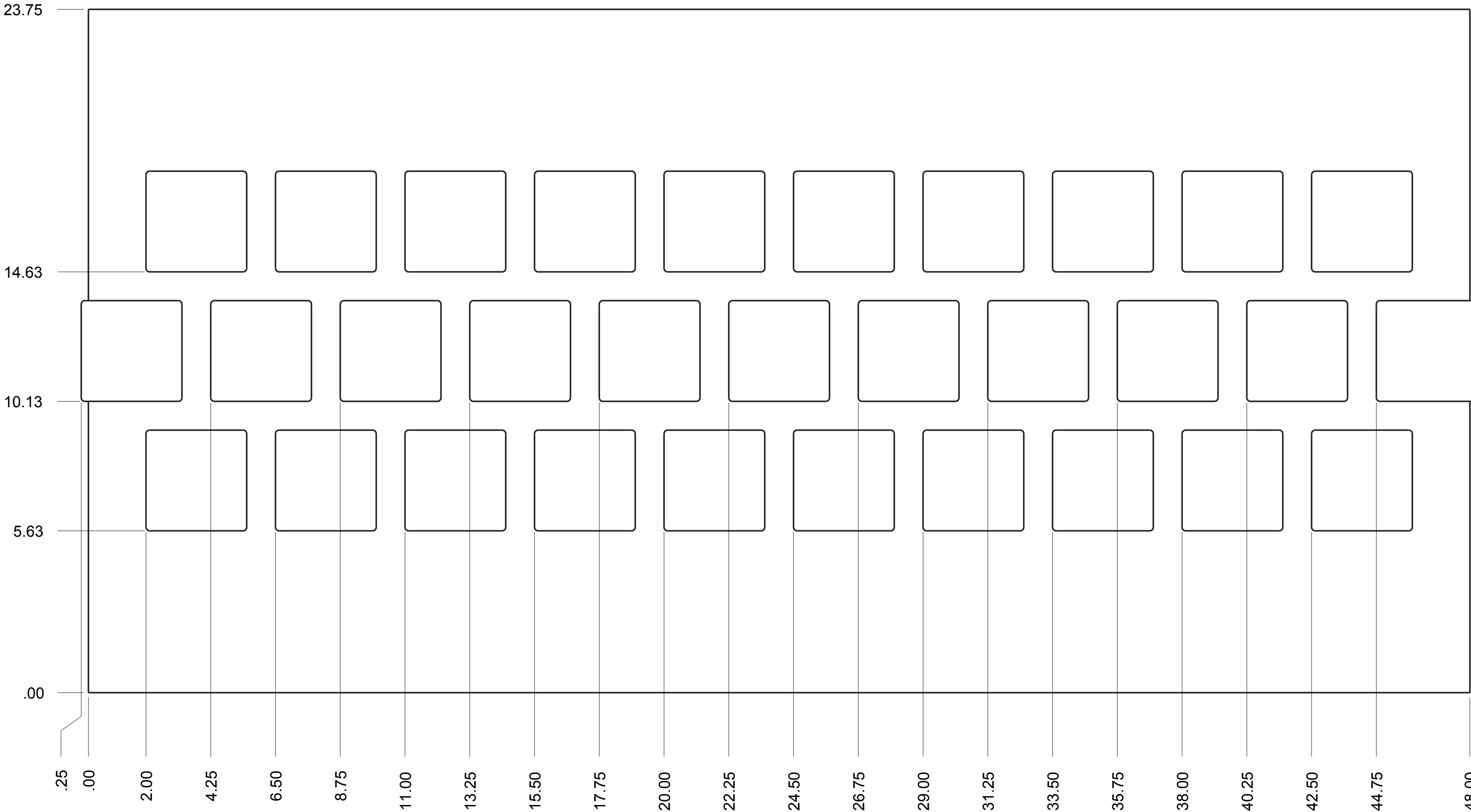
C

B

B

A

A



NOTE: Team version made with 4x4 lumber instead of 3" square tubing. If 3" sections are desired, 4x4 will need to be cut down. Understand that dimensions will need to be adjusted if you use cut-down 4x4 lumber.

	DRAWN BY	DATE
	CHECKED BY	DATE
	APPROVED BY	DATE
<small>THIS DOCUMENT IS SUPPLIED IN CONFIDENCE. NO REPRODUCTION OF THIS DOCUMENT IN PART OR IN WHOLE OR THEREON OF THE ITEMS SHOWN MAY BE MADE WITHOUT THE COPYRIGHT OWNERS WRITTEN PERMISSION</small>	SCALE 1:4	SHEET 2 OF 3
<small>UNLESS OTHERWISE SPECIFIED ALL DIMENSIONS ARE IN INCHES. TOLERANCES ARE: .XX +/- 0.1 .XXX +/- 0.01 X.XXX +/- 0.001 ANG +/- 1</small>	TITLE: Team RT	
DO NOT SCALE	PROJECT	MODEL NAME: TE-16060
		ISSUE

MODEL NAME
TE-16060

TITLE
Team RT

1

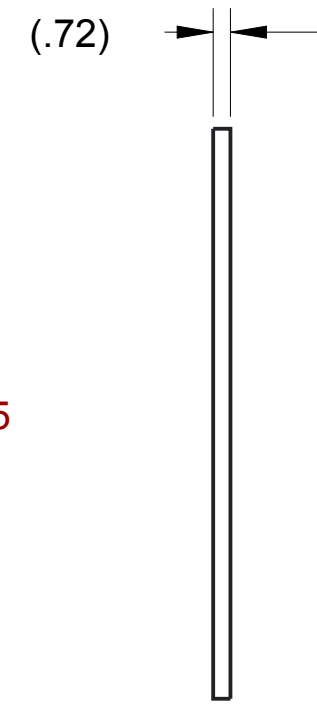
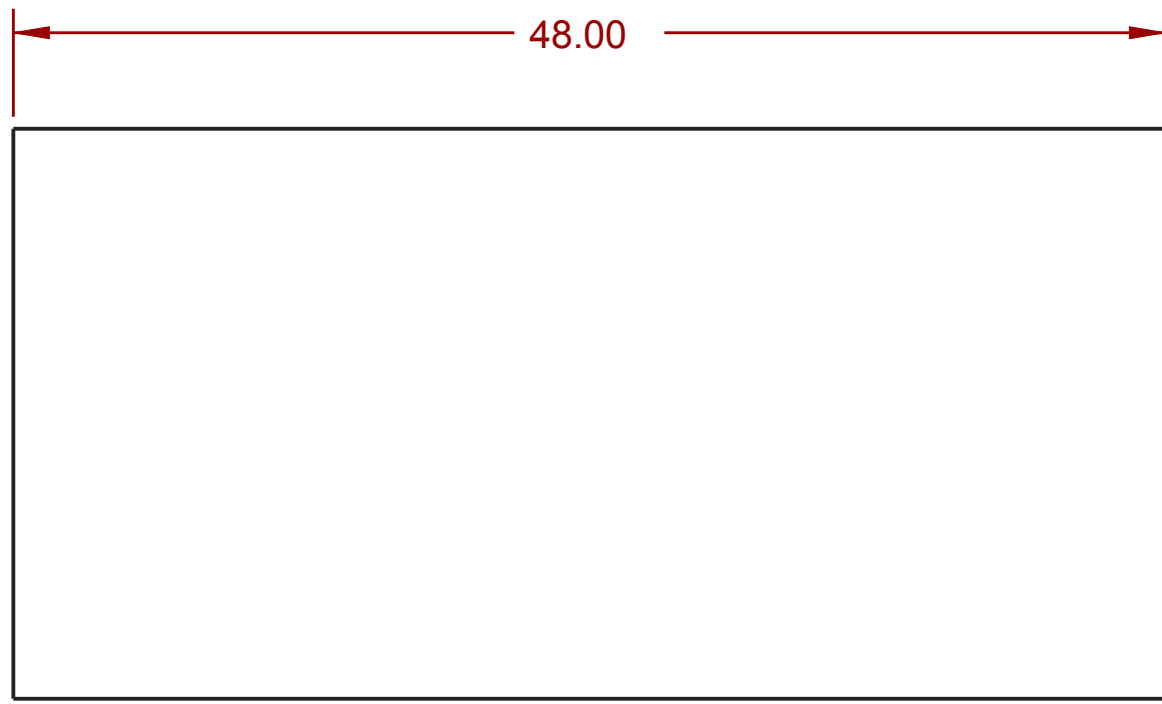
2

3

4

D

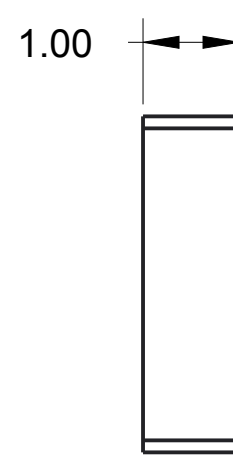
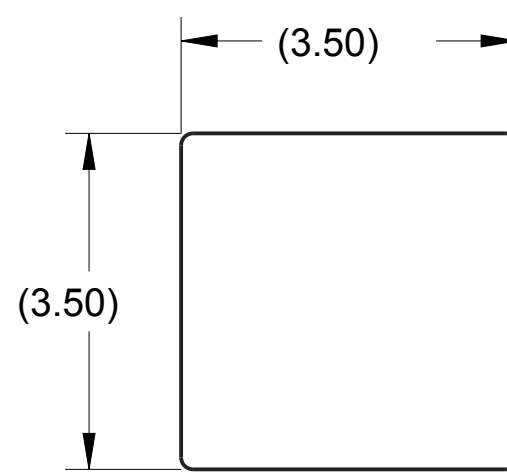
D



NOTE
 Part: TE-16060-01
 Material: 3/4" Plywood (23/32)
 Qty: 1
 Scale:1:8

C

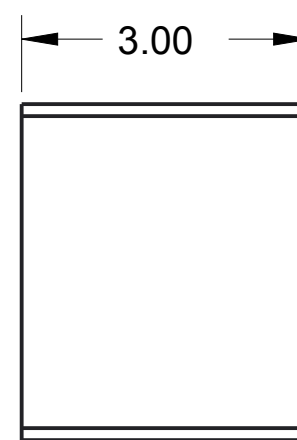
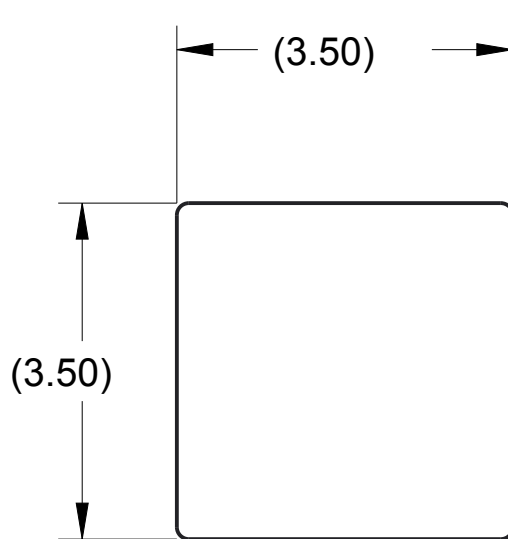
C



NOTE
 Part: TE-16060-02
 Material: 4x4 Lumber
 Qty: 10
 Scale:1:2

B

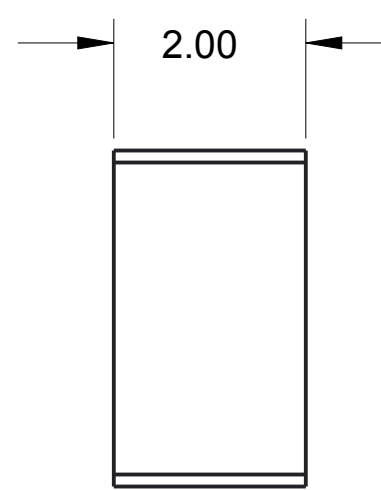
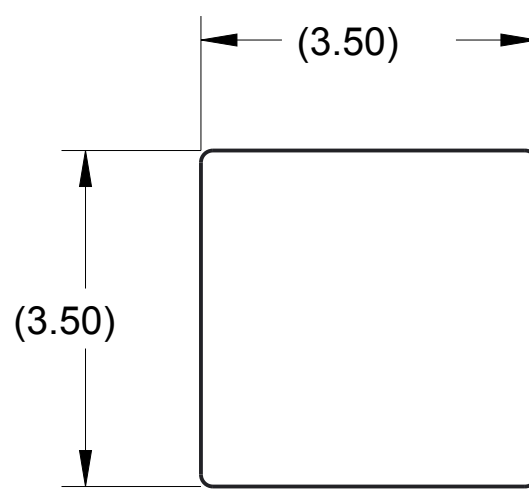
B



NOTE
 Part: TE-16060-03
 Material: 4x4 Lumber
 Qty: 10
 Scale:1:2

A

A



NOTE
 Part: TE-16060-04
 Material: 4x4 Lumber
 Qty: 11
 Scale:1:2

		DRAWN BY	DATE
		CHECKED BY	DATE
		APPROVED BY	DATE
<small>THIS DOCUMENT IS SUPPLIED IN CONFIDENCE. NO REPRODUCTION OF THIS DOCUMENT IN PART OR IN WHOLE OR THEREON OF THE ITEMS SHOWN MAY BE MADE WITHOUT THE COPYRIGHT OWNERS WRITTEN PERMISSION</small>		SCALE 1:4	SHEET 3 OF 3
<small>UNLESS OTHERWISE SPECIFIED ALL DIMENSIONS ARE IN INCHES. TOLERANCES ARE: .XX +/- 0.1 .XXX +/- 0.01 X.XXX +/- 0.001 ANG +/- .1</small>		TITLE Team RT	
DO NOT SCALE		PROJECT	MODEL NAME TE-16060
			ISSUE

1

2

3

4

D

D

C

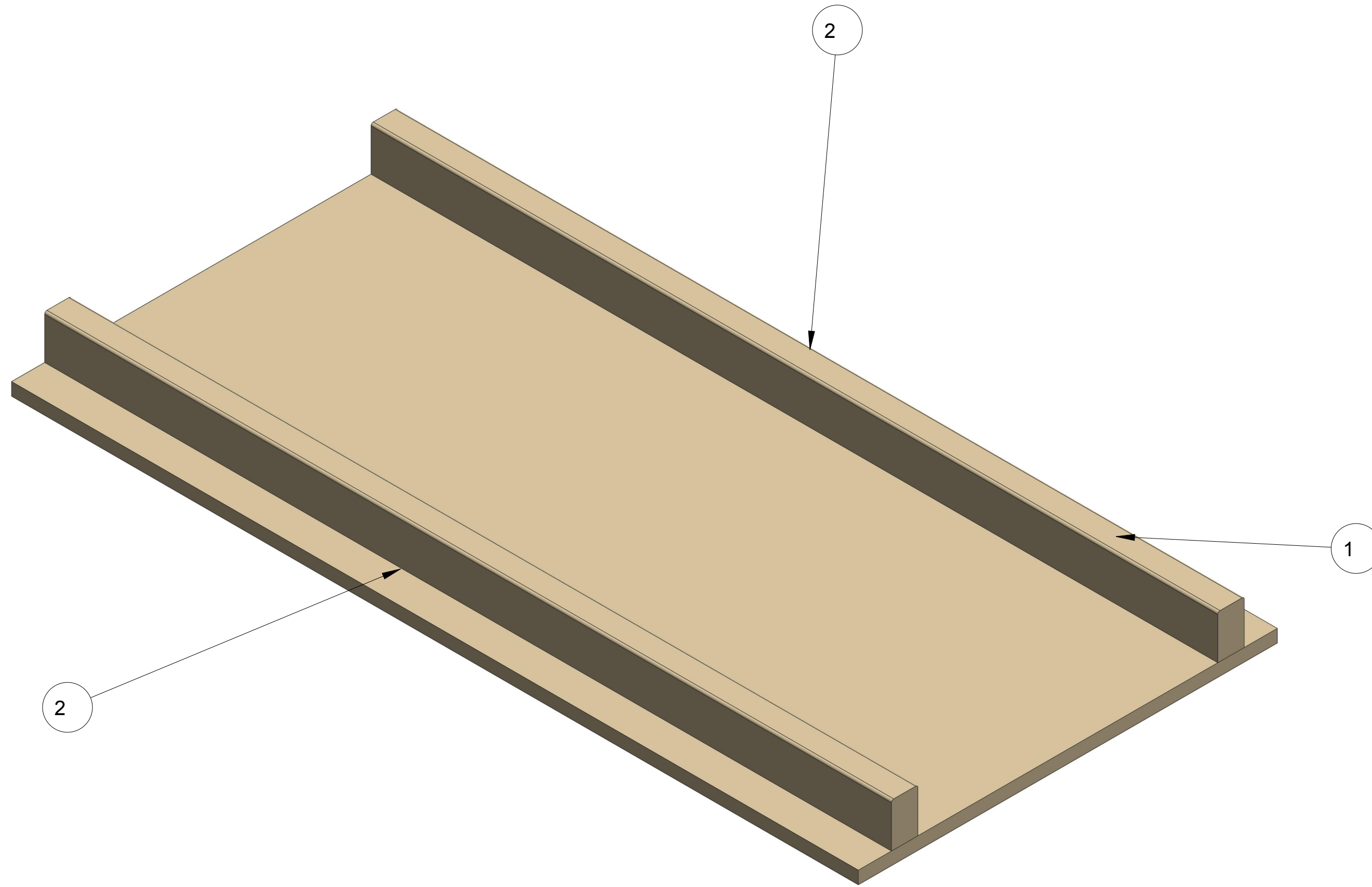
C

B

B

A

A



ITEM NO	PART NUMBER	QTY	DESCRIPTION	NOTES
1	TE-16075-01	1	te moat base	3/4" Plywood
2	TE-16075-02	2	te moat wall	2x4 Lumber

		DRAWN BY	DATE
		CHECKED BY	DATE
		APPROVED BY	DATE
<small>THIS DOCUMENT IS SUPPLIED IN CONFIDENCE. NO REPRODUCTION OF THIS DOCUMENT IN PART OR IN WHOLE OR THEREON OF THE ITEMS SHOWN MAY BE MADE WITHOUT THE COPYRIGHT OWNERS WRITTEN PERMISSION</small>		SCALE 1:4	SHEET 1 OF 3
<small>UNLESS OTHERWISE SPECIFIED ALL DIMENSIONS ARE IN INCHES. TOLERANCES ARE: X.X +/- 0.1 X.XX +/- 0.01 X.XXX +/- 0.001 ANG +/- 1</small>		Team Moat	
DO NOT SCALE		PROJECT	MODEL NAME TE-16075
			ISSUE

1

2

3

4

MODEL NAME
TE-16075

TITLE
Team Moat

1

2

3

4

D

D

NOTE: Secure with Wood Screws

C

C

1.88

1.88

23.75

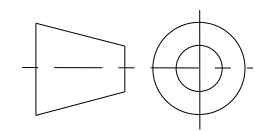
B

B

3.22

A

A



DRAWN BY	DATE
CHECKED BY	DATE
APPROVED BY	DATE

THIS DOCUMENT IS SUPPLIED IN CONFIDENCE. NO REPRODUCTION OF THIS DOCUMENT IN PART OR IN WHOLE OR THEREON OF THE ITEMS SHOWN MAY BE MADE WITHOUT THE COPYRIGHT OWNERS WRITTEN PERMISSION

SCALE 1:4 SHEET 2 OF 3

UNLESS OTHERWISE SPECIFIED ALL DIMENSIONS ARE IN INCHES. TOLERANCES ARE:
X.X +/- 0.1
X.XX +/- 0.01
X.XXX +/- 0.001
ANG +/- 1

TITLE
Team Moat

PROJECT	MODEL NAME TE-16075	ISSUE
---------	------------------------	-------

DO NOT SCALE

1

2

3

4

MODEL NAME
TE-16075

TITLE
Team Moat

D

D

C

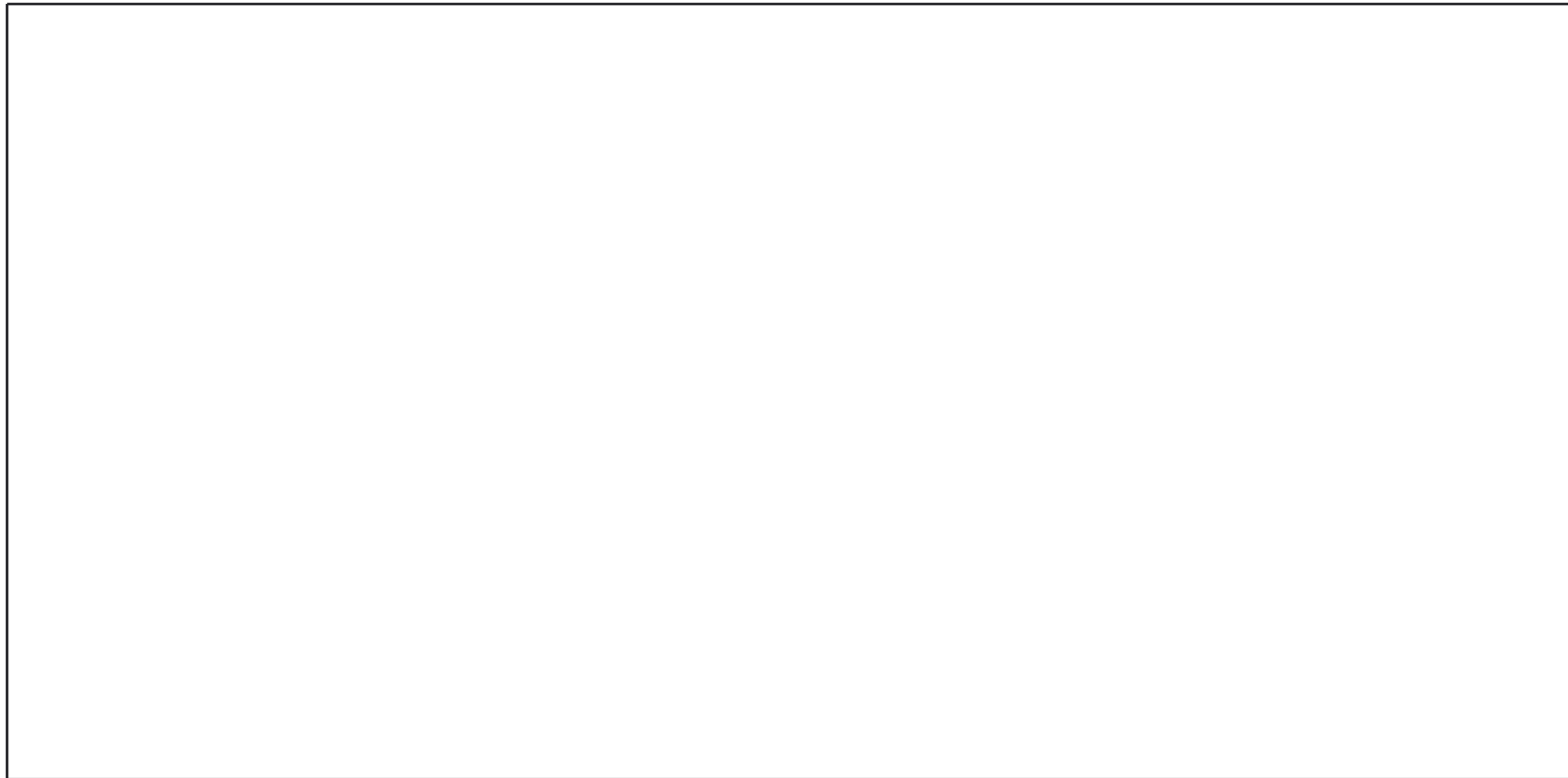
C

B

B

A

A



23.75

48.00

(.72)

NOTE

Part: TE-16075-01
Material: 3/4" Plywood (23/32)
Qty: 1
Scale: 1:4



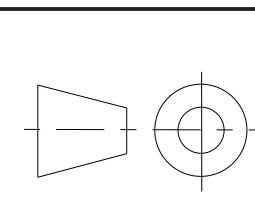
48.00

(1.50)

2.50

NOTE

Part: TE-16075-02
Material: 2x4 Lumber
Qty: 2
Scale: 1:4



DRAWN BY	DATE
CHECKED BY	DATE
APPROVED BY	DATE

THIS DOCUMENT IS SUPPLIED IN CONFIDENCE. NO REPRODUCTION OF THIS DOCUMENT IN PART OR IN WHOLE OR THEREON OF THE ITEMS SHOWN MAY BE MADE WITHOUT THE COPYRIGHT OWNERS WRITTEN PERMISSION

SCALE 1:4 SHEET 3 OF 3

UNLESS OTHERWISE SPECIFIED ALL DIMENSIONS ARE IN INCHES. TOLERANCES ARE:
X.X +/- 0.1
X.XX +/- 0.01
X.XXX +/- 0.001
ANG +/- .1

TITLE
Team Moat

PROJECT	MODEL NAME TE-16075	ISSUE
---------	------------------------	-------

DO NOT SCALE

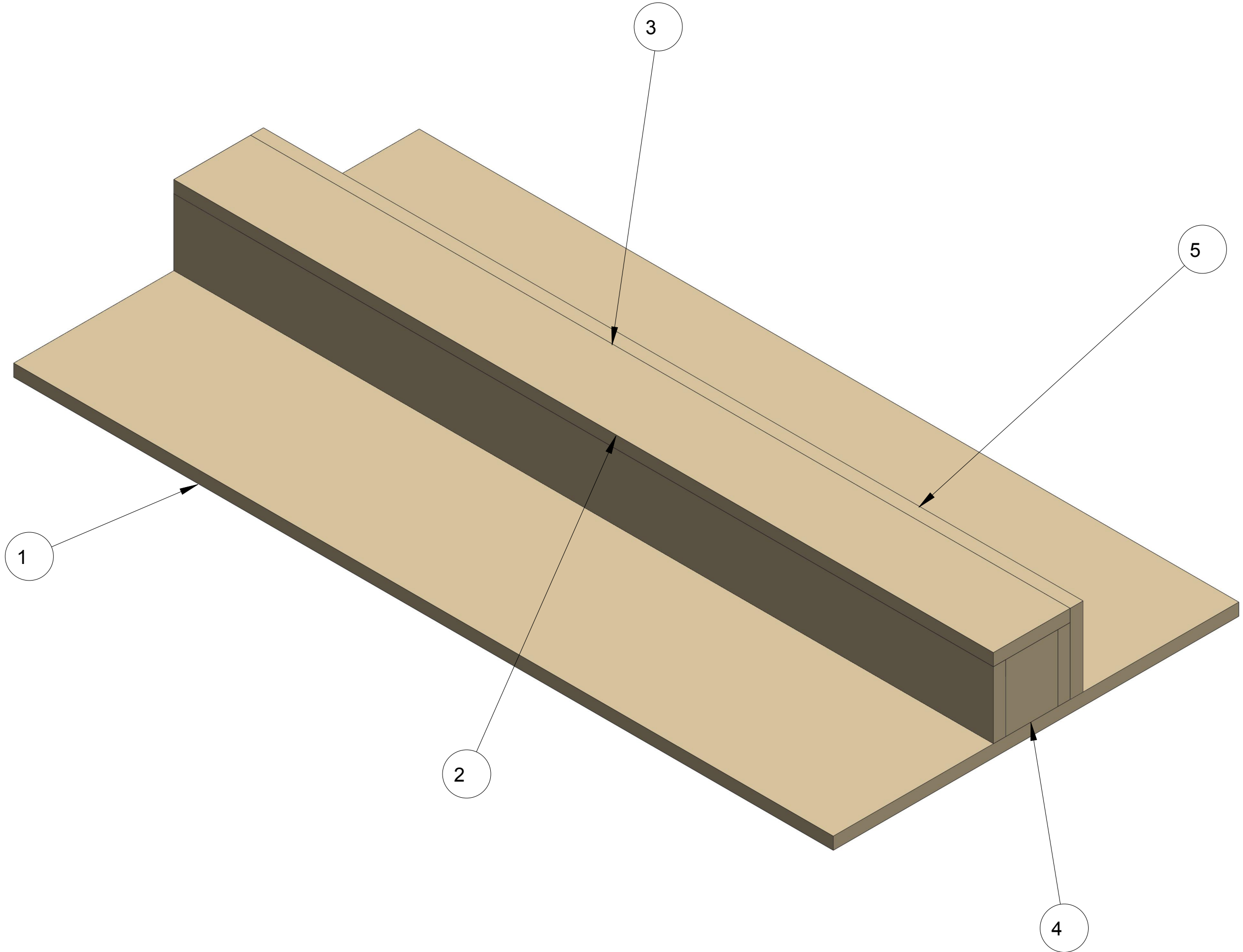
1

2

3

4

REV	ZONE	DESCRIPTION	APPROVED	DATE
A	Sheet 4, A-2, B-3	Qty Updated	NJS	12/28/15
B	A1 Sheet 3, D1 Sheet 5, D1	Added TE-16080-01 Relocated Rock Wall Updated Part Drawing		

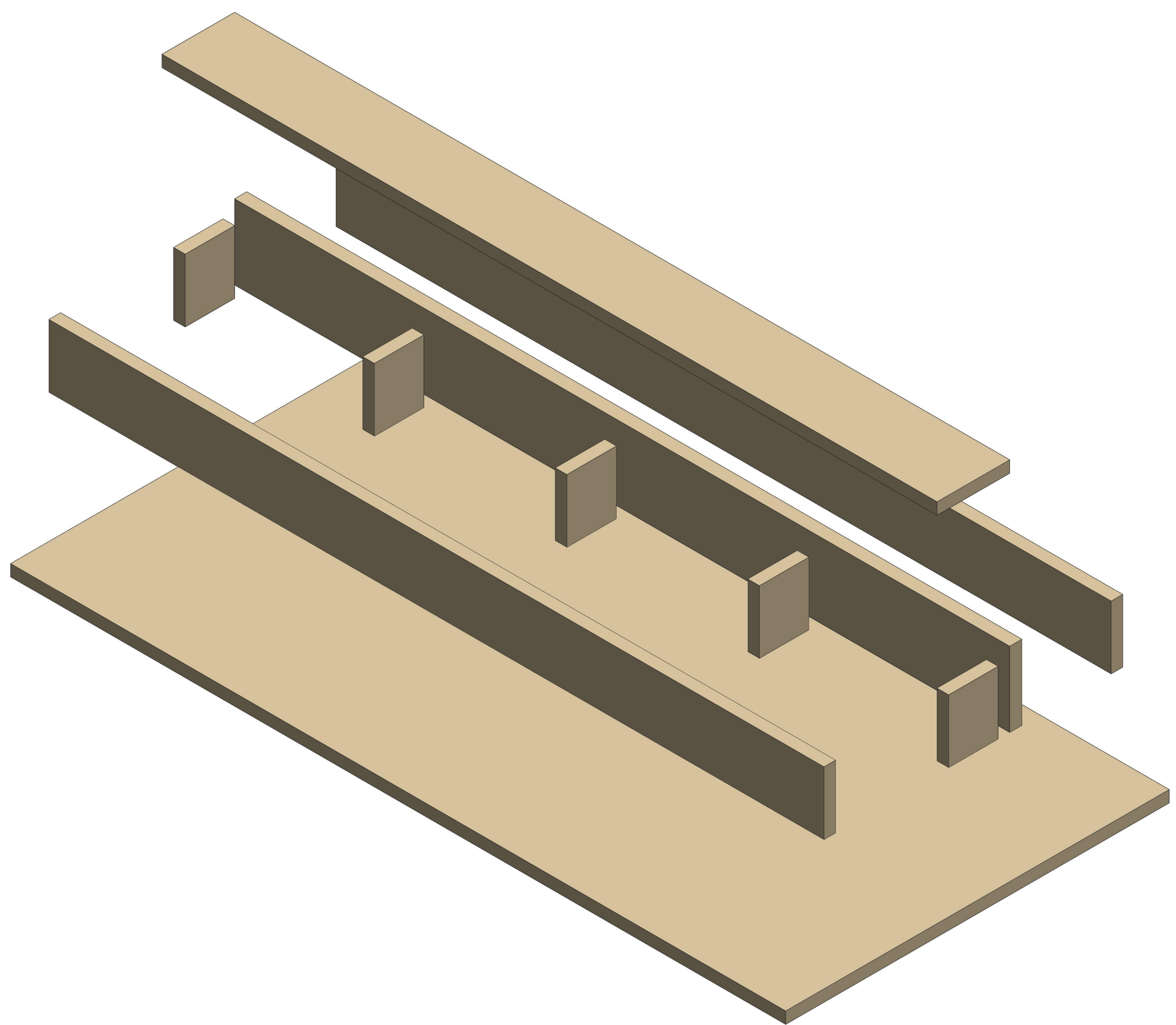


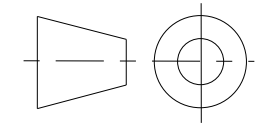

ITEM NO	PART NUMBER	QTY	DESCRIPTION	NOTES
1	TE-16080-01	1	te rock wall base	3/4" Plywood
2	TE-16080-02	2	te rock wall upright	3/4" Plywood
3	TE-16080-03	1	te rock wall top	3/4" Plywood
4	TE-16080-04	5	te rock wall rib	3/4" Plywood
5	TE-16080-05	1	te rock wall upright	3/4" Plywood

	DRAWN BY	DATE
	CHECKED BY	DATE
<small>THIS DOCUMENT IS SUPPLIED IN CONFIDENCE. NO REPRODUCTION OF THIS DOCUMENT IN PART OR IN WHOLE OR THEREON OF THE ITEMS SHOWN MAY BE MADE WITHOUT THE COPYRIGHT OWNERS WRITTEN PERMISSION</small>	APPROVED BY	DATE
	SCALE 1:4	SHEET 1 OF 5
<small>UNLESS OTHERWISE SPECIFIED ALL DIMENSIONS ARE IN INCHES. TOLERANCES ARE: .XX +/- 0.1 .XXX +/- 0.01 X.XXX +/- 0.001 ANG +/- 1</small>	TITLE TEAM ROCK WALL	
DO NOT SCALE	PROJECT	MODEL NAME TE-16080
		ISSUE

D
C
B
A

D
C
B
A



		DRAWN BY	DATE
		CHECKED BY	DATE
<small>UNLESS OTHERWISE SPECIFIED ALL DIMENSIONS ARE IN INCHES. TOLERANCES ARE: X.X +/- 0.1 X.XX +/- 0.01 X.XXX +/- 0.001 ANG +/- 1</small>	<small>THIS DOCUMENT IS SUPPLIED IN CONFIDENCE. NO REPRODUCTION OF THIS DOCUMENT IN PART OR IN WHOLE OR THEREON OF THE ITEMS SHOWN MAY BE MADE WITHOUT THE COPYRIGHT OWNERS WRITTEN PERMISSION</small>	APPROVED BY	DATE
		SCALE 1:4	SHEET 2 OF 5
TITLE TEAM ROCK WALL			
PROJECT		MODEL NAME TE-16080	ISSUE
DO NOT SCALE			

1

2

3

4

MODEL NAME
TE-16080

TITLE
TEAM ROCK WALL

D

D

9.125

5.250

48.00

4.63

C

C

B

B

.00

11.72

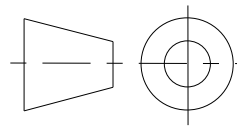
23.64

35.56

47.28

A

A



DRAWN BY	DATE
CHECKED BY	DATE
APPROVED BY	DATE

THIS DOCUMENT IS SUPPLIED IN CONFIDENCE. NO REPRODUCTION OF THIS DOCUMENT IN PART OR IN WHOLE OR THEREON OF THE ITEMS SHOWN MAY BE MADE WITHOUT THE COPYRIGHT OWNERS WRITTEN PERMISSION

SCALE 1:4 SHEET 3 OF 5

UNLESS OTHERWISE SPECIFIED ALL DIMENSIONS ARE IN INCHES.
TOLERANCES ARE:
X.X +/- 0.1
X.XX +/- 0.01
X.XXX +/- 0.001
ANG +/- 1

TITLE
TEAM ROCK WALL

PROJECT	MODEL NAME TE-16080	ISSUE
---------	------------------------	-------

DO NOT SCALE

1

2

3

4

MODEL NAME
TE-16080

TITLE

TEAM ROCK WALL

1

2

3

4

D

D

C

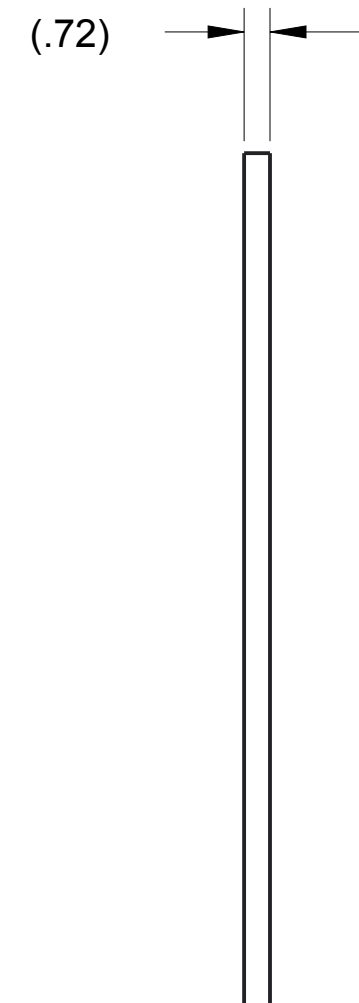
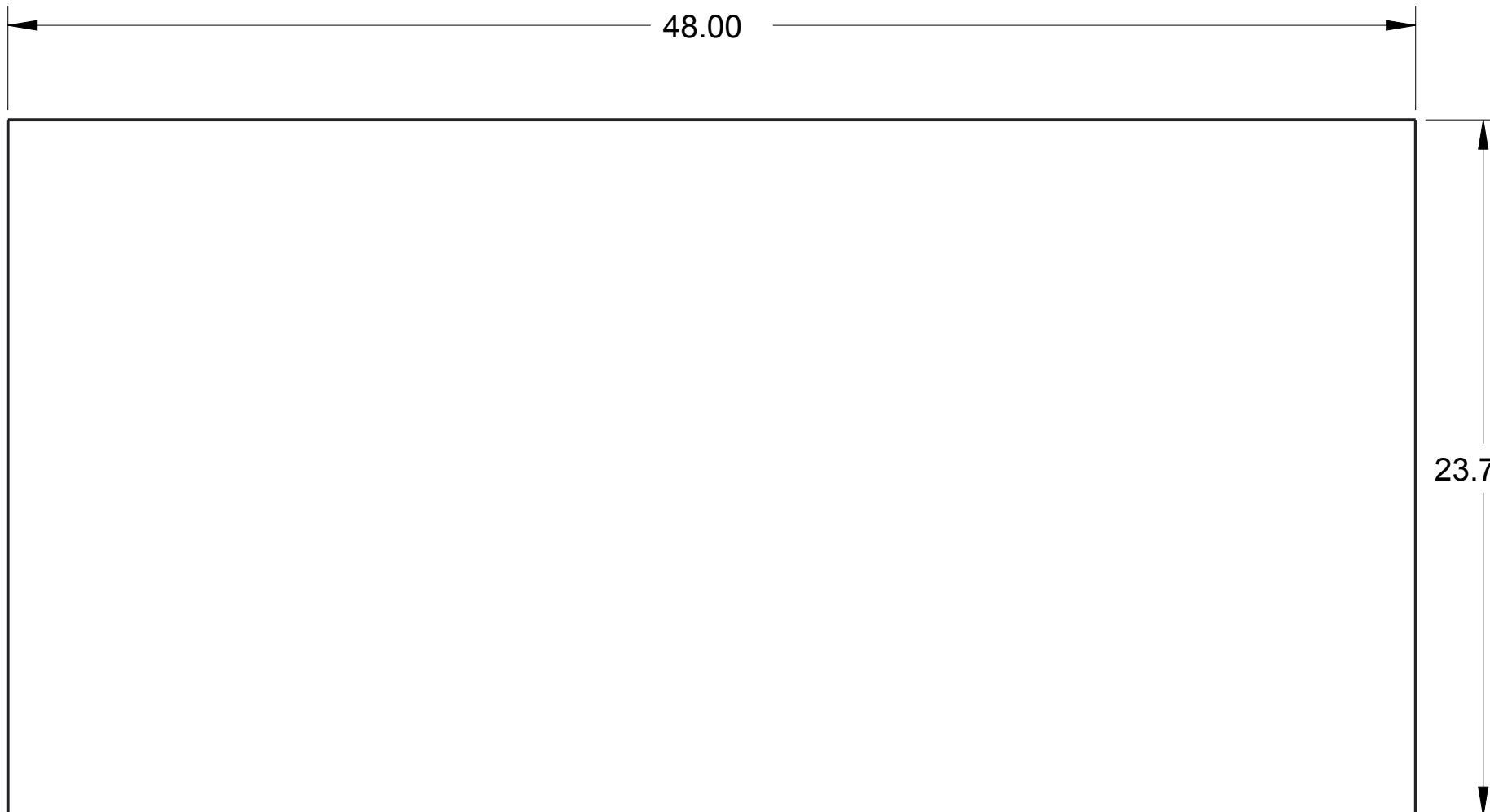
C

B

B

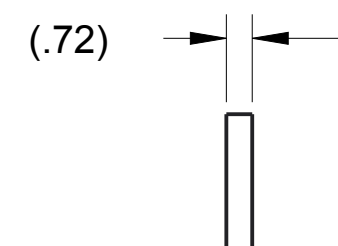
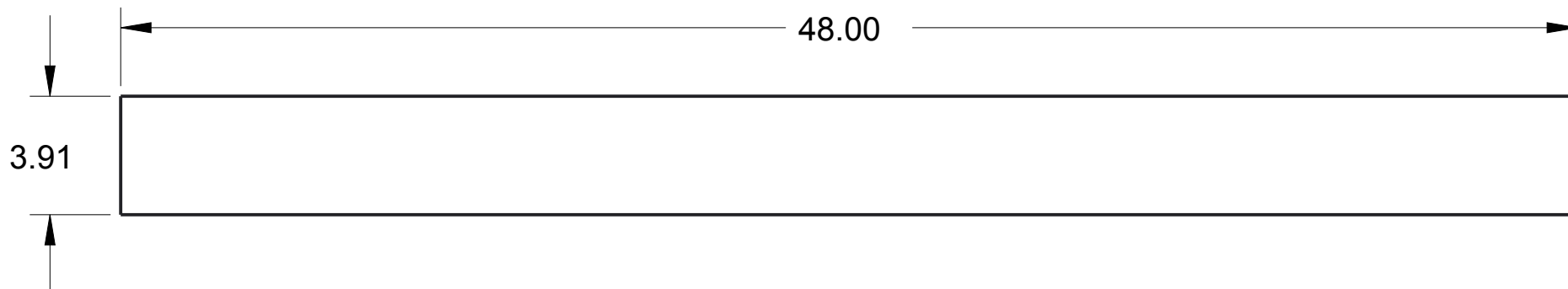
A

A



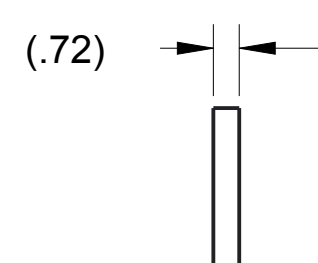
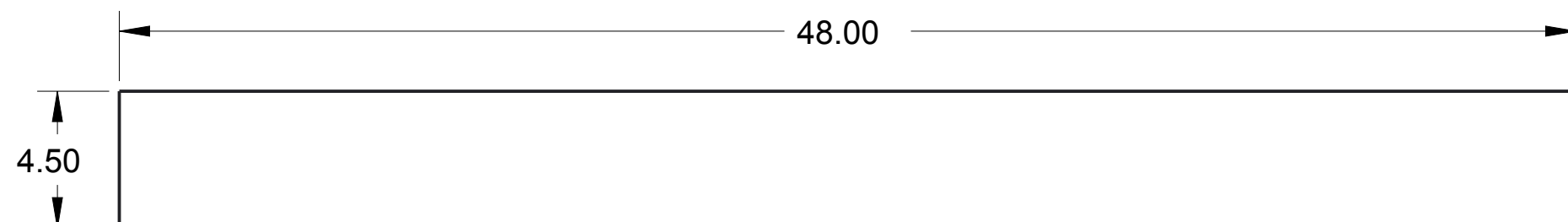
NOTE

Part: TE-16080-01
 Material: 3/4" Plywood (23/32)
 Qty: 1
 Scale: 3:16



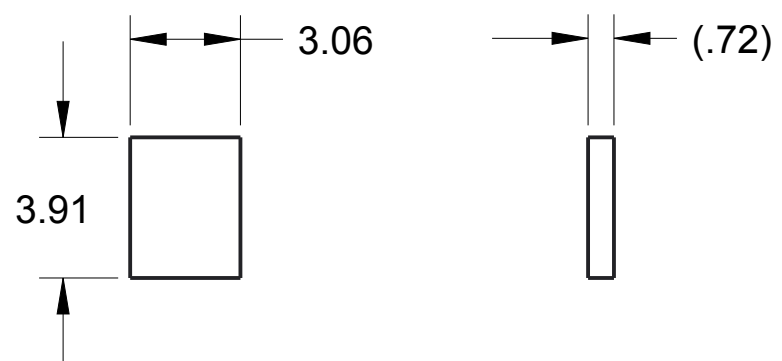
NOTE

Part: TE-16080-02
 Material: 3/4" Plywood (23/32)
 Qty: 2
 Scale: 3:16



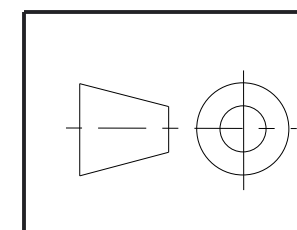
NOTE

Part: TE-16080-03
 Material: 3/4" Plywood (23/32)
 Qty: 1
 Scale: 3:16



NOTE

Part: TE-16080-04
 Material: 3/4" Plywood (23/32)
 Qty: 5
 Scale: 3:16



DRAWN BY	DATE
CHECKED BY	DATE
APPROVED BY	DATE
SCALE 1:4	SHEET 4 OF 5

UNLESS OTHERWISE SPECIFIED ALL DIMENSIONS ARE IN INCHES.
 TOLERANCES ARE:
 .XX +/- 0.1
 .XXX +/- 0.01
 X.XXX +/- 0.001
 ANG +/- .1

DO NOT SCALE

TITLE TEAM ROCK WALL	
PROJECT	MODEL NAME TE-16080
ISSUE	

MODEL NAME
TE-16080

TITLE
TEAM ROCK WALL

1

2

3

4

D

D

B

48.000

(.75)

NOTE

Part: TE-16080-05
Material: 3/4" Plywood
Qty: 1
Scale: 1:4

C

C

B

B

A


A

1

2

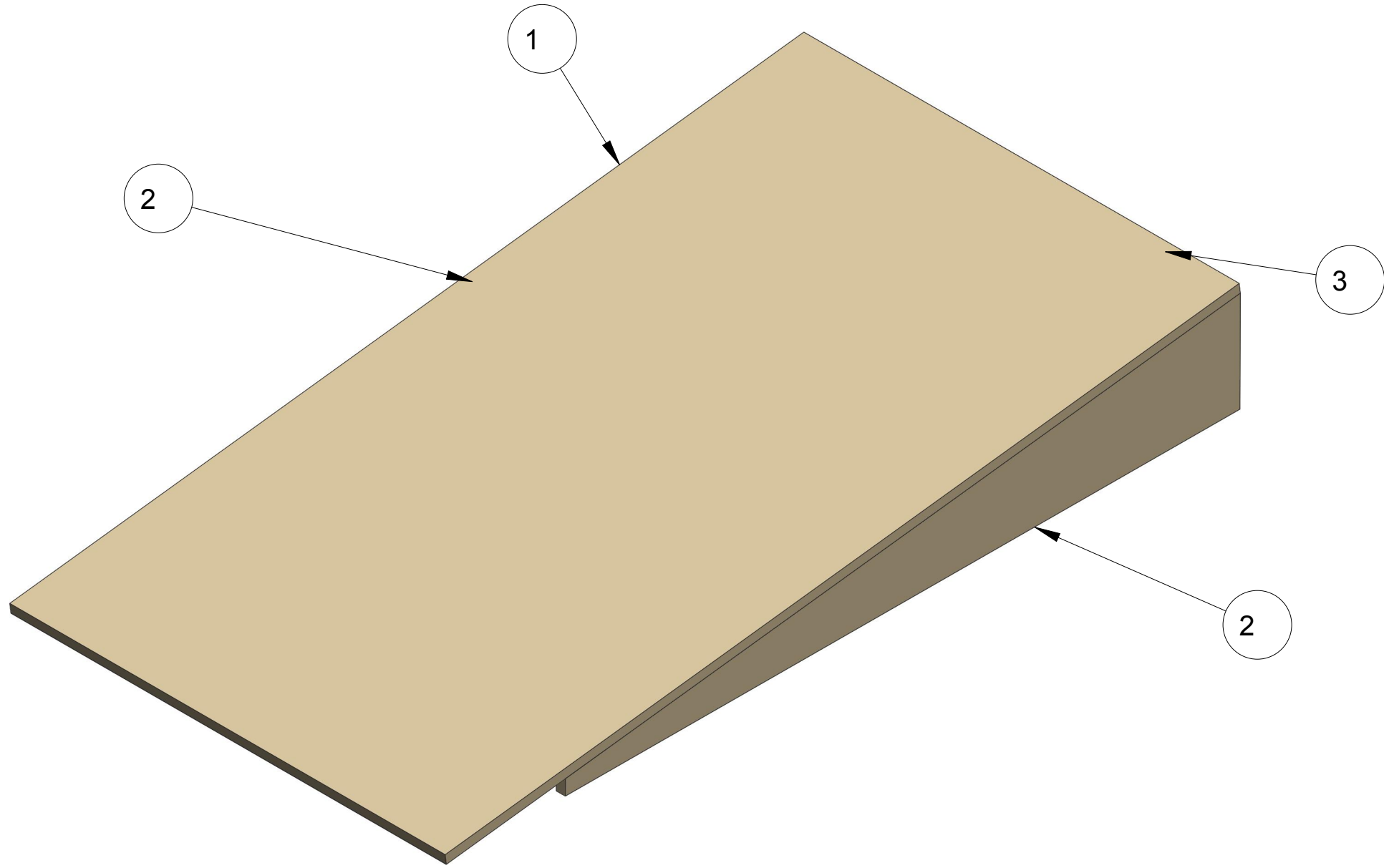
3

4


		DRAWN BY	DATE
		CHECKED BY	DATE
		APPROVED BY	DATE
<small>THIS DOCUMENT IS SUPPLIED IN CONFIDENCE. NO REPRODUCTION OF THIS DOCUMENT IN PART OR IN WHOLE OR THEREON OF THE ITEMS SHOWN MAY BE MADE WITHOUT THE COPYRIGHT OWNERS WRITTEN PERMISSION</small>		SCALE 1:4	SHEET 5 OF 5
<small>UNLESS OTHERWISE SPECIFIED ALL DIMENSIONS ARE IN INCHES. TOLERANCES ARE: X.X +/- 0.1 X.XX +/- 0.01 X.XXX +/- 0.001 ANG +/- 1</small>		TITLE TEAM ROCK WALL	
DO NOT SCALE		PROJECT	MODEL NAME TE-16080
			ISSUE

MODEL NAME
TE-16138

TITLE
Team Batter 1



ITEM NO	PART NUMBER	QTY	DESCRIPTION	NOTES
1	TE-16138-01	1	te-16138-01.prt	1/2" Plywood
2	TE-16138-02	2	te-16138-02.prt	1/2" Plywood
3	TE-16138-03	1	te-16138-03.prt	1/2" Plywood

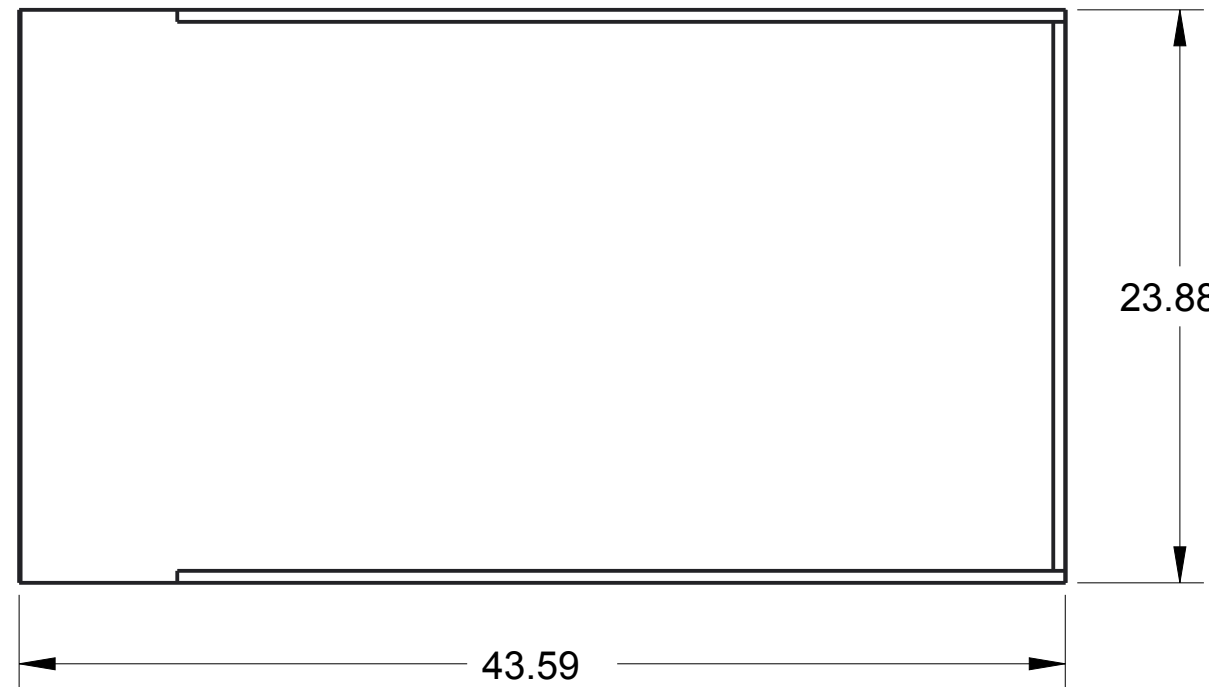
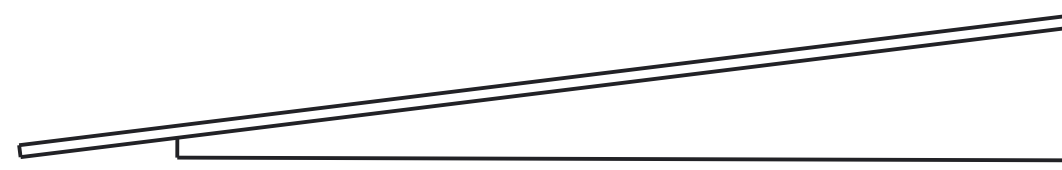
	DRAWN BY	DATE
	CHECKED BY	DATE
	APPROVED BY	DATE
<small>THIS DOCUMENT IS SUPPLIED IN CONFIDENCE. NO REPRODUCTION OF THIS DOCUMENT IN PART OR IN WHOLE OR THEREON OF THE ITEMS SHOWN MAY BE MADE WITHOUT THE COPYRIGHT OWNERS WRITTEN PERMISSION</small>		SCALE 1:8
TITLE Team Batter 1		
PROJECT		MODEL NAME TE-16138
ISSUE		

UNLESS OTHERWISE SPECIFIED ALL DIMENSIONS ARE IN INCHES.
TOLERANCES ARE:
X.X +/- 0.1
X.XX +/- 0.01
X.XXX +/- 0.001
ANG +/- 1°

DO NOT SCALE

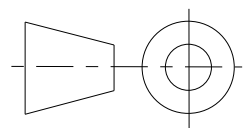

MODEL NAME
TE-16138

TITLE
Team Batter 1



23.88

NOTE: Secure with wood screws and wood glue

		DRAWN BY	DATE
		CHECKED BY	DATE
		APPROVED BY	DATE
<small>THIS DOCUMENT IS SUPPLIED IN CONFIDENCE. NO REPRODUCTION OF THIS DOCUMENT IN PART OR IN WHOLE OR THEREON OF THE ITEMS SHOWN MAY BE MADE WITHOUT THE COPYRIGHT OWNERS WRITTEN PERMISSION</small>		SCALE 1:8	SHEET 2 OF 3
<small>UNLESS OTHERWISE SPECIFIED ALL DIMENSIONS ARE IN INCHES. TOLERANCES ARE: X.X +/- 0.1 X.XX +/- 0.01 X.XXX +/- 0.001 ANG +/- 1°</small>		TITLE Team Batter 1	
DO NOT SCALE		PROJECT	MODEL NAME TE-16138 ISSUE

1

2

3

4

D

D

C

C

B

B

A

A

1

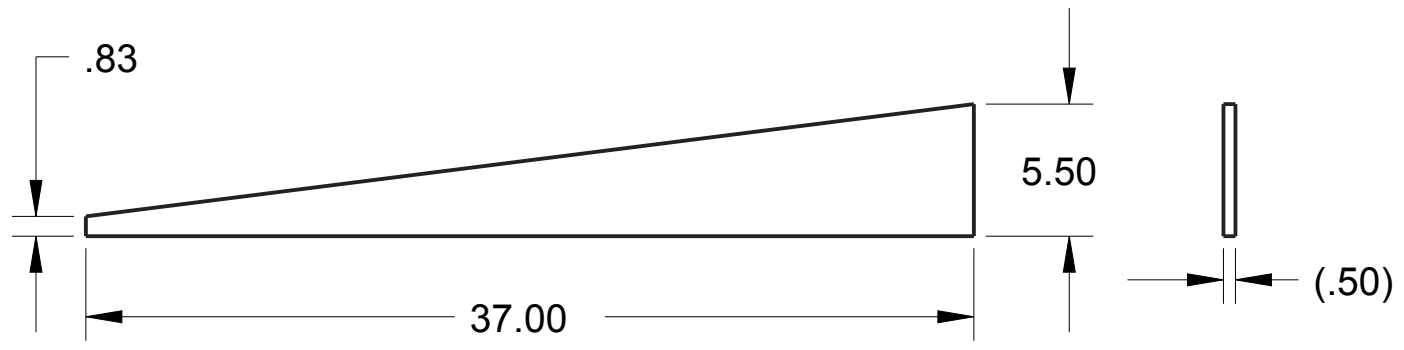
2

3

4

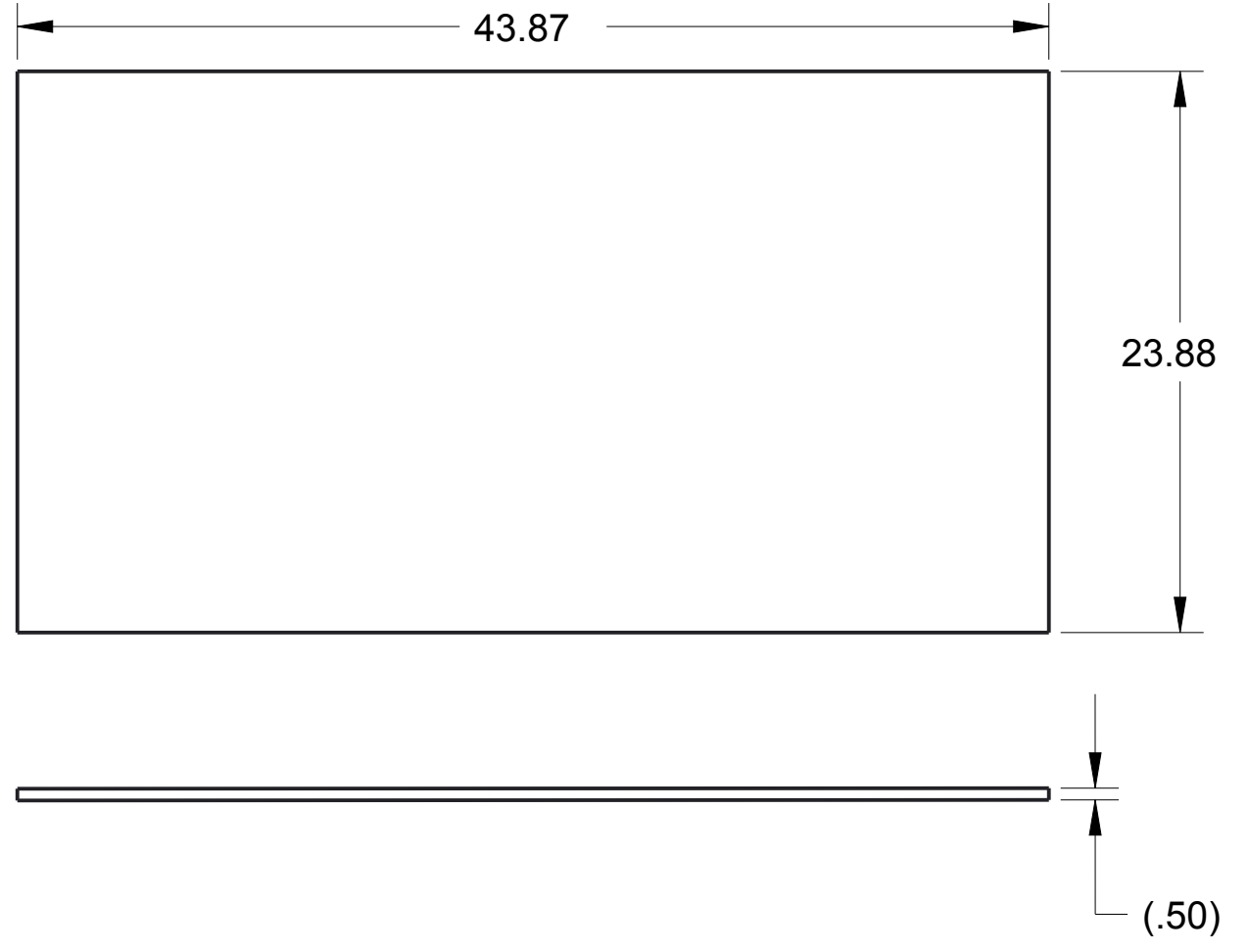
MODEL NAME
TE-16138

TITLE
Team Batter 1



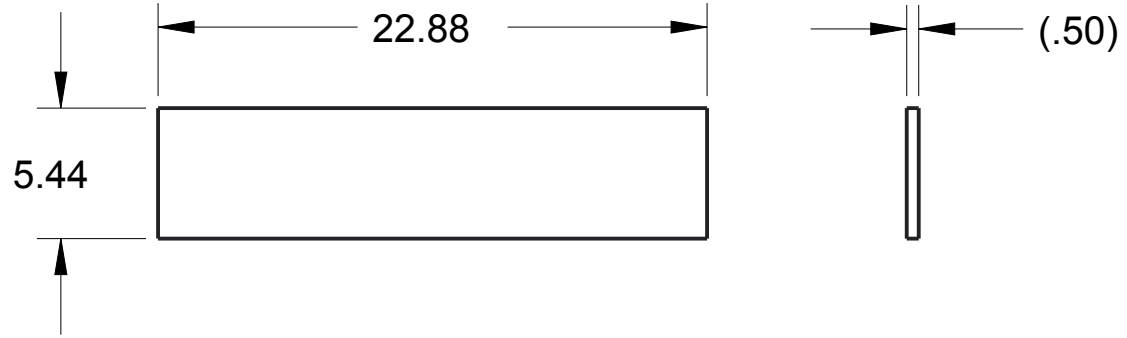
NOTE

Part: TE-16139-02
 Material: 1/2" Plywood
 Qty: 2
 Scale: 1:8



NOTE

Part: TE-16139-01
 Material: 1/2" Plywood
 Qty: 1
 Scale: 1:8



NOTE

Part: TE-16138-03
 Material: 1/2" Plywood
 Qty: 1
 Scale: 1:8

UNLESS OTHERWISE SPECIFIED ALL DIMENSIONS ARE IN INCHES.
 TOLERANCES ARE:
 X.X +/- 0.1
 X.XX +/- 0.01
 X.XXX +/- 0.001
 ANG +/- 1°

DO NOT SCALE

	DRAWN BY	DATE
	CHECKED BY	DATE
	APPROVED BY	DATE
<small>THIS DOCUMENT IS SUPPLIED IN CONFIDENCE. NO REPRODUCTION OF THIS DOCUMENT IN PART OR IN WHOLE OR THEREON OF THE ITEMS SHOWN MAY BE MADE WITHOUT THE COPYRIGHT OWNERS WRITTEN PERMISSION</small>		SCALE 1:8 SHEET 3 OF 3
TITLE <h3 style="text-align: center;">Team Batter 1</h3>		
PROJECT	MODEL NAME TE-16138	ISSUE

MODEL NAME
TE-16139

TITLE
Team Batter 2

1

2

3

4

D

D

C

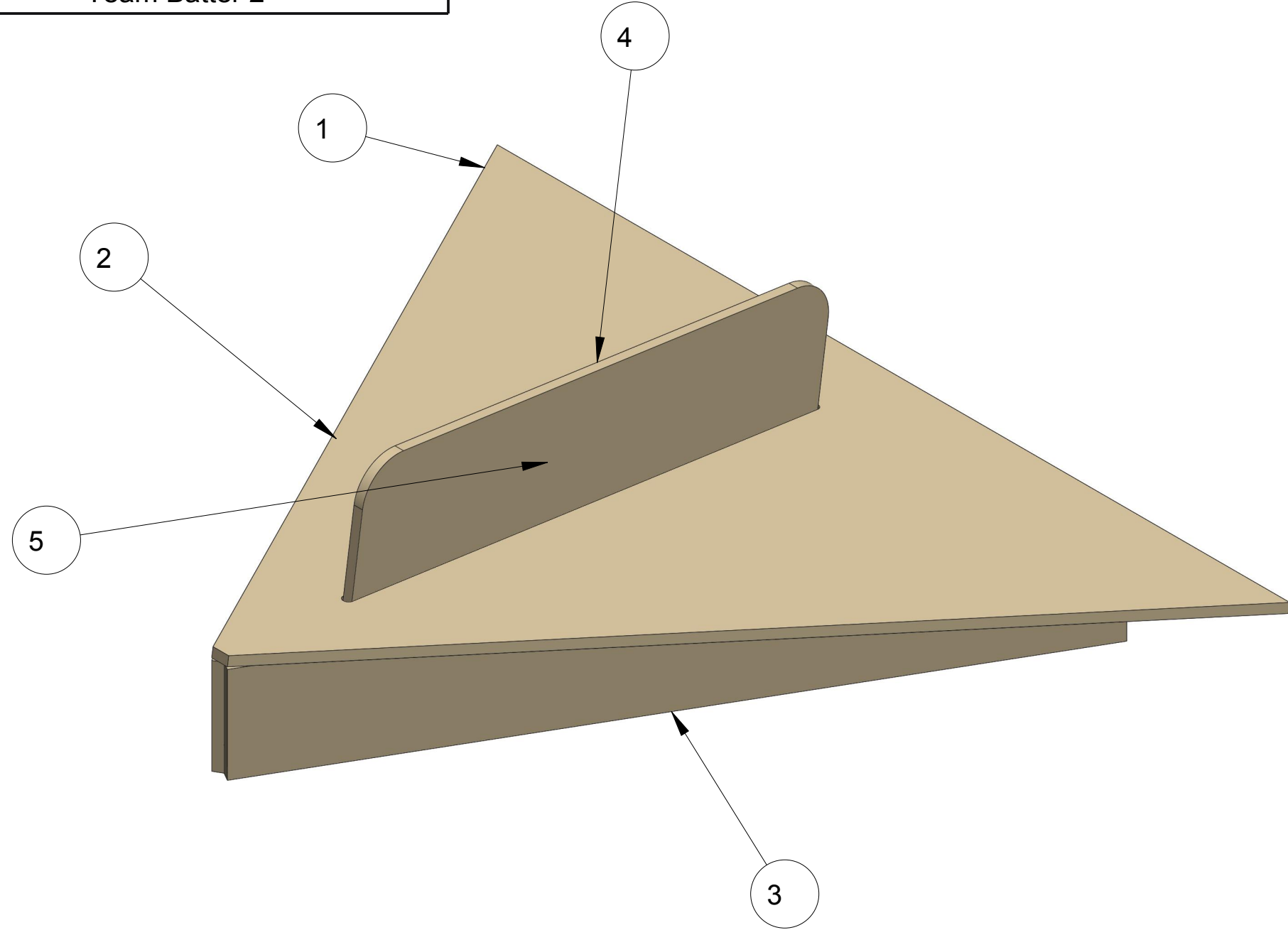
C

B

B

A

A



ITEM NO	PART NUMBER	QTY	DESCRIPTION	NOTES
1	TE-16139-01	1	te-16139-01.prt	1/2" Plywood
2	TE-16139-02	1	te-16139-02.prt	1/2" Plywood
3	TE-16139-03	1	te-16139-03.prt	1/2" Plywood
4	TE-16139-04	1	TE-16139-04	1/2" Plywood
5	TE-16139-05	2	TE-16139-05	2x4 Lumber

UNLESS OTHERWISE SPECIFIED ALL DIMENSIONS ARE IN INCHES.
TOLERANCES ARE:
X.X +/- 0.1
X.XX +/- 0.01
X.XXX +/- 0.001
ANG +/- 1°

DO NOT SCALE

THIS DOCUMENT IS SUPPLIED IN CONFIDENCE. NO REPRODUCTION OF THIS DOCUMENT IN PART OR IN WHOLE OR THEREON OF THE ITEMS SHOWN MAY BE MADE WITHOUT THE COPYRIGHT OWNERS WRITTEN PERMISSION

Team Batter 2

DRAWN BY	DATE
CHECKED BY	DATE
APPROVED BY	DATE
SCALE 1:8	SHEET 1 OF 4

PROJECT	MODEL NAME TE-16139	ISSUE
---------	------------------------	-------

1

2

3

4

MODEL NAME
TE-16139

TITLE
Team Batter 2

1

2

3

4

D

D

C

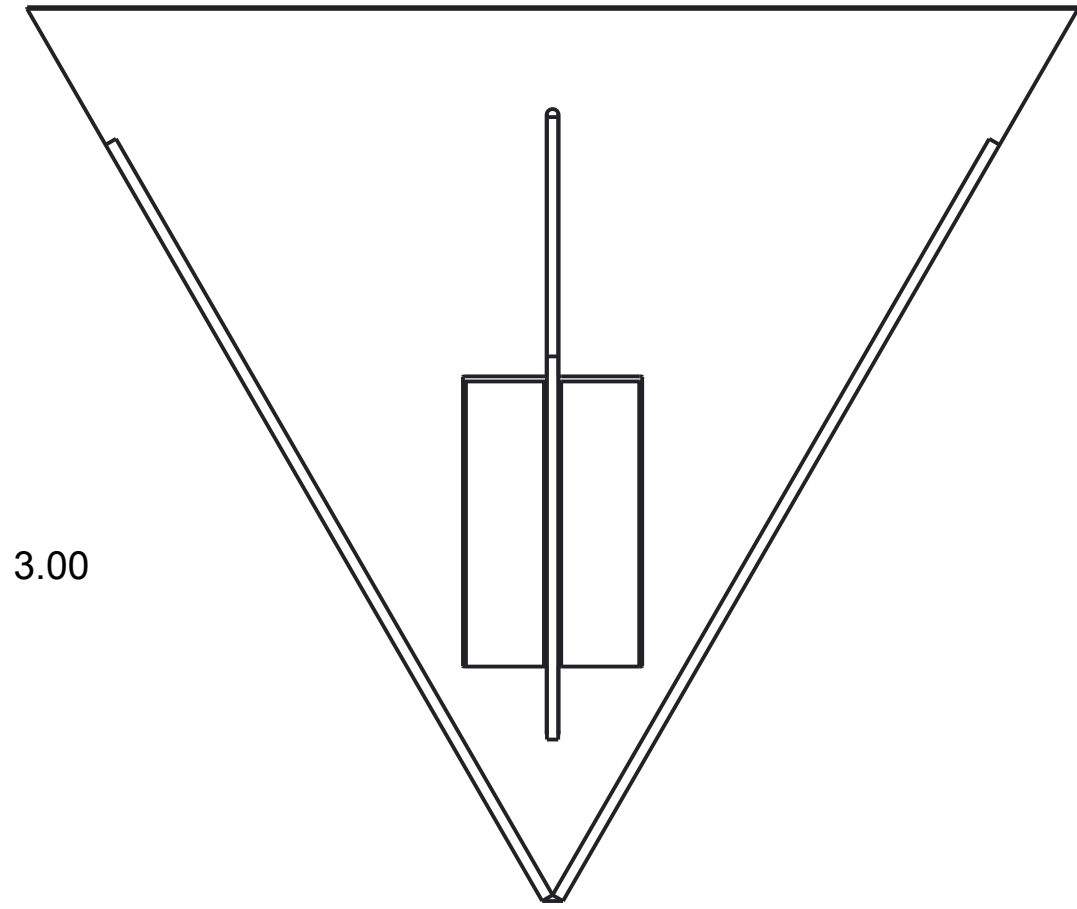
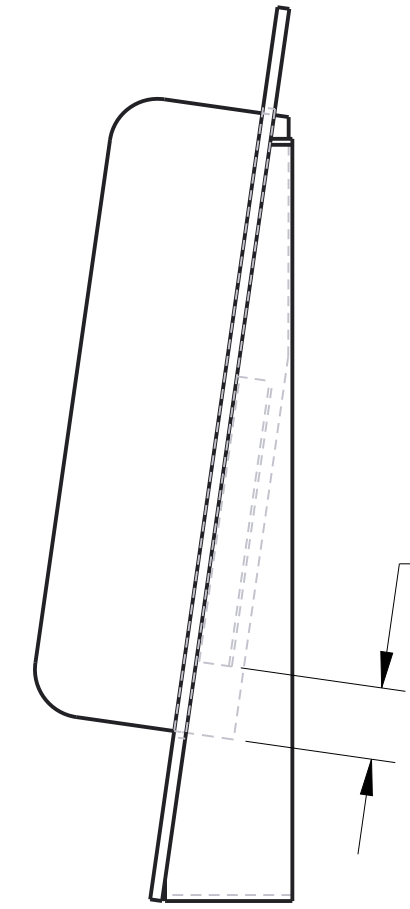
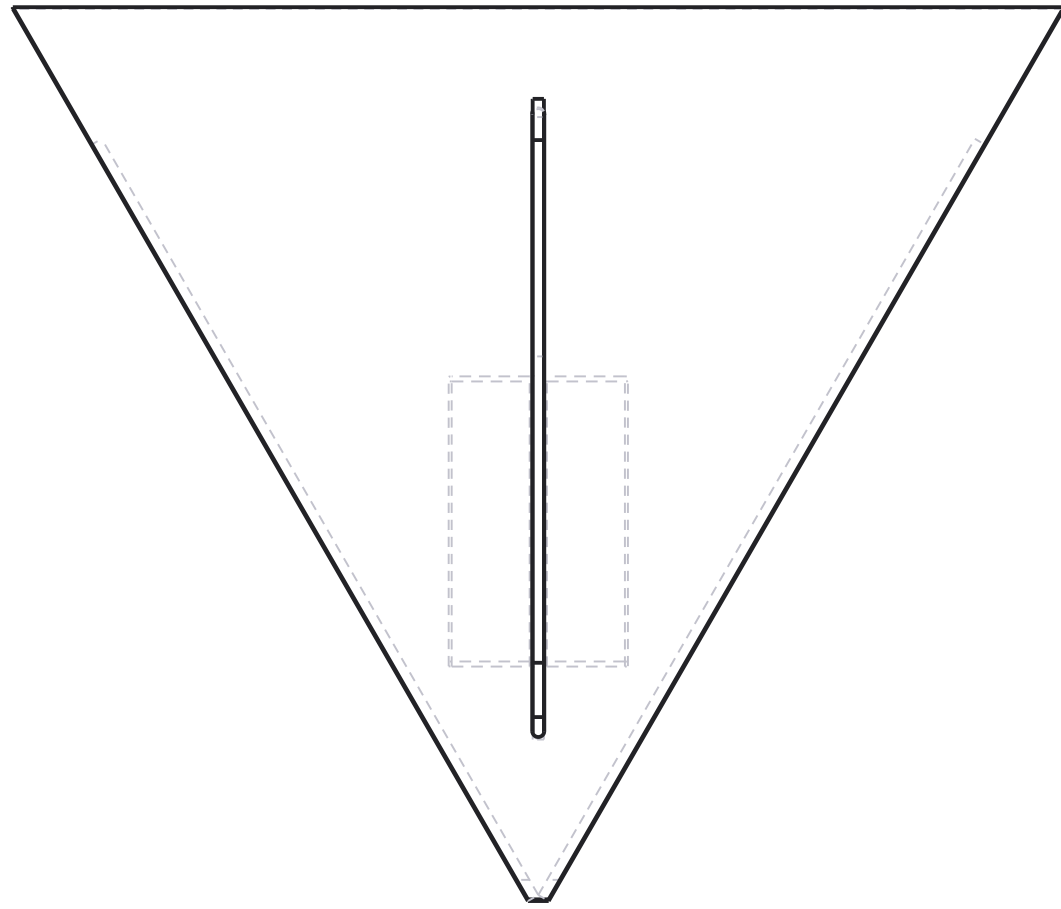
C

B

B

A

A



		DRAWN BY	DATE
		CHECKED BY	DATE
		APPROVED BY	DATE
<small>THIS DOCUMENT IS SUPPLIED IN CONFIDENCE. NO REPRODUCTION OF THIS DOCUMENT IN PART OR IN WHOLE OR THEREON OF THE ITEMS SHOWN MAY BE MADE WITHOUT THE COPYRIGHT OWNERS WRITTEN PERMISSION</small>		SCALE 1:8	SHEET 2 OF 4
TITLE Team Batter 2		PROJECT	ISSUE
MODEL NAME TE-16139			

UNLESS OTHERWISE SPECIFIED ALL DIMENSIONS ARE IN INCHES.
TOLERANCES ARE:
X.X +/- 0.1
X.XX +/- 0.01
X.XXX +/- 0.001
ANG +/- 1°
DO NOT SCALE

NOTE: Secure with wood screws and wood glue.

1

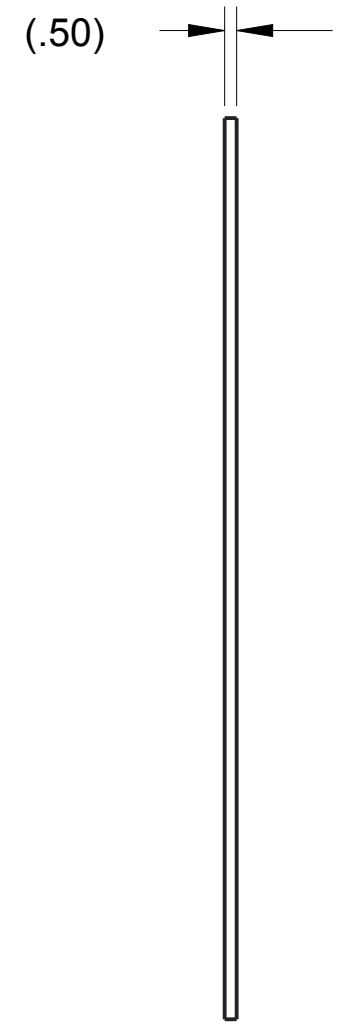
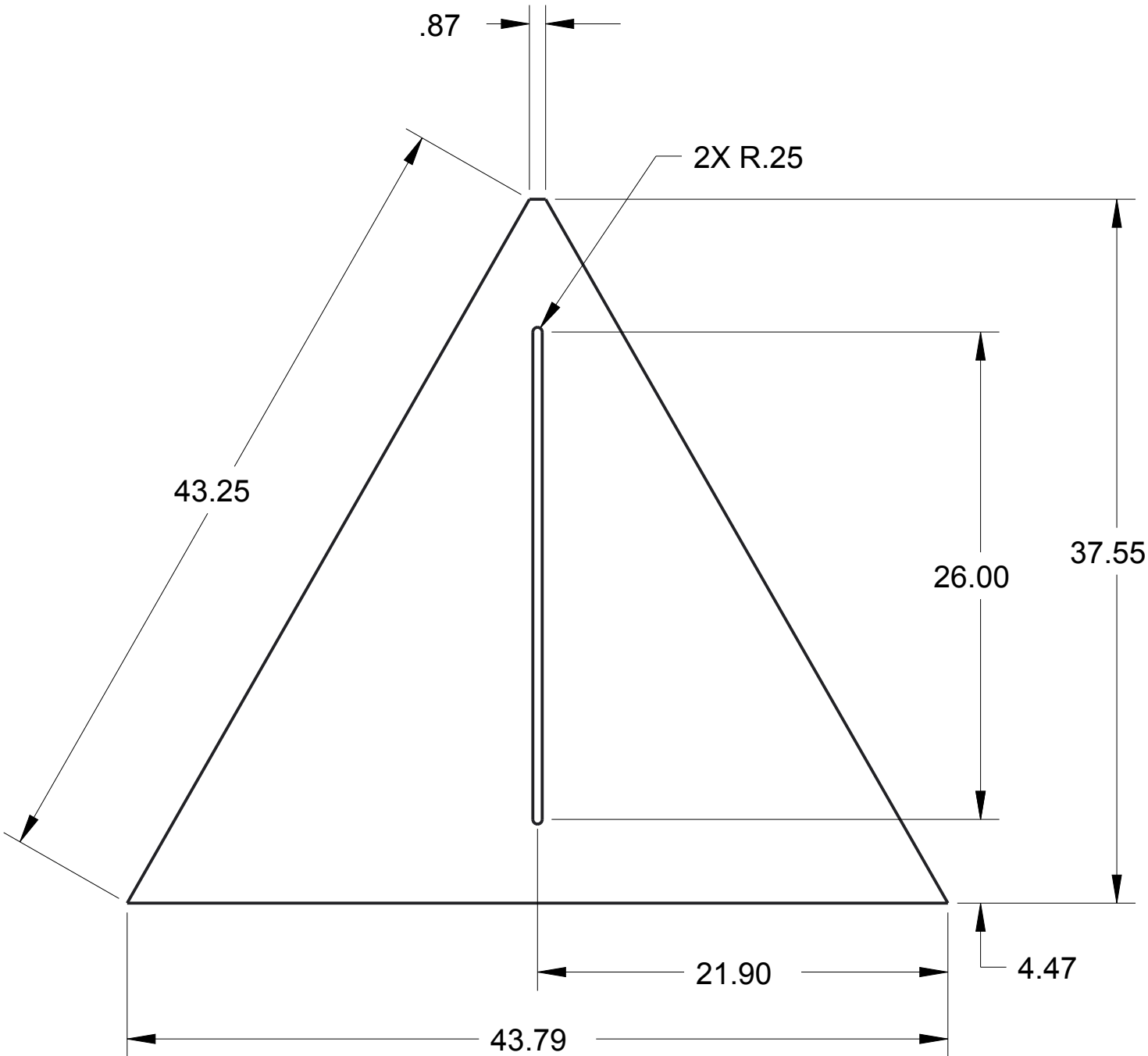
2

3

4

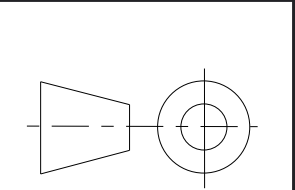
MODEL NAME
TE-16139

TITLE
Team Batter 2



NOTE

Part: TE-16139-01
 Material: 1/2" Plywood
 Qty: 1
 Scale: 1:8



UNLESS OTHERWISE SPECIFIED ALL DIMENSIONS ARE IN INCHES.
 TOLERANCES ARE:
 X.X +/- 0.1
 X.XX +/- 0.01
 X.XXX +/- 0.001
 ANG +/- 1°
DO NOT SCALE



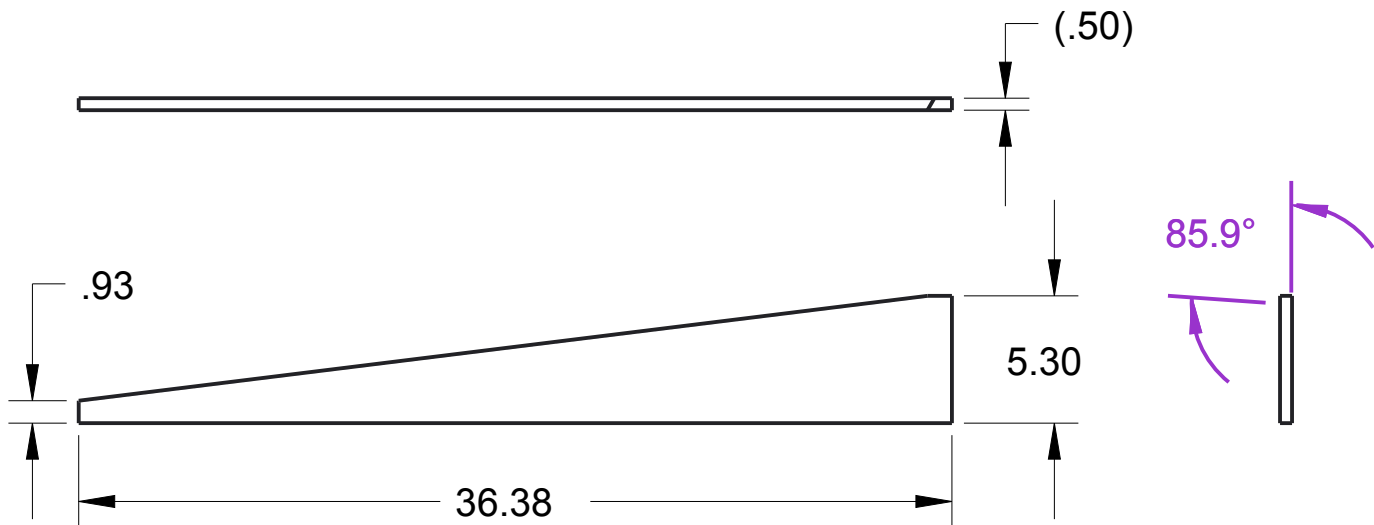
THIS DOCUMENT IS SUPPLIED IN CONFIDENCE. NO REPRODUCTION OF THIS DOCUMENT IN PART OR IN WHOLE OR THEREON OF THE ITEMS SHOWN MAY BE MADE WITHOUT THE COPYRIGHT OWNERS WRITTEN PERMISSION

DRAWN BY	DATE
CHECKED BY	DATE
APPROVED BY	DATE
SCALE 7:96	SHEET 3 OF 4

TITLE Team Batter 2		
PROJECT	MODEL NAME TE-16139	ISSUE

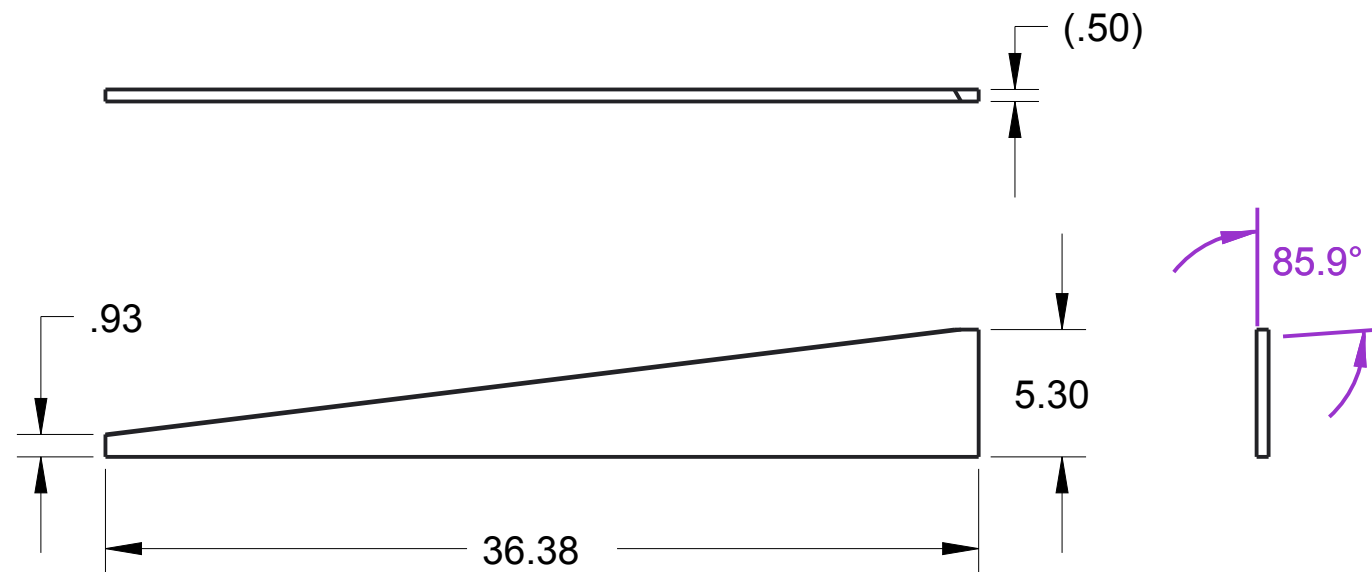
MODEL NAME
TE-16139

TITLE
Team Batter 2



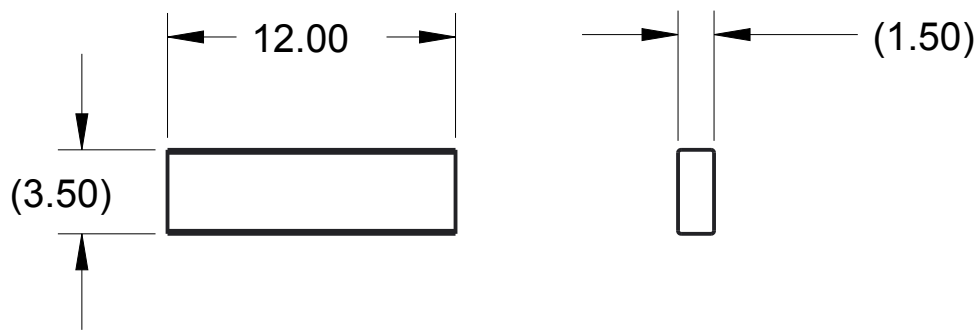
NOTE

Part: TE-16139-02
Material: 1/2" Plywood
Qty: 1
Scale: 1:8



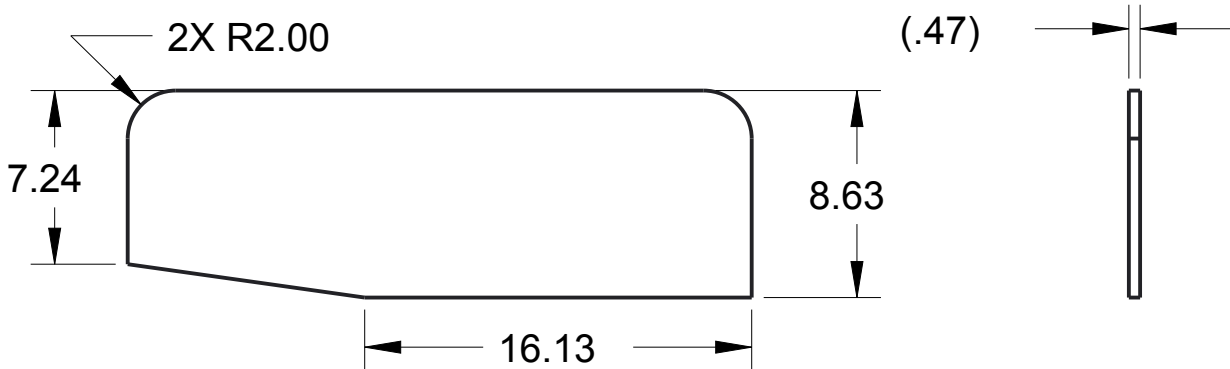
NOTE

Part: TE-16139-03
Material: 1/2" Plywood
Qty: 1
Scale: 1:8



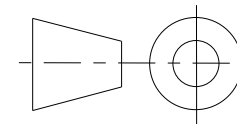
NOTE

Part: TE-16139-05
Material: 2x4 Lumber
Qty: 2
Scale: 1:8



NOTE

Part: TE-16139-04
Material: 1/2" Plywood
Qty: 1
Scale: 1:8



UNLESS OTHERWISE SPECIFIED ALL DIMENSIONS ARE IN INCHES.
TOLERANCES ARE:
X.X +/- 0.1
X.XX +/- 0.01
X.XXX +/- 0.001
ANG +/- 1°

DO NOT SCALE

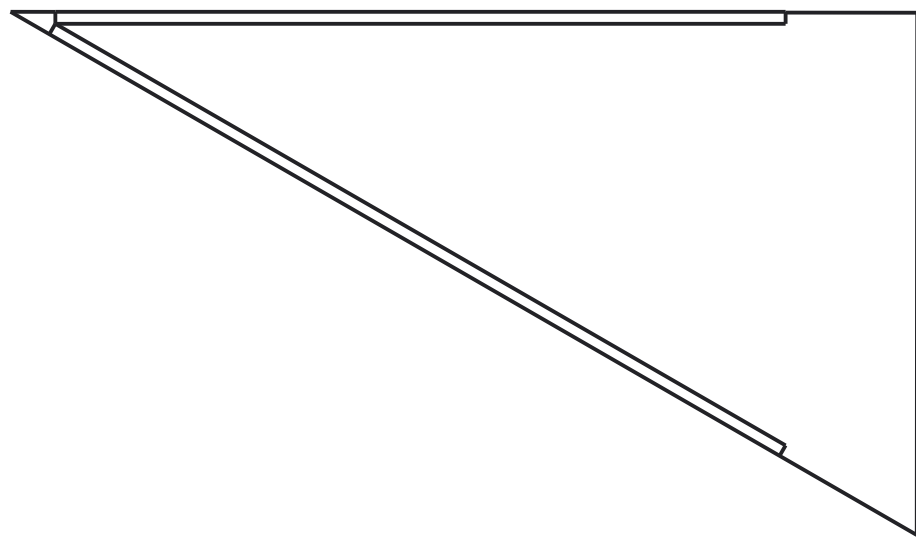
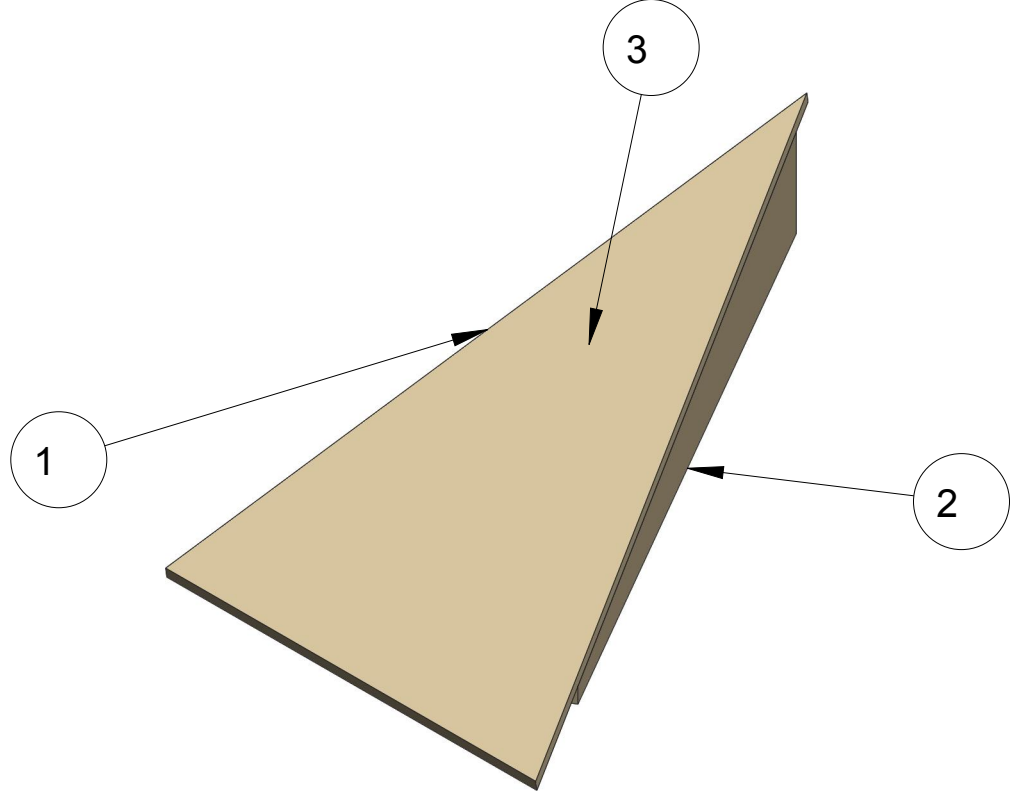


DRAWN BY	DATE
CHECKED BY	DATE
APPROVED BY	DATE
SCALE 7:96	SHEET 4 OF 4

TITLE Team Batter 2		
PROJECT	MODEL NAME TE-16139	ISSUE

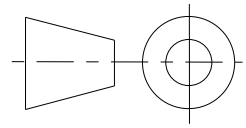

MODEL NAME
TE-16140

TITLE
BATTER RAMP, HALF CORNER 1



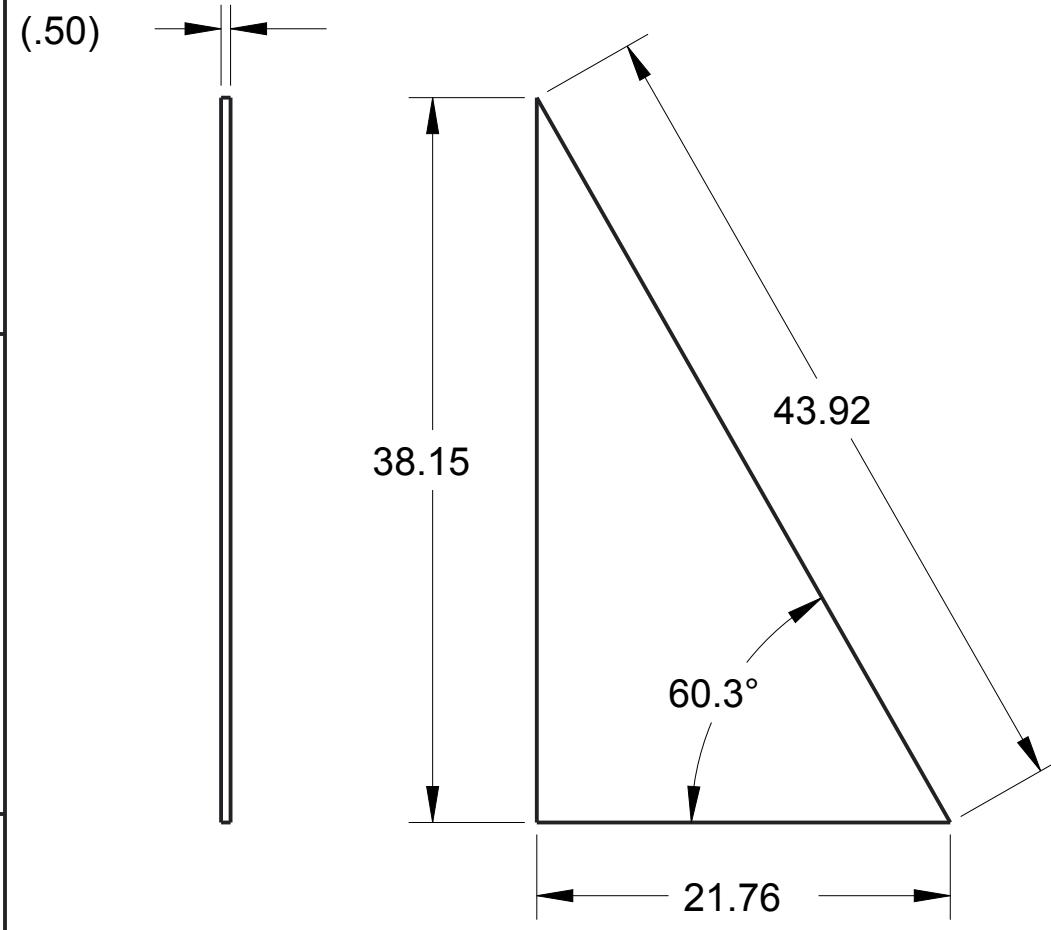
Secure using wood screws and wood glue

ITEM NO	PART NUMBER	QTY	DESCRIPTION	NOTES
1	TE-16140-01	1	te-16140-01.prt	1/2" Plywood
2	TE-16140-02	1	te-16140-02.prt	1/2" Plywood
3	TE-16140-03	1	te-16140-03.prt	1/2" Plywood

		DRAWN BY	DATE
		CHECKED BY	DATE
		APPROVED BY	DATE
<small>THIS DOCUMENT IS SUPPLIED IN CONFIDENCE. NO REPRODUCTION OF THIS DOCUMENT IN PART OR IN WHOLE OR THEREON OF THE ITEMS SHOWN MAY BE MADE WITHOUT THE COPYRIGHT OWNERS WRITTEN PERMISSION</small>		SCALE 1:8	SHEET 1 OF 2
<small>UNLESS OTHERWISE SPECIFIED ALL DIMENSIONS ARE IN INCHES. TOLERANCES ARE: X.X +/- 0.1 X.XX +/- 0.01 X.XXX +/- 0.001 ANG +/- 1°</small>		TITLE BATTER RAMP, HALF CORNER 1	
DO NOT SCALE		PROJECT	MODEL NAME TE-16140
		ISSUE	

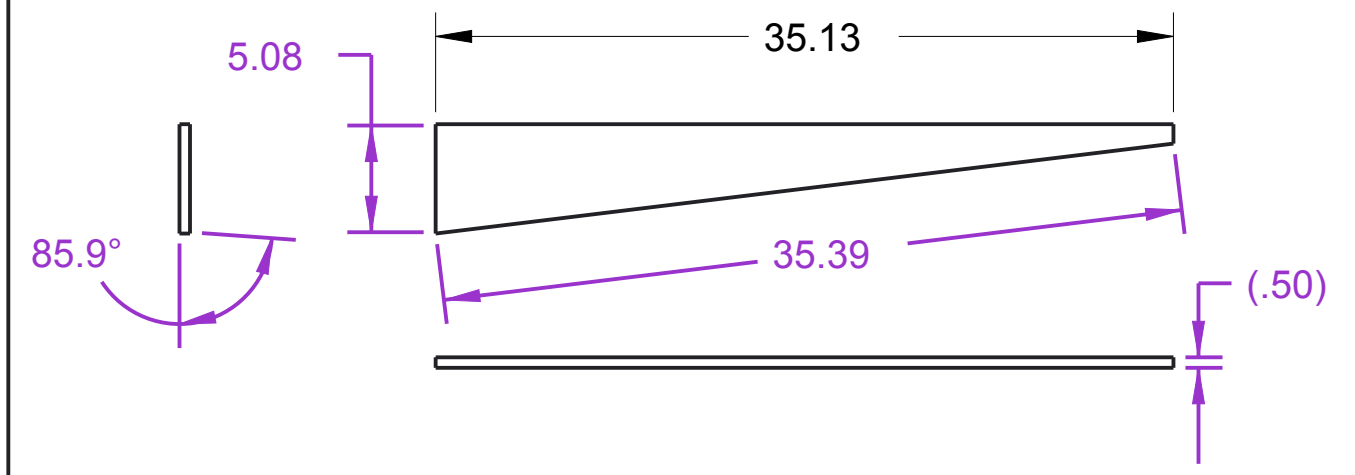
MODEL NAME
TE-16140

TITLE
BATTER RAMP, HALF CORNER 1



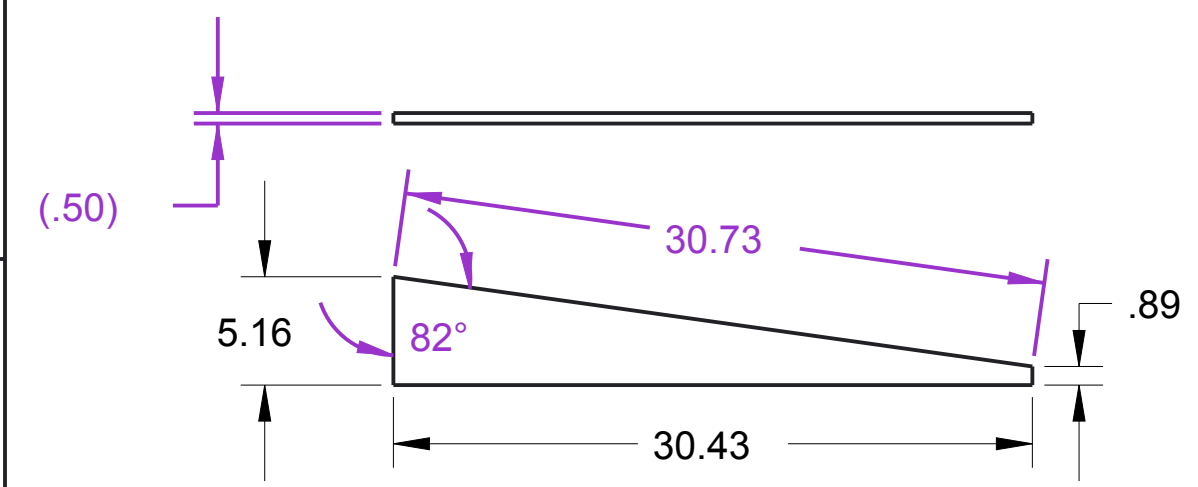
NOTE

Part: TE-16140-01
Material: 1/2" Plywood
Qty: 1



NOTE

Part: TE-16140-03
Material: 1/2" Plywood
Qty: 1



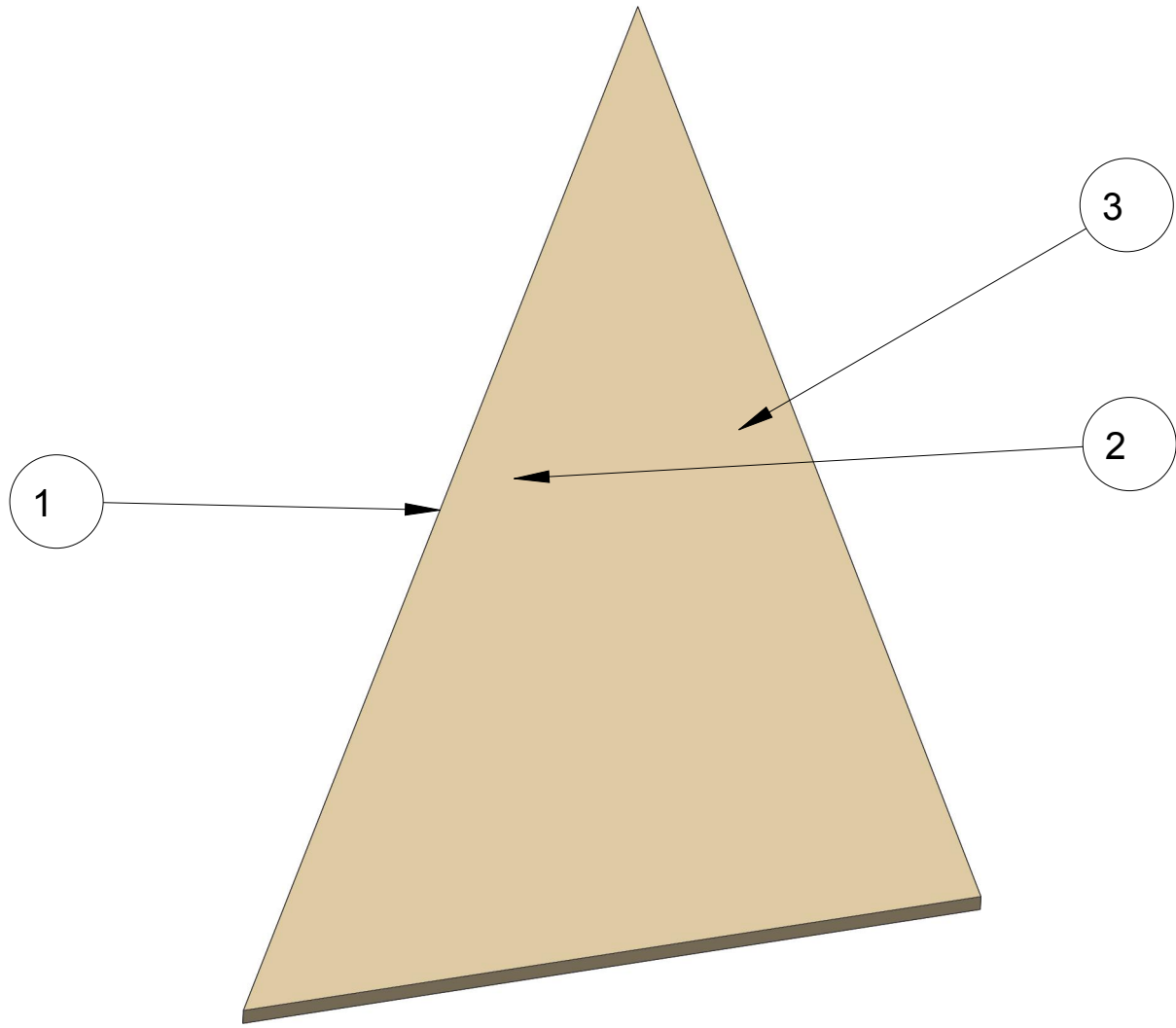
NOTE

Part: TE-16140-03
Material: 1/2" Plywood
Qty: 1

		DRAWN BY	DATE
		CHECKED BY	DATE
		APPROVED BY	DATE
<small>THIS DOCUMENT IS SUPPLIED IN CONFIDENCE. NO REPRODUCTION OF THIS DOCUMENT IN PART OR IN WHOLE OR THEREON OF THE ITEMS SHOWN MAY BE MADE WITHOUT THE COPYRIGHT OWNERS WRITTEN PERMISSION</small>		SCALE 17:192	SHEET 2 OF 2
TITLE BATTER RAMP, HALF CORNER 1		PROJECT	ISSUE
<small>UNLESS OTHERWISE SPECIFIED ALL DIMENSIONS ARE IN INCHES. TOLERANCES ARE: X.X +/- 0.1 X.XX +/- 0.01 X.XXX +/- 0.001 ANG +/- .1°</small>		MODEL NAME TE-16140	
DO NOT SCALE			

MODEL NAME
TE-16141

TITLE
BATTER RAMP, HALF CORNER 2



SCALE 3:16

ITEM NO	PART NUMBER	QTY	DESCRIPTION	NOTES
1	TE-16141-01	1	te-16141-01.prt	1/2" Plywood
2	TE-16141-02	1	te-16141-02.prt	1/2" Plywood
3	TE-16141-03	1	te-16141-03.prt	1/2" Plywood

		DRAWN BY	DATE
		CHECKED BY	DATE
		APPROVED BY	DATE
<small>THIS DOCUMENT IS SUPPLIED IN CONFIDENCE. NO REPRODUCTION OF THIS DOCUMENT IN PART OR IN WHOLE OR THEREON OF THE ITEMS SHOWN MAY BE MADE WITHOUT THE COPYRIGHT OWNERS WRITTEN PERMISSION</small>		SCALE 17:192	SHEET 1 OF 3
<small>UNLESS OTHERWISE SPECIFIED ALL DIMENSIONS ARE IN INCHES. TOLERANCES ARE: X.X +/- 0.1 X.XX +/- 0.01 X.XXX +/- 0.001 ANG +/- 1°</small>		TITLE BATTER RAMP, HALF CORNER 2	
DO NOT SCALE		PROJECT	MODEL NAME TE-16141 ISSUE

MODEL NAME
TE-16141

TITLE
BATTER RAMP, HALF CORNER 2

1

2

3

4

D

D

C

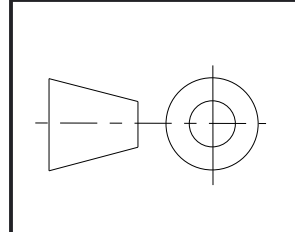
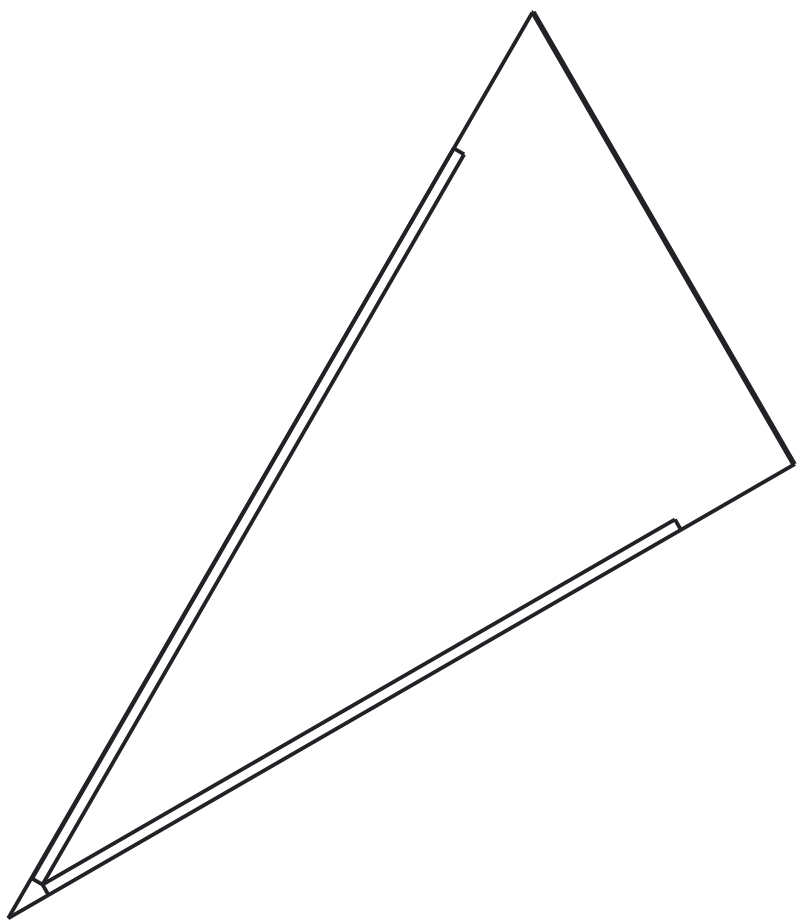
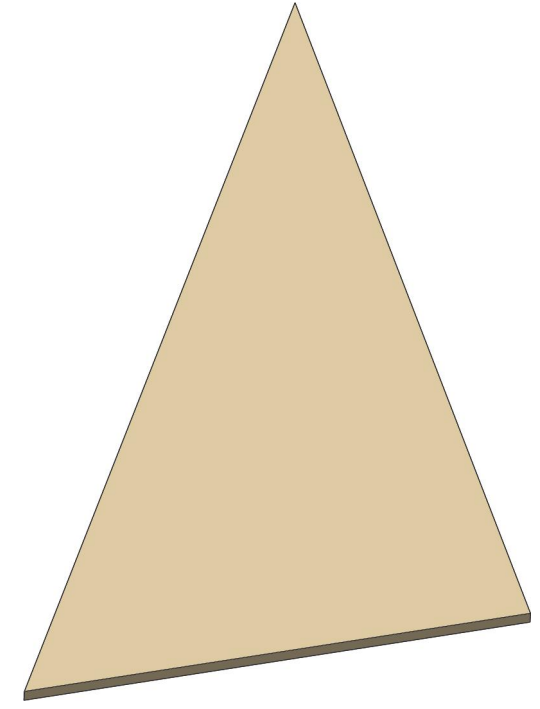
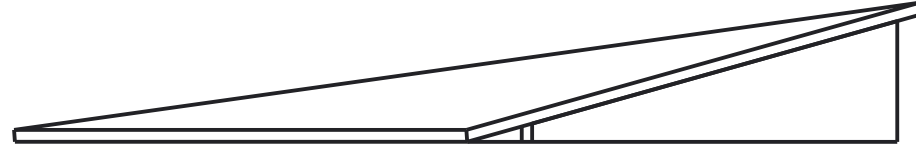
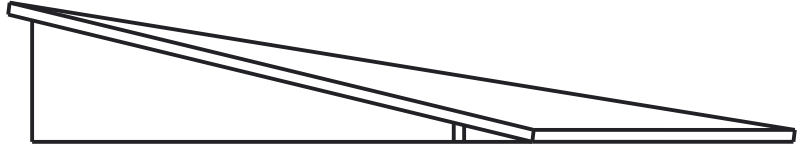
C

B

B

A

A



UNLESS OTHERWISE SPECIFIED ALL DIMENSIONS ARE IN INCHES.
TOLERANCES ARE:
X.X +/- 0.1
X.XX +/- 0.01
X.XXX +/- 0.001
ANG +/- 1°
DO NOT SCALE



THIS DOCUMENT IS SUPPLIED IN CONFIDENCE. NO REPRODUCTION OF THIS DOCUMENT IN PART OR IN WHOLE OR THEREON OF THE ITEMS SHOWN MAY BE MADE WITHOUT THE COPYRIGHT OWNERS WRITTEN PERMISSION

DRAWN BY	DATE
CHECKED BY	DATE
APPROVED BY	DATE
SCALE 1:8	SHEET 2 OF 3

TITLE BATTER RAMP, HALF CORNER 2		
PROJECT	MODEL NAME TE-16141	ISSUE

NOTE: Secure using wood screws and wood glue.

1

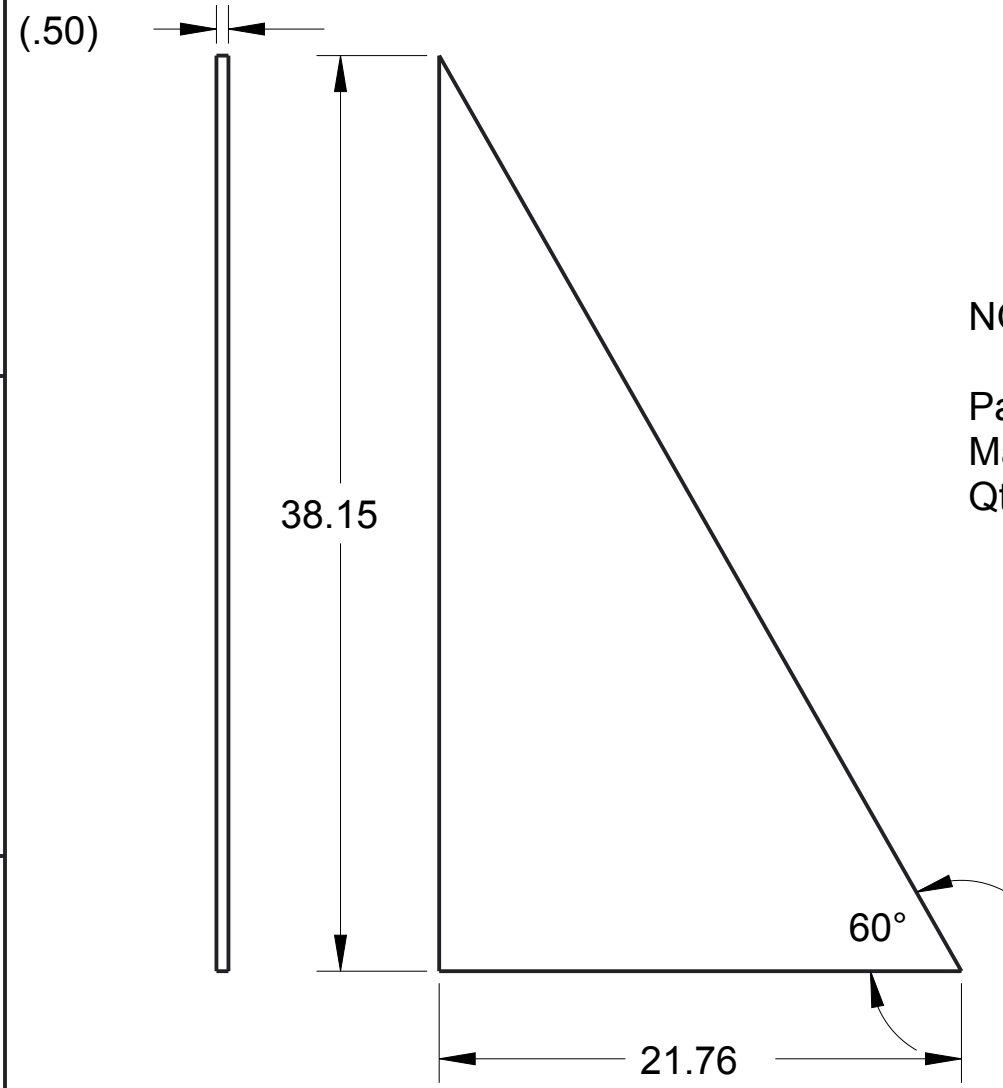
2

3

4

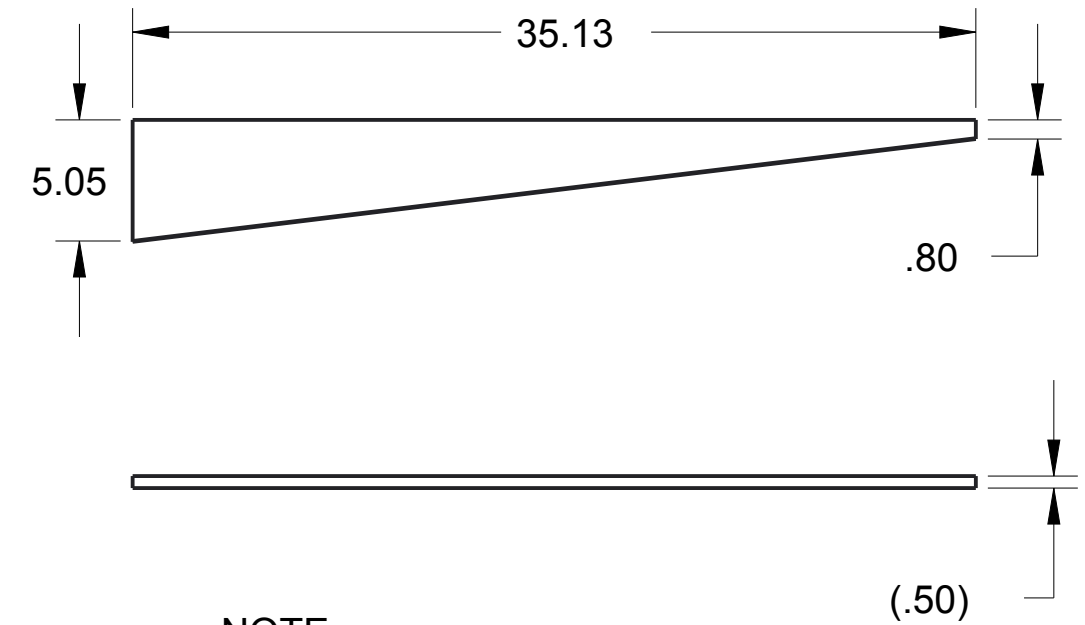
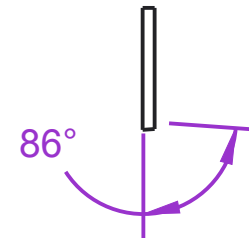
MODEL NAME
TE-16141

TITLE
BATTER RAMP, HALF CORNER 2



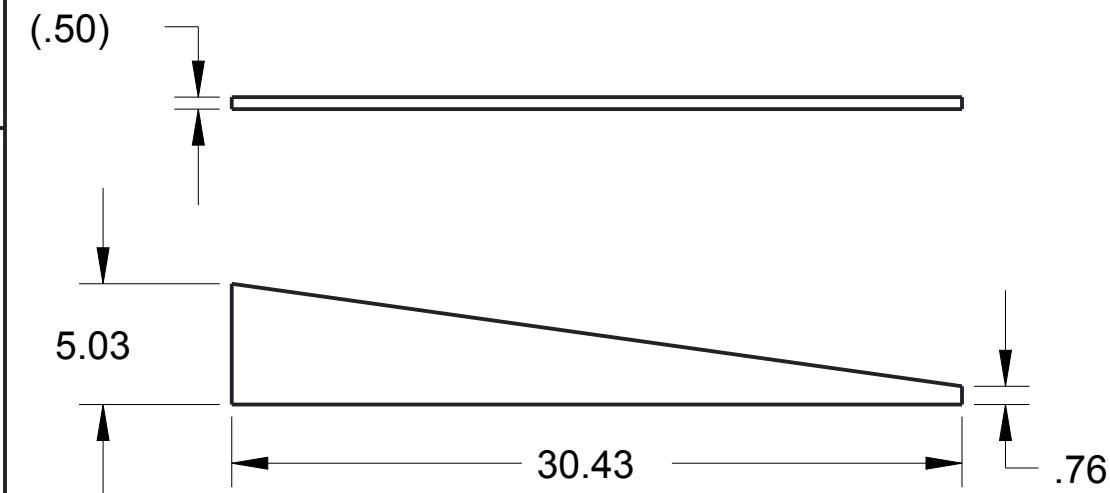
NOTE

Part: TE-16141-01
Material: 1/2" Plywood
Qty: 1



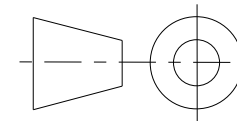
NOTE

Part: TE-16141-02
Material: 1/2" Plywood
Qty: 1



NOTE

Part: TE-16141-03
Material: 1/2" Plywood
Qty: 1



UNLESS OTHERWISE SPECIFIED ALL DIMENSIONS ARE IN INCHES.
TOLERANCES ARE:
X.X +/- 0.1
X.XX +/- 0.01
X.XXX +/- 0.001
ANG +/- 1°

DO NOT SCALE



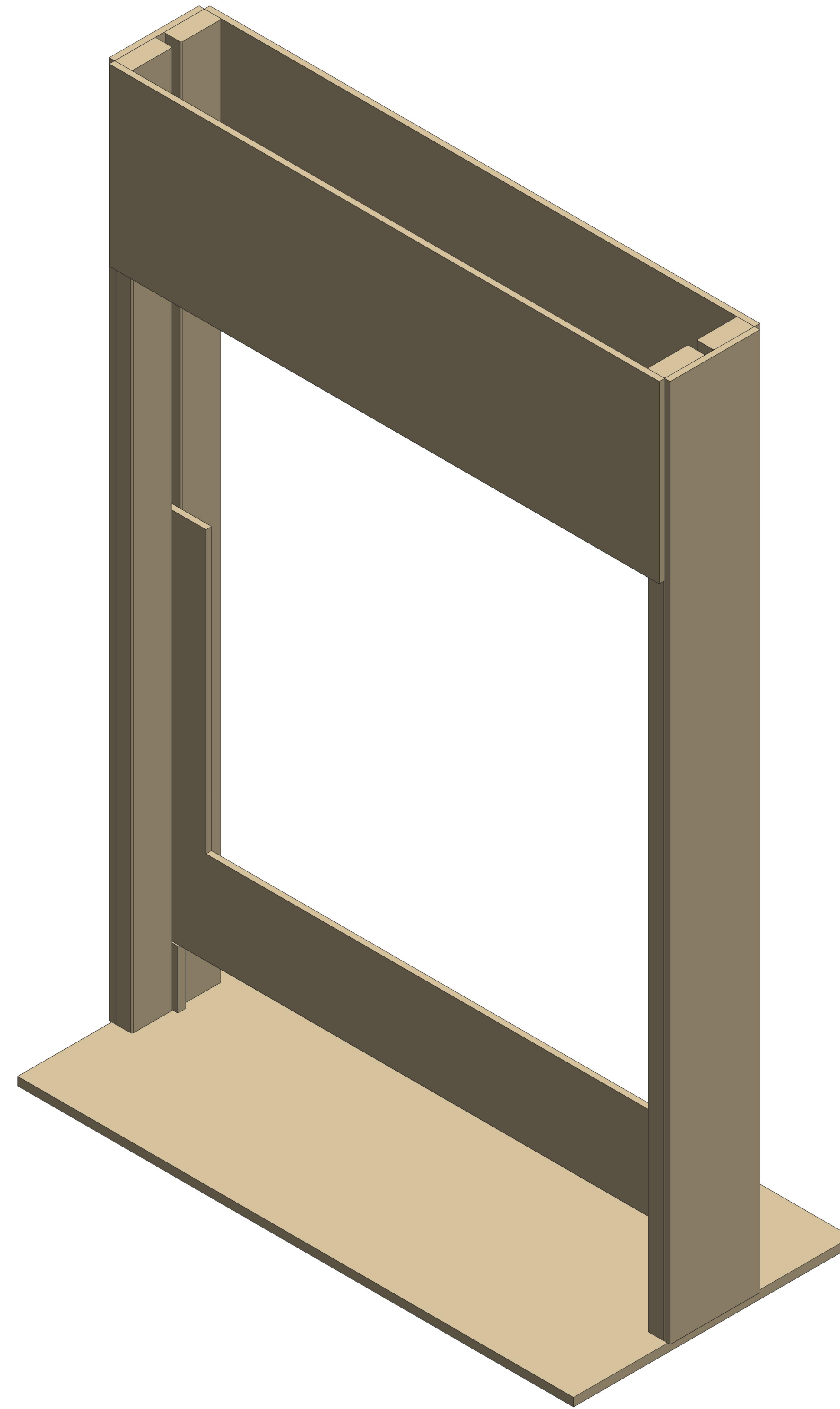
THIS DOCUMENT IS SUPPLIED IN CONFIDENCE. NO REPRODUCTION OF THIS DOCUMENT IN PART OR IN WHOLE OR THEREON OF THE ITEMS SHOWN MAY BE MADE WITHOUT THE COPYRIGHT OWNERS WRITTEN PERMISSION

DRAWN BY	DATE
CHECKED BY	DATE
APPROVED BY	DATE
SCALE 17:192	SHEET 3 OF 3


TITLE BATTER RAMP, HALF CORNER 2		
PROJECT	MODEL NAME TE-16141	ISSUE

MODEL NAME: TE-16157
 TITLE: Team Portcullis

REVISION	LOCATION	DESCRIPTION	APPROVED	DATE
A	E2, Page 2	Added BOM Balloons	NJS	2/5/16



ITEM NO	PART NUMBER	QTY	DESCRIPTION	NOTES
1	TE-16157-01	1	TE-16157-01	3/4" Plywood
2	TE-16157-02	4	TE-16157-02	2x4 Lumber
3	TE-16157-03	2	TE-16157-03	1/2" Plywood
4	TE-16157-04	2	TE-16157-04	1/2" Plywood
5	TE-16157-05	1	TE-16157-05	1/2" Plywood
6	TE-16157-06	2	TE-16157-06	3/4" Plywood

 <small>UNLESS OTHERWISE SPECIFIED ALL DIMENSIONS ARE IN INCHES. TOLERANCES ARE: XXX +/- 0.1 XXXX +/- 0.01 ANG +/- 1</small> DO NOT SCALE	<small>DRAWN BY</small> <small>CHECKED BY</small> <small>APPROVED BY</small>	<small>DATE</small> <small>DATE</small> <small>DATE</small>
	<small>THIS DOCUMENT IS SUPPLIED IN CONFIDENCE. NO REPRODUCTION OF THIS DOCUMENT IN PART OR IN WHOLE OR THE DISCLOSURE OF THE ITEMS SHOWN MAY BE MADE WITHOUT THE COPYRIGHT OWNER'S WRITTEN PERMISSION.</small>	
	<small>TITLE</small> Team Portcullis	
	<small>PROJECT</small>	<small>MODEL NAME</small> TE-16157

1 2 3 4 5 6 7 8

E

E

D

D

C

C

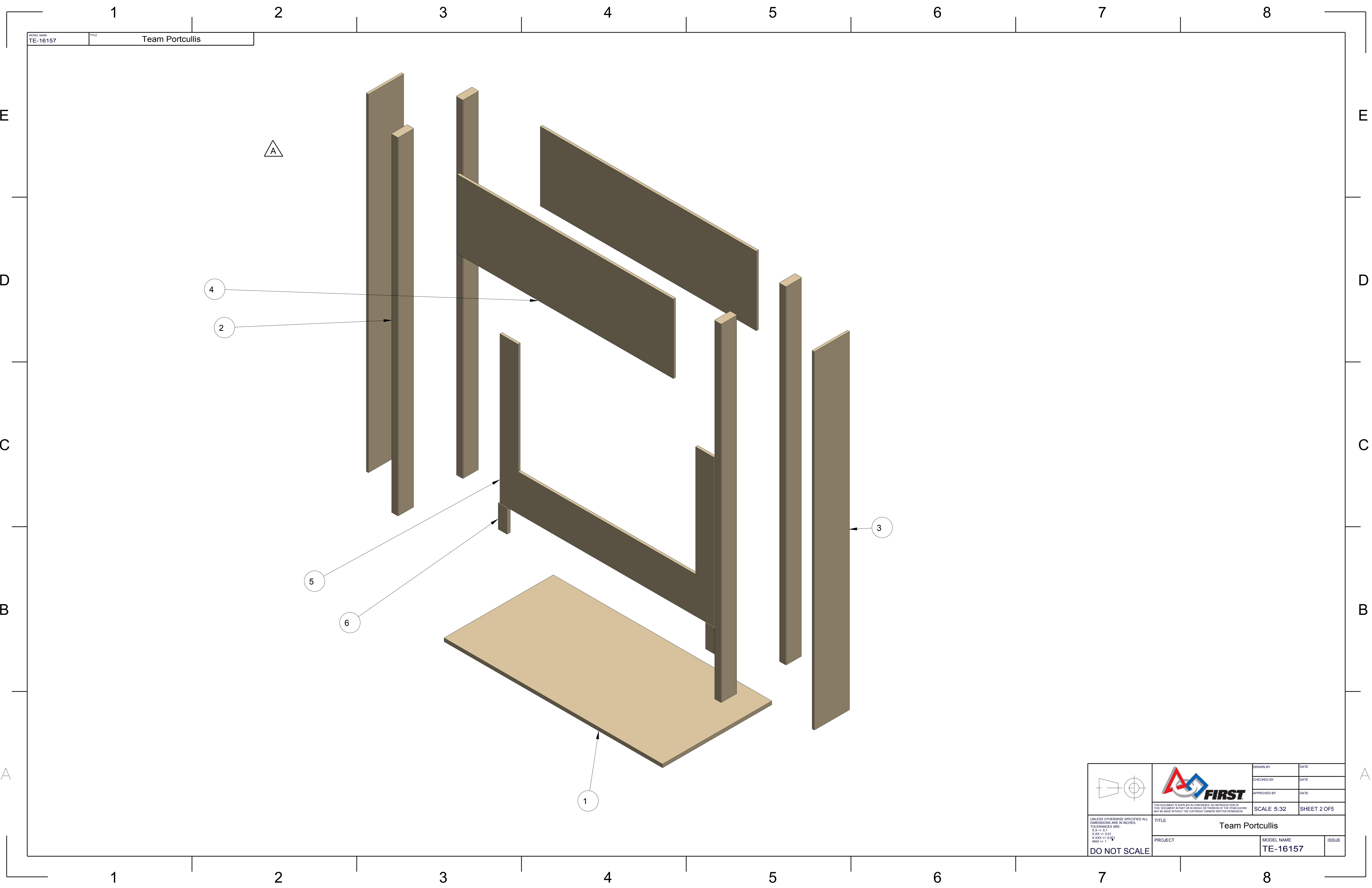
B

B

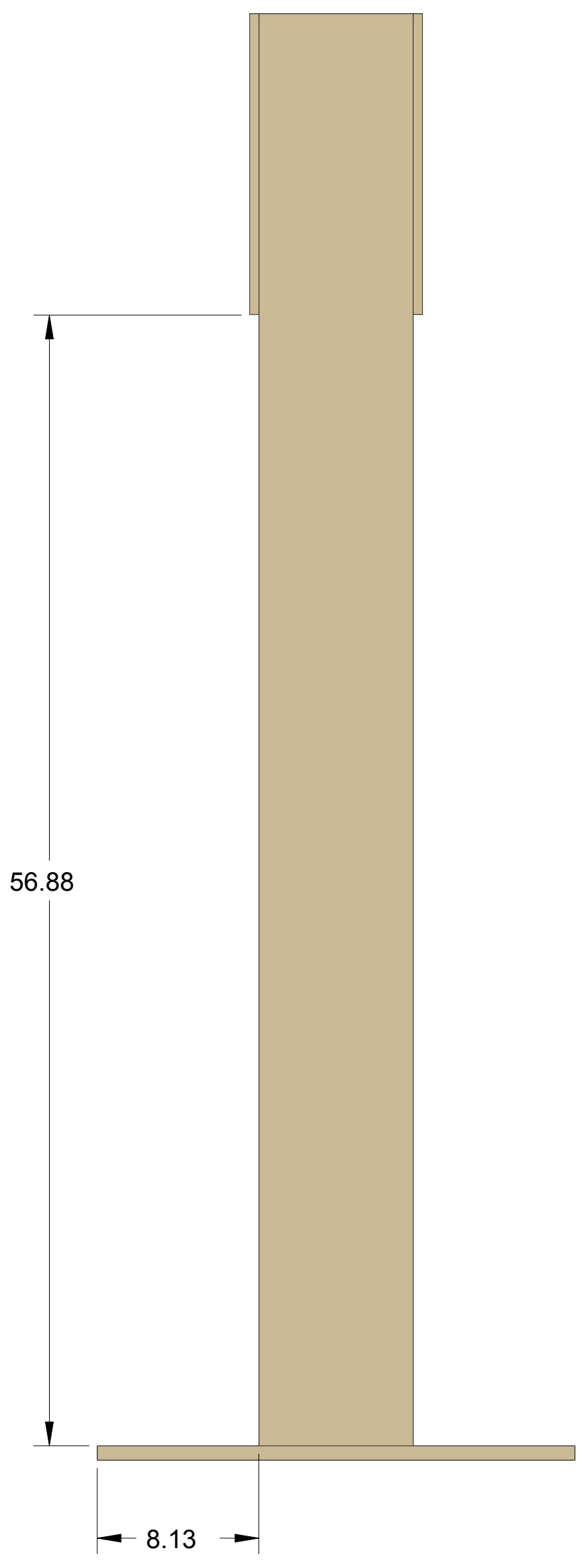
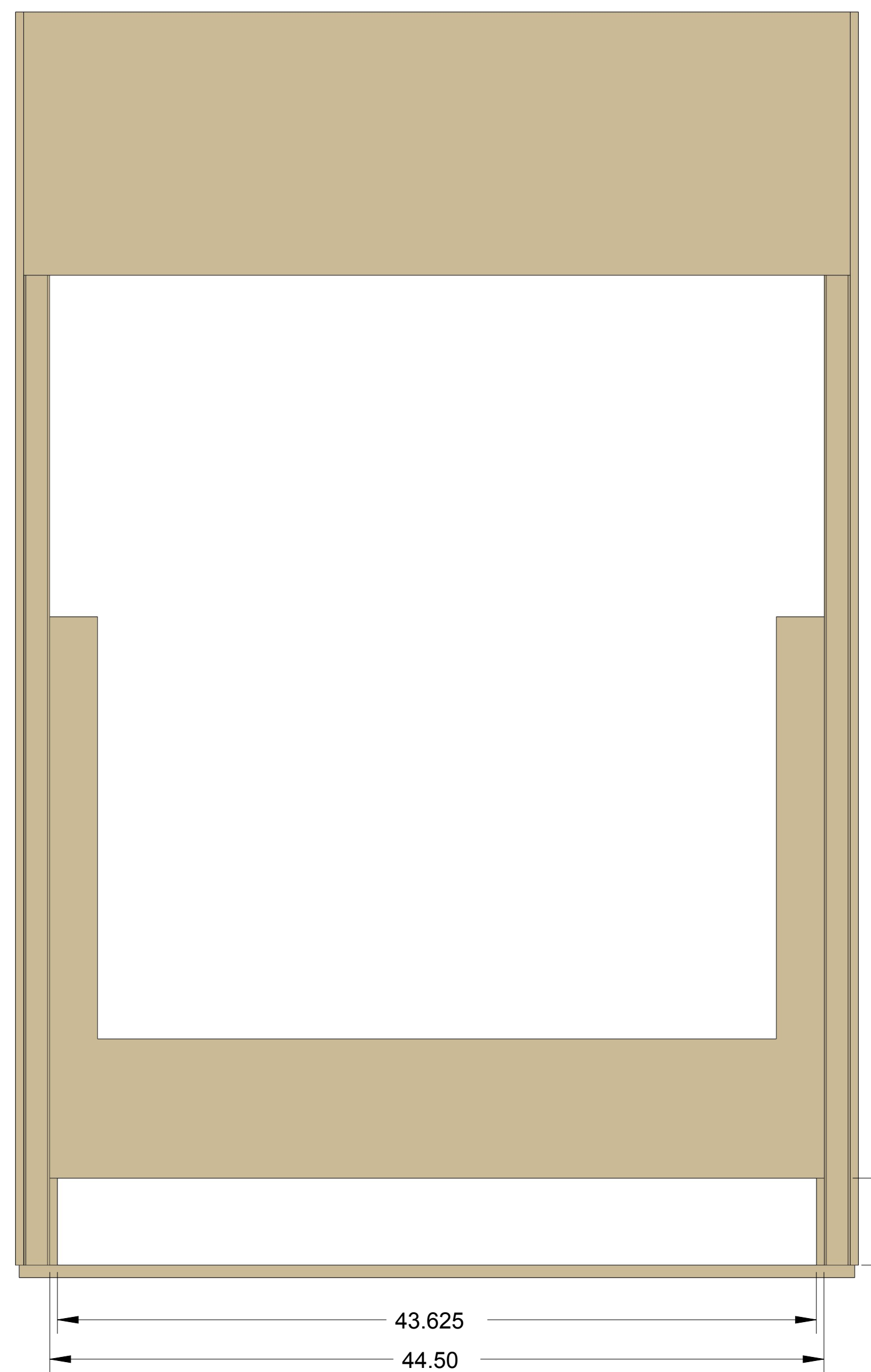
A

A

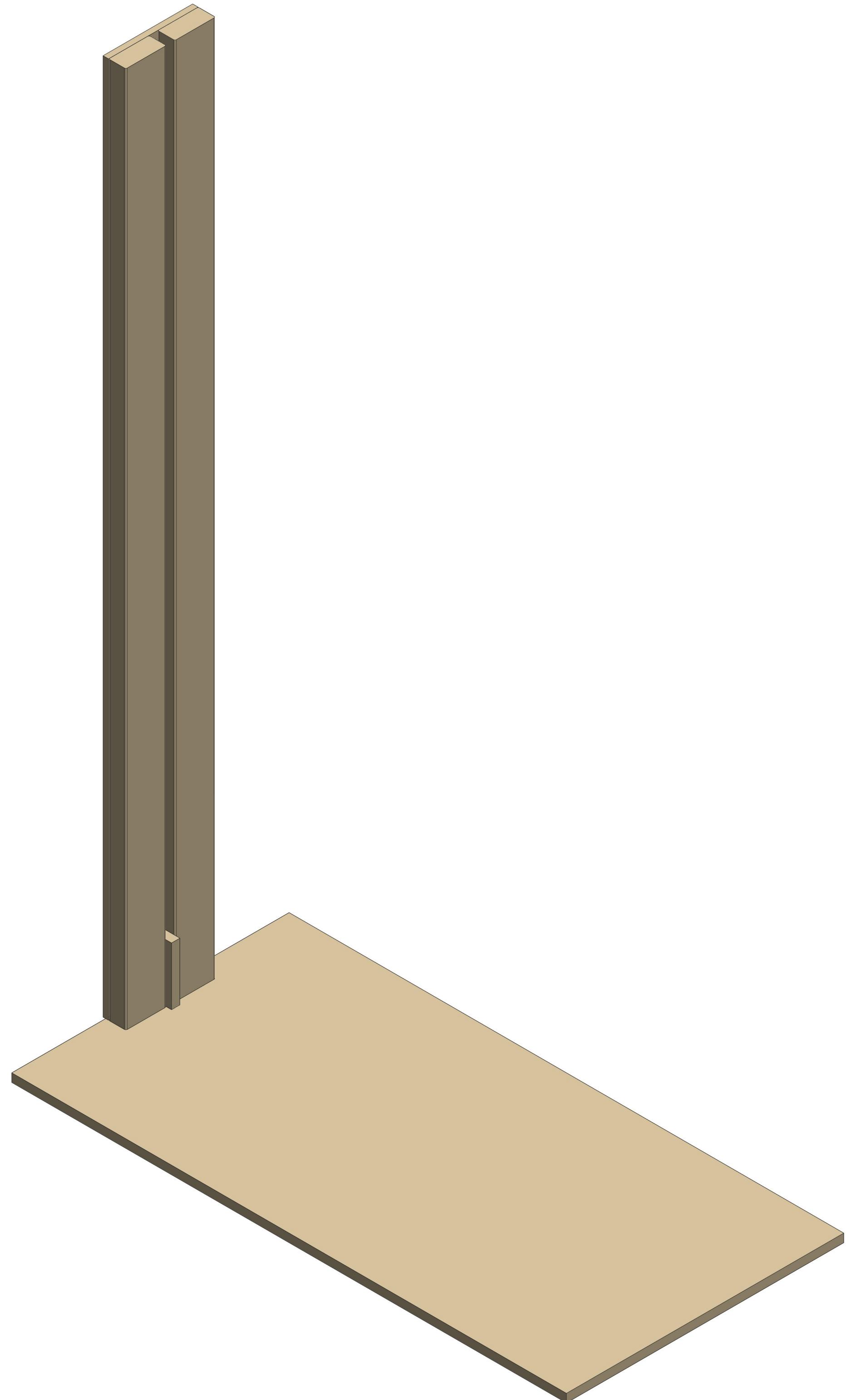
1 2 3 4 5 6 7 8



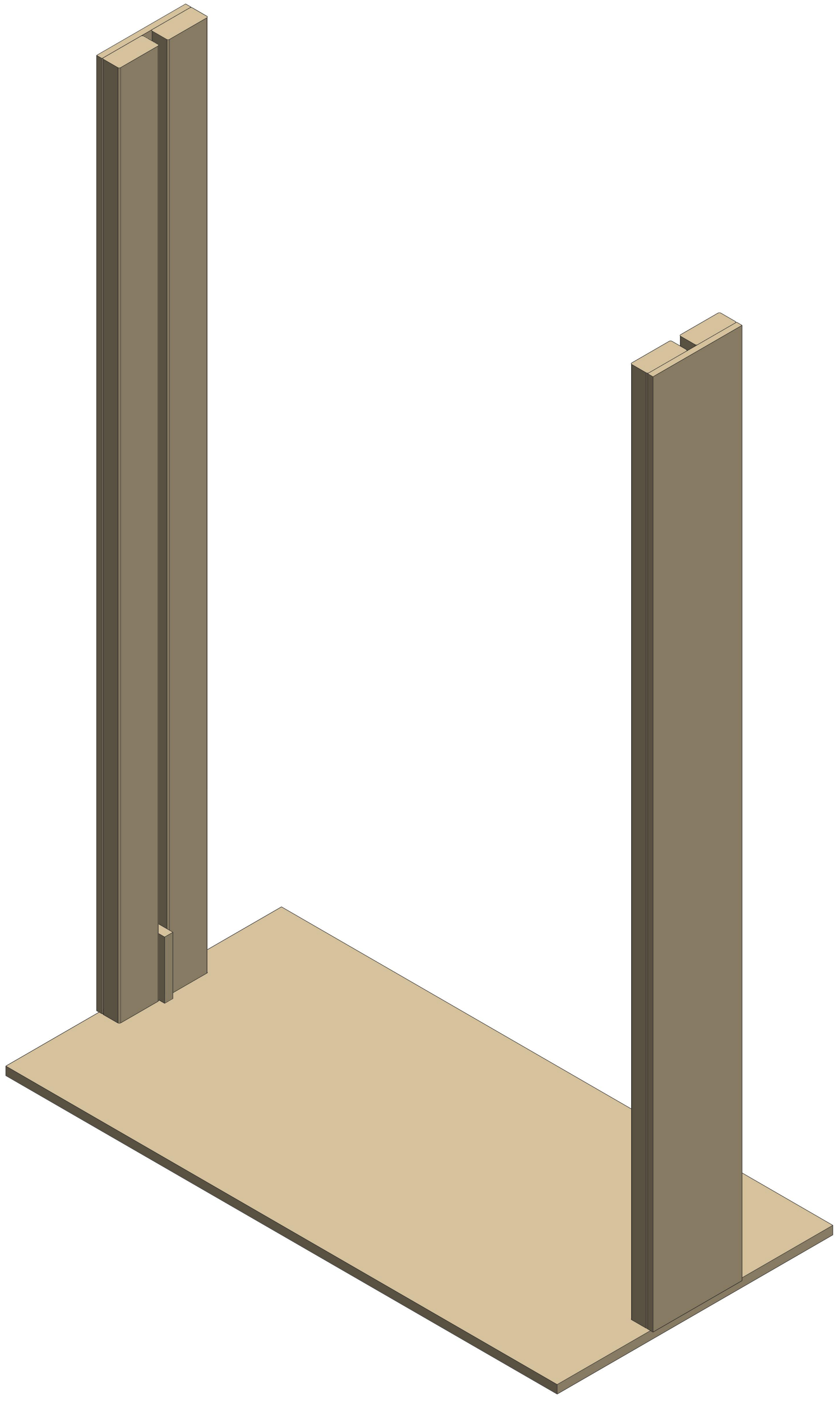
	<small>UNLESS OTHERWISE SPECIFIED ALL DIMENSIONS ARE IN INCHES.</small> <small>TOLERANCES ARE:</small> <small>XXX +/- 0.1</small> <small>XXX +/- 0.01</small> <small>XXX +/- 0.001</small> <small>ANG +/- 1</small> DO NOT SCALE	<small>DRAWN BY</small> <small>CHECKED BY</small> <small>APPROVED BY</small>	<small>DATE</small> <small>DATE</small> <small>DATE</small>	
	<small>THIS DOCUMENT IS SUPPLIED IN CONFIDENCE. NO REPRODUCTION OF THIS DOCUMENT IN PART OR IN WHOLE OR THE DISCLOSURE OF THE ITEMS SHOWN MAY BE MADE WITHOUT THE COPYRIGHT OWNER'S WRITTEN PERMISSION.</small>			
	TITLE Team Portcullis		<small>SCALE</small> 5:32	<small>SHEET</small> 2 OF 5
	<small>PROJECT</small>	<small>MODEL NAME</small> TE-16157	<small>ISSUE</small>	



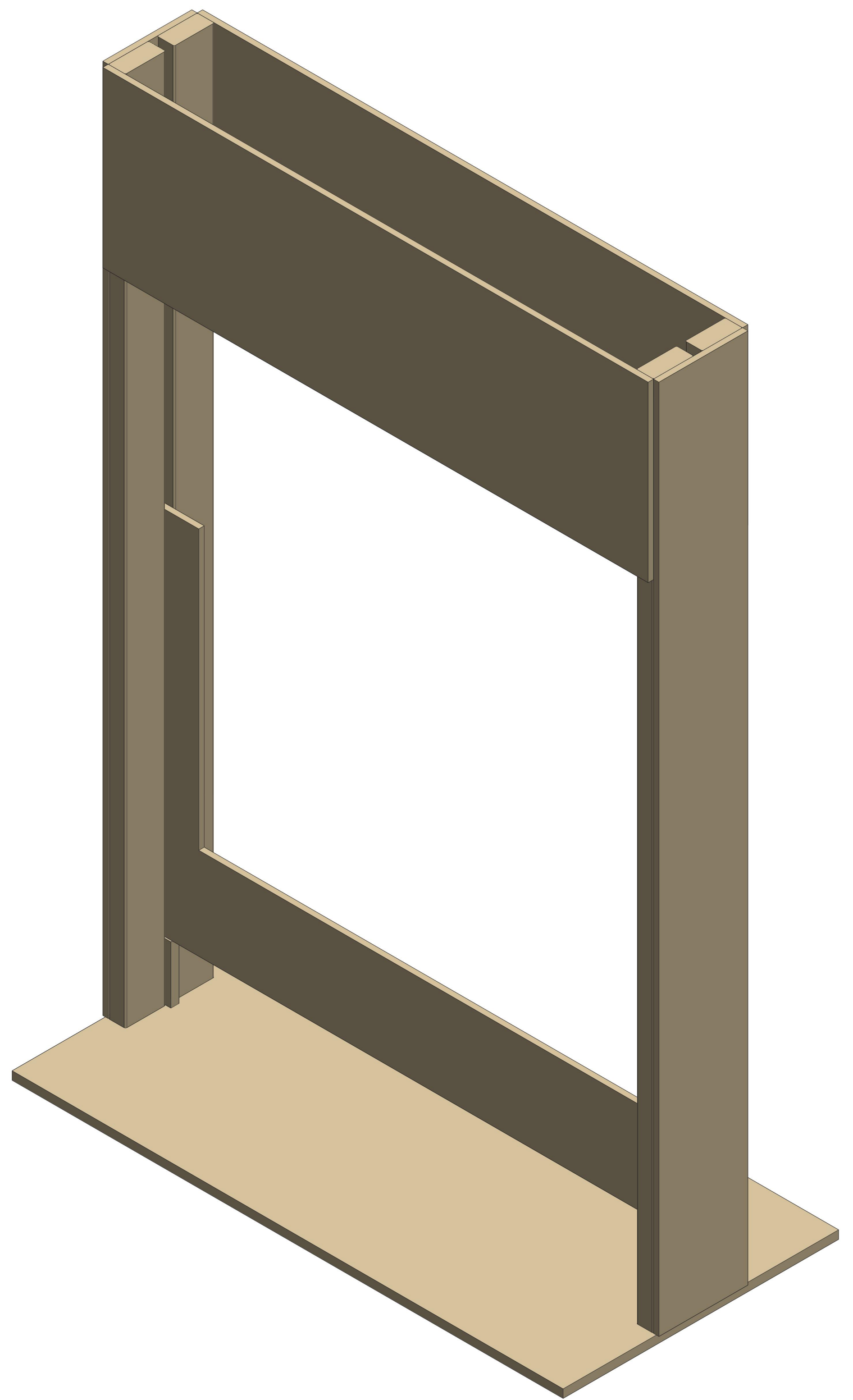
	DRAWN BY	DATE
	CHECKED BY	DATE
	APPROVED BY	DATE
	<small>UNLESS OTHERWISE SPECIFIED ALL DIMENSIONS ARE IN INCHES. TOLERANCES ARE: XXX ± 0.1 XXXX ± 0.01 ANG ± 1</small>	
TITLE: Team Portcullis		SCALE 3:16 SHEET 3 OF 5
PROJECT:		MODEL NAME: TE-16157
DO NOT SCALE		ISSUE:




NOTE: Secure one side of uprights to the base using wood screws and wood glue.



NOTE: Secure the second set of uprights to the base using wood screws and wood glue.

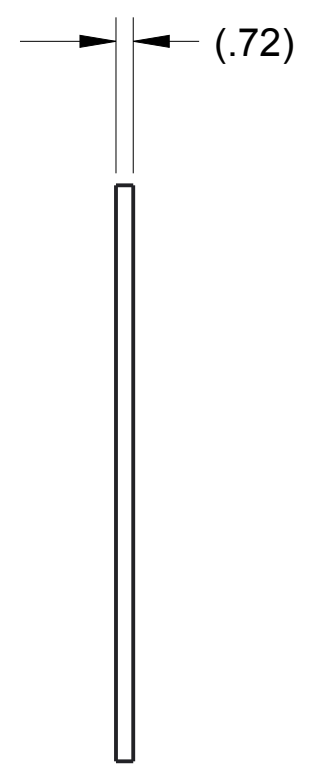
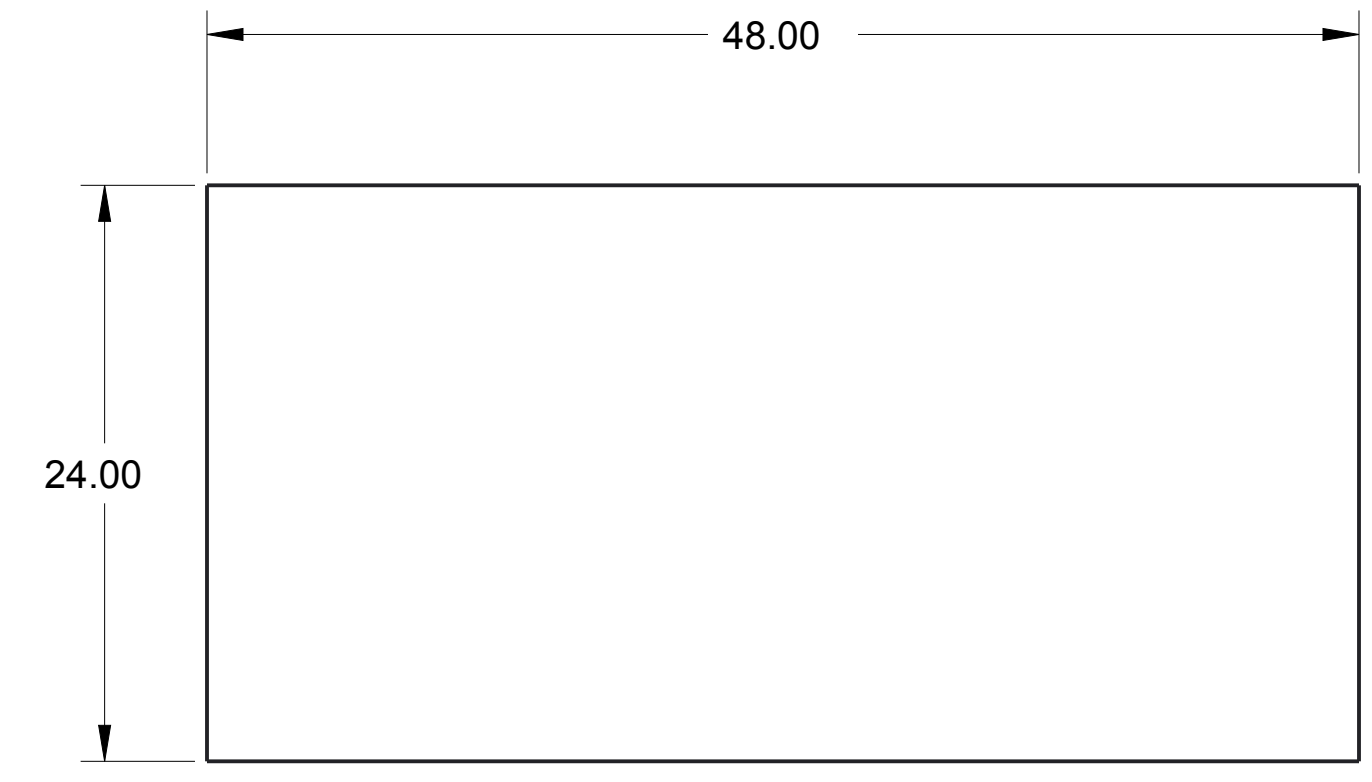


NOTE: Finish the assembly by connecting the two sets of uprights as shown. Then place the Portcullis Door in the groove, making sure it can move up and down freely, coming to rest on the two stands connected to the uprights.

	DRAWN BY	DATE
	CHECKED BY	DATE
	APPROVED BY	DATE
<small>UNLESS OTHERWISE SPECIFIED ALL DIMENSIONS ARE IN INCHES. X.XX +/- 0.01 X.XXX +/- 0.001 ANG +/- 1</small>		<small>THIS DOCUMENT IS SUPPLIED IN CONFIDENCE. NO REPRODUCTION OF THIS DOCUMENT IN PART OR IN WHOLE OR THE DISCLOSURE OF THE ITEMS SHOWN MAY BE MADE WITHOUT THE COPYRIGHT OWNER'S WRITTEN PERMISSION.</small>
TITLE: Team Portcullis		SCALE 3:16 SHEET 4 OF 5
PROJECT	MODEL NAME: TE-16157	ISSUE

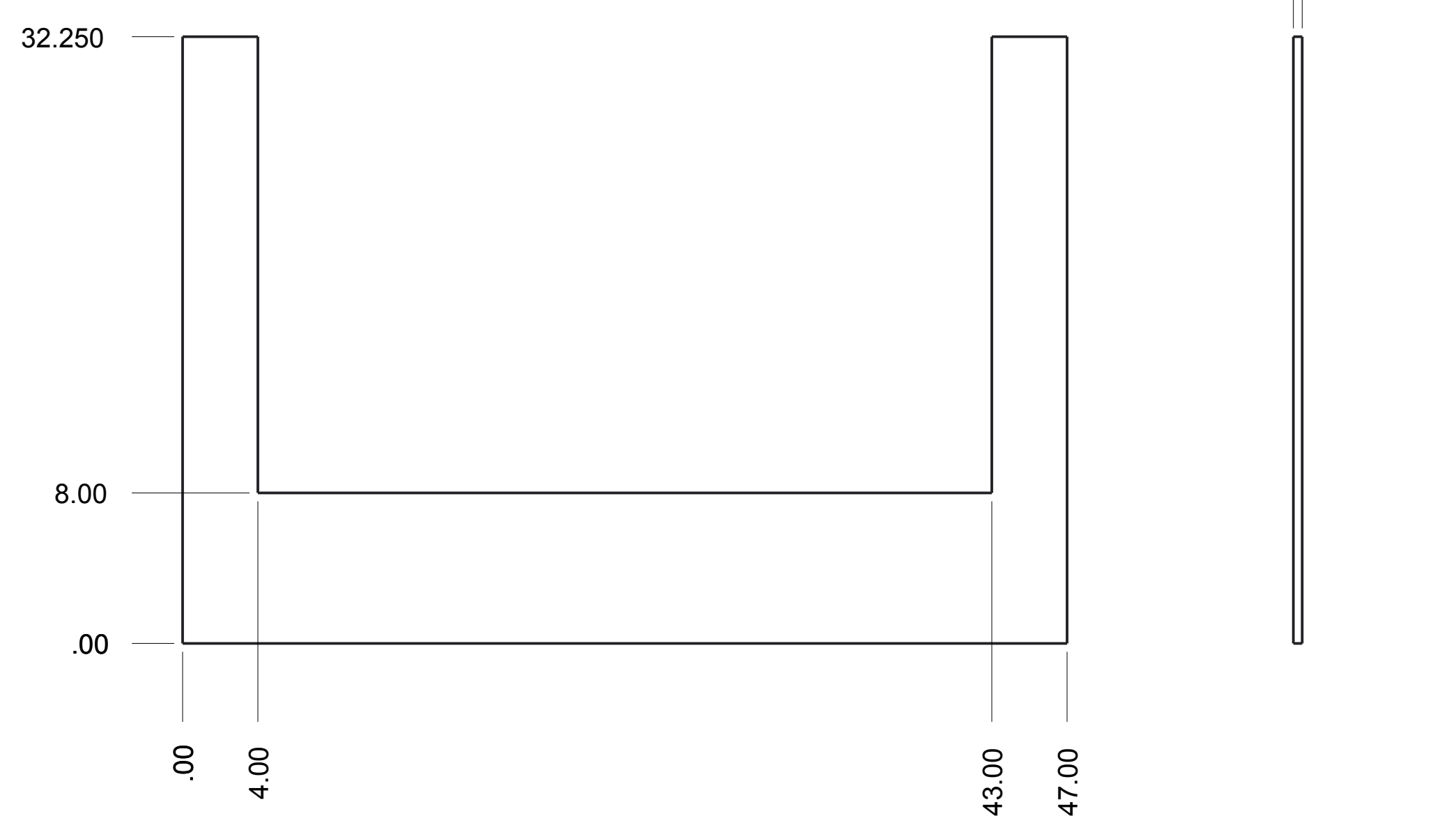
DO NOT SCALE

E



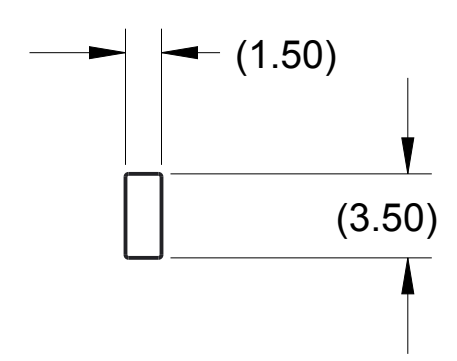
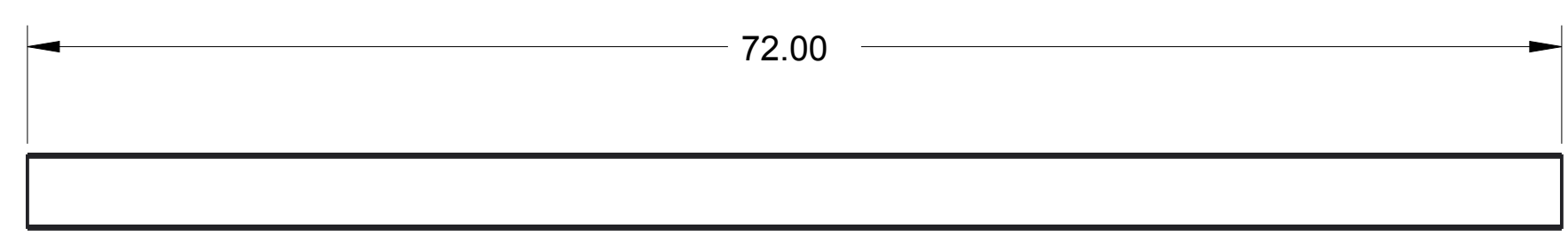
NOTE
 Part: TE-16157-01
 Material: 3/4" Plywood (23/32")
 Scale: 1:8
 Qty: 1

D



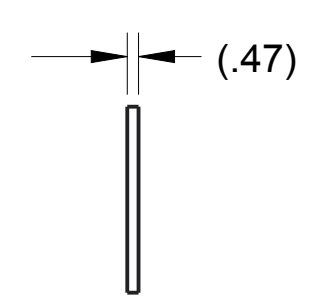
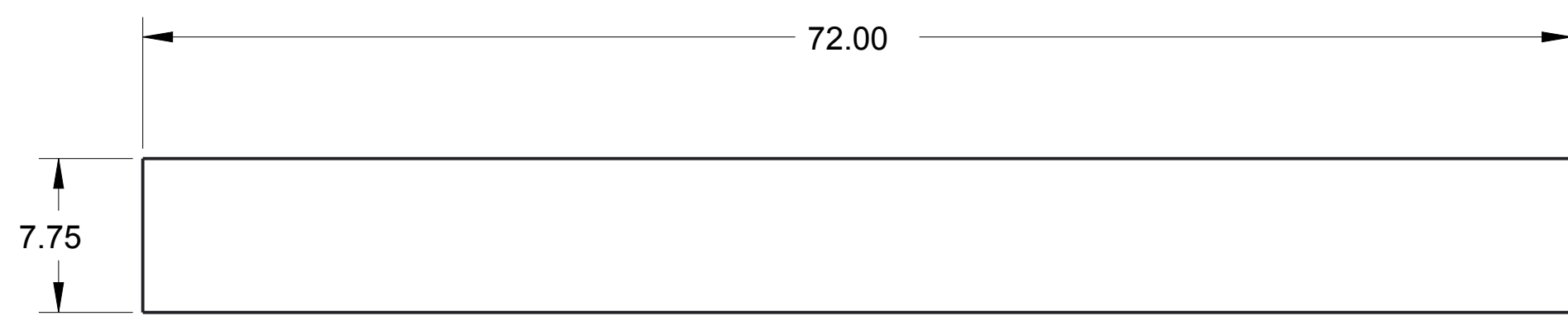
NOTE
 Part: TE-16157-05
 Material: 1/2" Plywood (15/32")
 Scale: 1:8
 Qty: 1

C

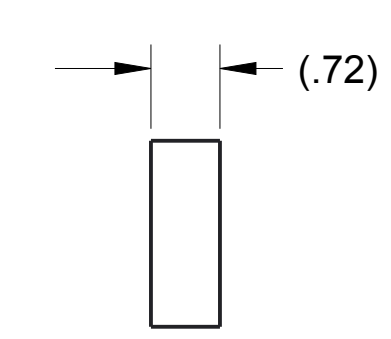
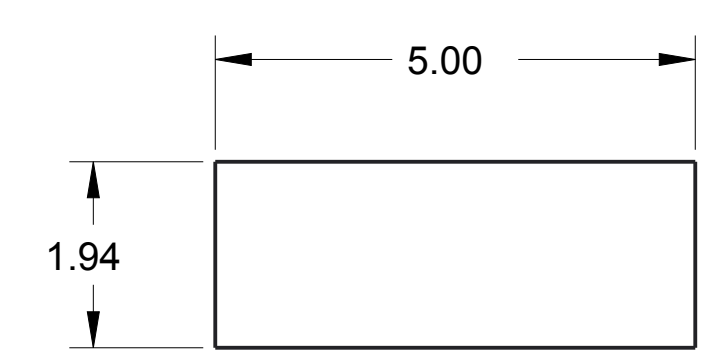


NOTE
 Part: TE-16157-02
 Material: 2x4 Lumber
 Scale: 1:8
 Qty: 4

B

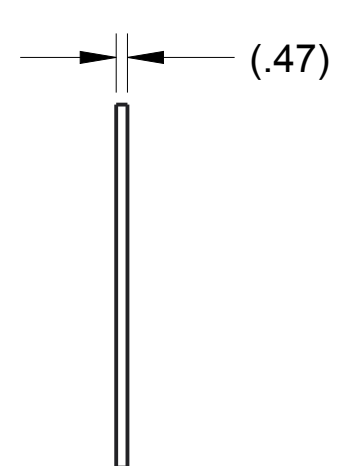
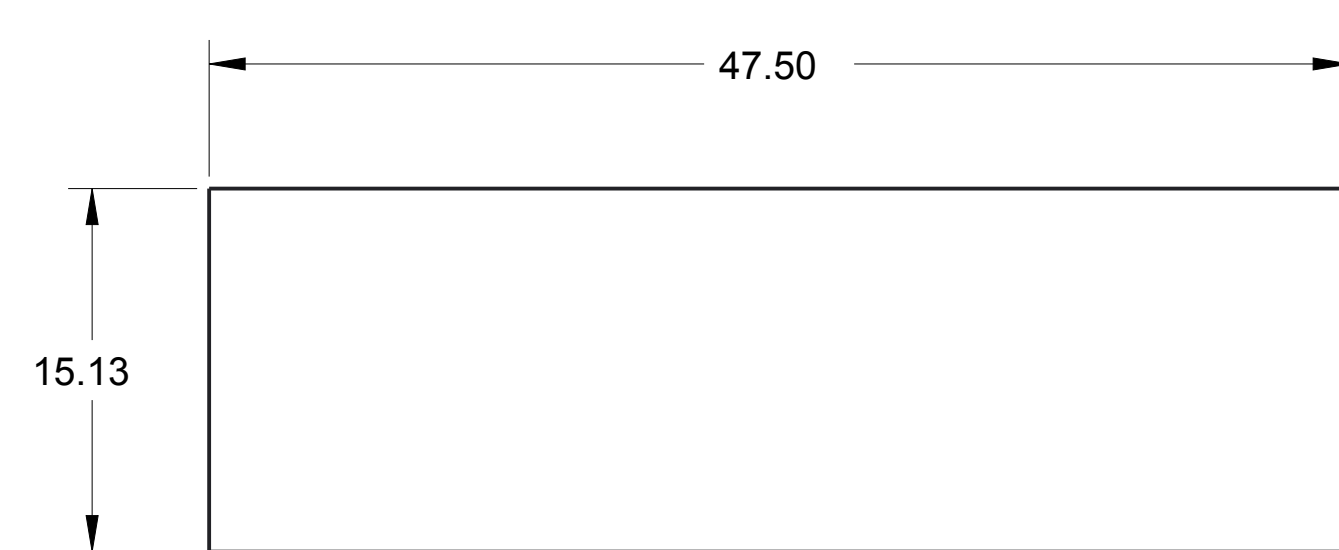


NOTE
 Part: TE-16157-03
 Material: 1/2" Plywood (15/32")
 Scale: 1:8
 Qty: 2



NOTE
 Part: TE-16157-06
 Material: 3/4" Plywood (23/32")
 Scale: 1:8
 Qty: 2

A



NOTE
 Part: TE-16157-04
 Material: 1/2" Plywood (15/32")
 Scale: 1:8
 Qty: 2

	DRAWN BY	DATE
	CHECKED BY	DATE
	APPROVED BY	DATE
	SCALE 1:8 SHEET 5 OF 5	
TITLE: Team Portcullis		
PROJECT:		MODEL NAME: TE-16157
ISSUE:		

UNLESS OTHERWISE SPECIFIED ALL DIMENSIONS ARE IN INCHES.
 TOLERANCES ARE:
 XXX ± 0.1
 XXXX ± 0.01
 XXXX ± 0.001
 ANG ± .1

DO NOT SCALE

1

2

3

4

5

6

7

8