

MODEL NAME
GE-14000

TITLE
Truss Assembly

D

D

C

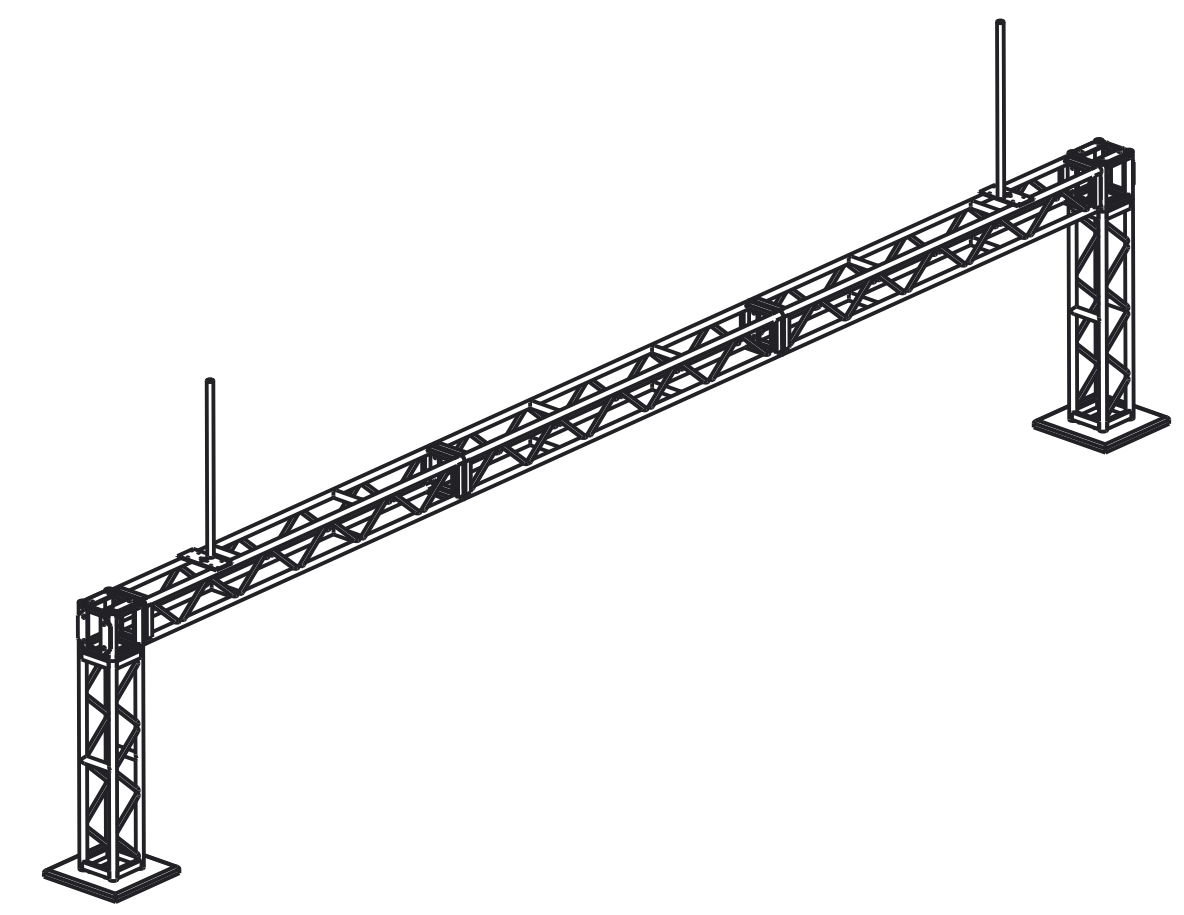
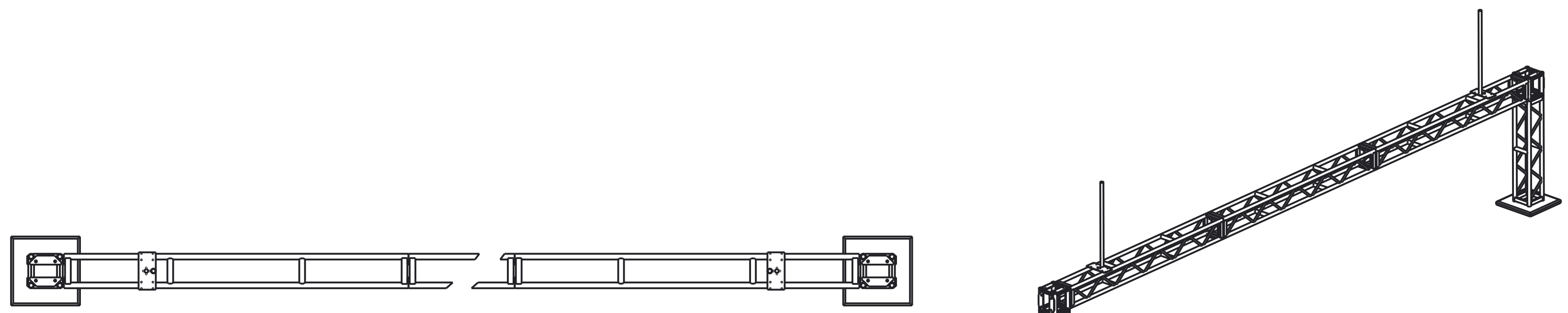
C

B

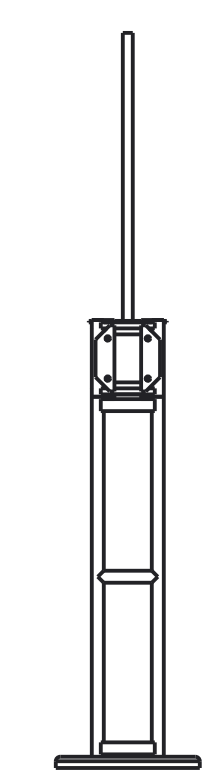
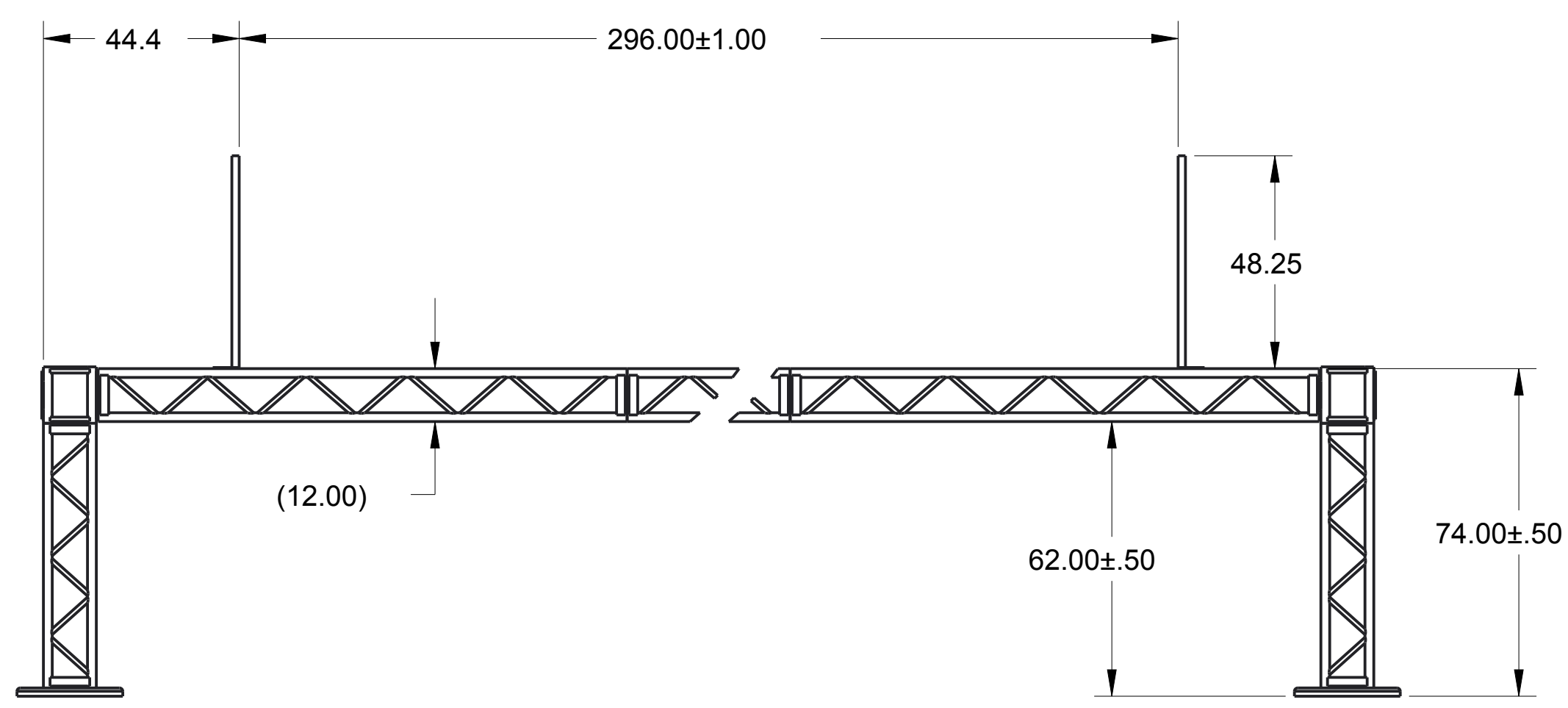
B

A

A



SCALE 1:48



ITEM NO	PART NUMBER	QTY	DESCRIPTION	NOTES
1	GE-14001	3	Truss, 10' Section	
2	GE-14002	2	Truss, 5' Section	
3	GE-14003	2	Truss, Square	
4	GE-14004	2	Truss Baseplate	
5	GE-14008	2	Truss OB Pole	

	DRAWN BY	DATE
	CHECKED BY	DATE
	APPROVED BY	DATE
<small>THIS DOCUMENT IS SUPPLIED IN CONFIDENCE. NO REPRODUCTION OF THIS DOCUMENT IN PART OR IN WHOLE OR THEREON OF THE ITEMS SHOWN MAY BE MADE WITHOUT THE COPYRIGHT OWNERS WRITTEN PERMISSION</small>		SCALE 1:32 SHEET 1 OF 2
TITLE Truss Assembly		
PROJECT	MODEL NAME GE-14000	ISSUE

UNLESS OTHERWISE SPECIFIED ALL DIMENSIONS ARE IN INCHES.
 TOLERANCES ARE:
 .XX ± 0.1
 .XXX ± 0.01
 X.XXX ± 0.001
 ANG ± .1
DO NOT SCALE

1

2

3

4

D

D

C

C

B

B

A

A

1

2

3

4

1

2

3

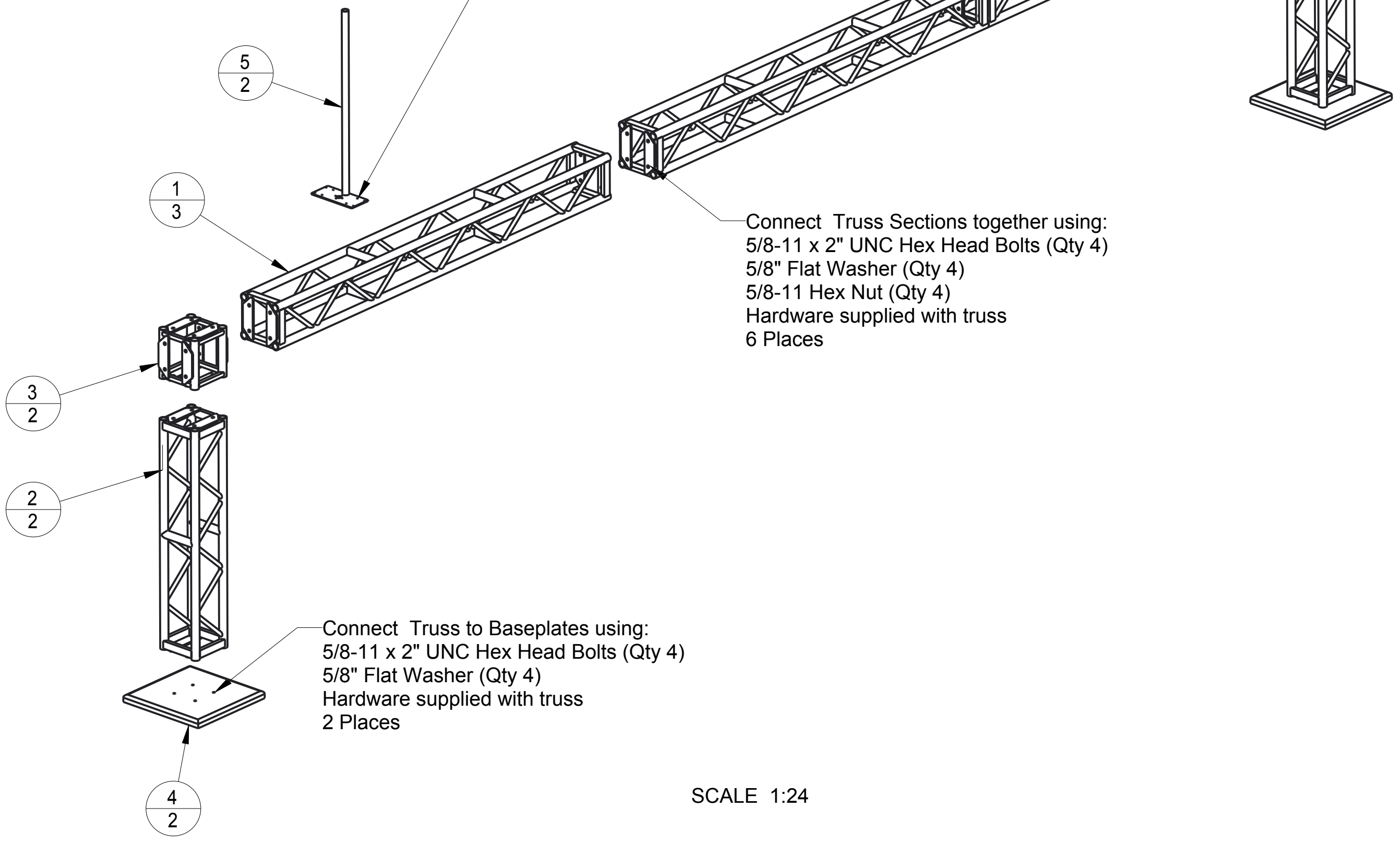
4


Attach Truss OB Pole to Truss Assembly using:
 - U-Bolt, 1/4"-20 x 1-3/8" Thread Length, for 2" OD Pipe (Qty 4)
 - 1/4-20 Hext Nut (Qty 8)
 2 Places

Connect Truss Sections together using:
 5/8-11 x 2" UNC Hex Head Bolts (Qty 4)
 5/8" Flat Washer (Qty 4)
 5/8-11 Hex Nut (Qty 4)
 Hardware supplied with truss
 6 Places

Connect Truss to Baseplates using:
 5/8-11 x 2" UNC Hex Head Bolts (Qty 4)
 5/8" Flat Washer (Qty 4)
 Hardware supplied with truss
 2 Places

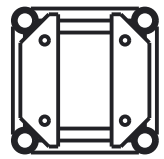
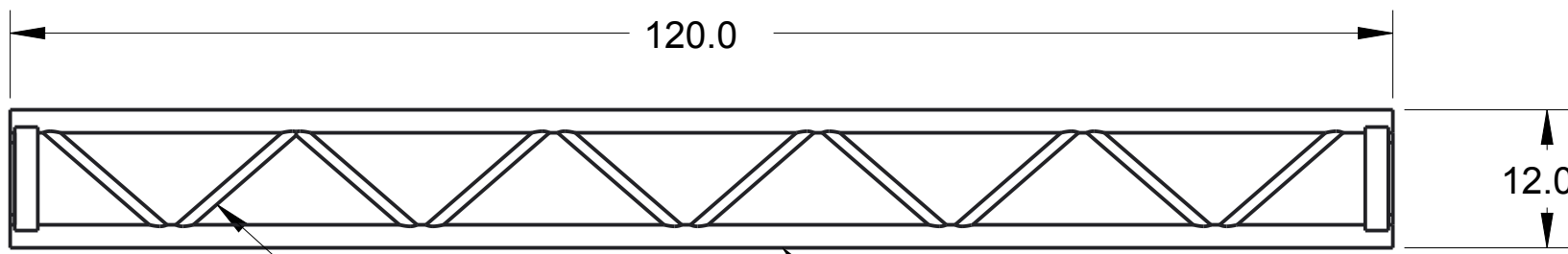
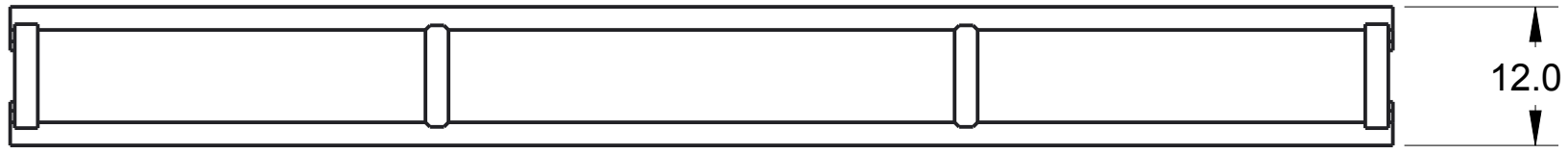
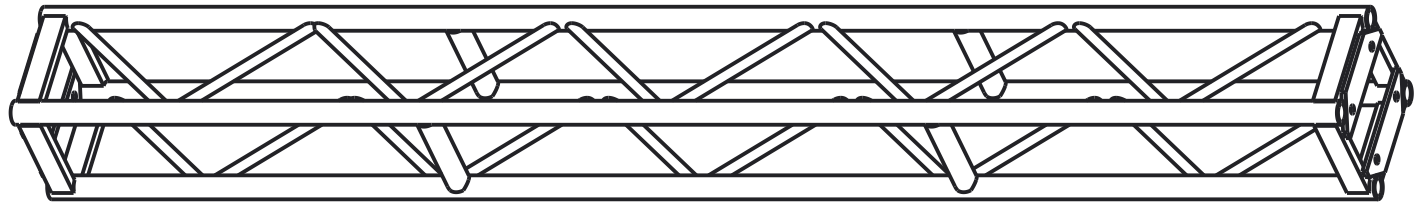
SCALE 1:24



		DRAWN BY	DATE
		CHECKED BY	DATE
		APPROVED BY	DATE
<small>THIS DOCUMENT IS SUPPLIED IN CONFIDENCE. NO REPRODUCTION OF THIS DOCUMENT IN PART OR IN WHOLE OR THEREON OF THE ITEMS SHOWN MAY BE MADE WITHOUT THE COPYRIGHT OWNERS WRITTEN PERMISSION</small>		SCALE 1:32	SHEET 2 OF 2
<small>UNLESS OTHERWISE SPECIFIED ALL DIMENSIONS ARE IN INCHES. TOLERANCES ARE: .XX ±0.1 .XXX ±0.01 X.XXX ±0.001 ANG ±0.1</small>		TITLE: Truss Assembly	
DO NOT SCALE		PROJECT	MODEL NAME: GE-14000
		ISSUE	

MODEL NAME
GE-14001

TITLE
Truss, 10' Section



2" OD x .125" Thick Aluminum Tube

1" OD x .125" Thick Aluminum Tube

Description: General Purpose (GP) 1 ft. x 1 ft. Square Truss
 Part Number: B0700
 Manufacturer: James Thomas Engineering (or similar)
 Website: www.jthomaseng.com/general-purpose-truss.html

		DRAWN BY	DATE
		CHECKED BY	DATE
		APPROVED BY	DATE
<small>THIS DOCUMENT IS SUPPLIED IN CONFIDENCE. NO REPRODUCTION OF THIS DOCUMENT IN PART OR IN WHOLE OR THEREON OF THE ITEMS SHOWN MAY BE MADE WITHOUT THE COPYRIGHT OWNERS WRITTEN PERMISSION</small>		SCALE 1:16	SHEET 1 OF 1
TITLE Truss, 10' Section		PROJECT	ISSUE
<small>UNLESS OTHERWISE SPECIFIED ALL DIMENSIONS ARE IN INCHES. TOLERANCES ARE: X.X +/- 0.1 X.XX +/- 0.01 X.XXX +/- 0.001 ANG +/- 1°</small>		MODEL NAME GE-14001	
DO NOT SCALE			

MODEL NAME
GE-14002

TITLE
Truss, 5' Section

1

2

3

4

D

D

C

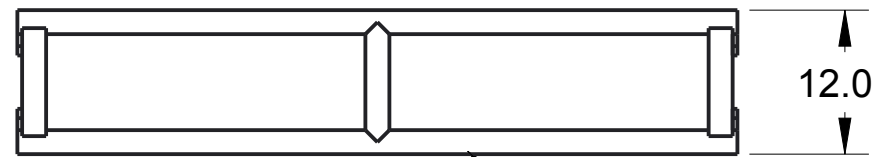
C

B

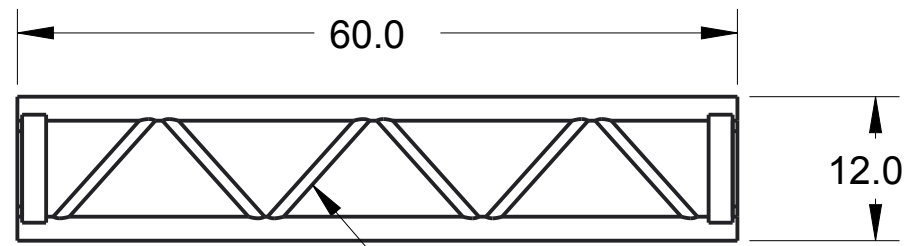
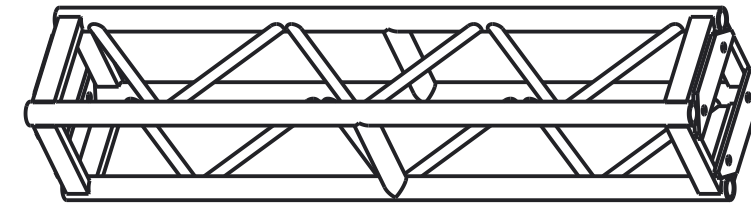
B

A

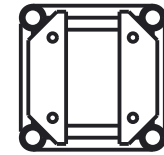
A



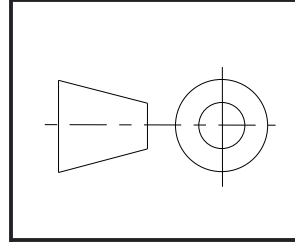
2" OD x .125" thick Aluminum Tube



1" OD x .125" thick Aluminum Tube



Description: General Purpose (GP) 1 ft. x 1 ft. Square Truss
Part Number: B0702
Manufacturer: James Thomas Engineering (or similar)
Website: www.jthomaseng.com/general-purpose-truss.html



UNLESS OTHERWISE SPECIFIED ALL DIMENSIONS ARE IN INCHES.
TOLERANCES ARE:
X.X +/- 0.1
X.XX +/- 0.01
X.XXX +/- 0.001
ANG +/- 1°
DO NOT SCALE



THIS DOCUMENT IS SUPPLIED IN CONFIDENCE. NO REPRODUCTION OF THIS DOCUMENT IN PART OR IN WHOLE OR THEREON OF THE ITEMS SHOWN MAY BE MADE WITHOUT THE COPYRIGHT OWNERS WRITTEN PERMISSION

DRAWN BY	DATE
CHECKED BY	DATE
APPROVED BY	DATE
SCALE 1:16	SHEET 1 OF 1

TITLE Truss, 5' Section	
PROJECT	MODEL NAME GE-14002
ISSUE	

1

2

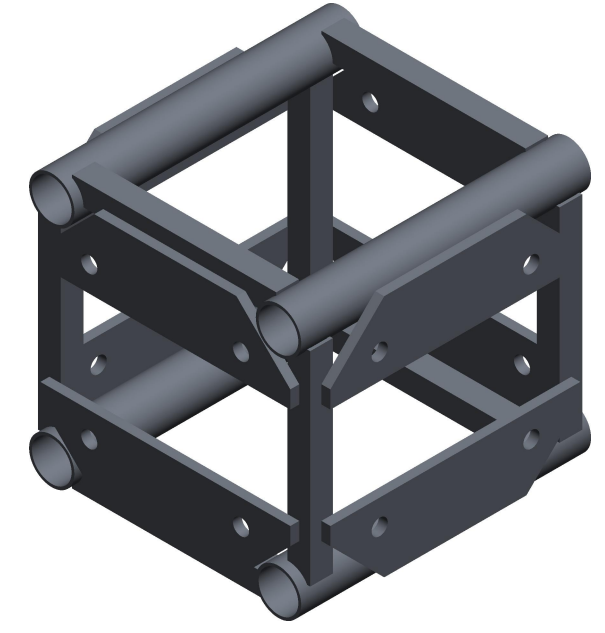
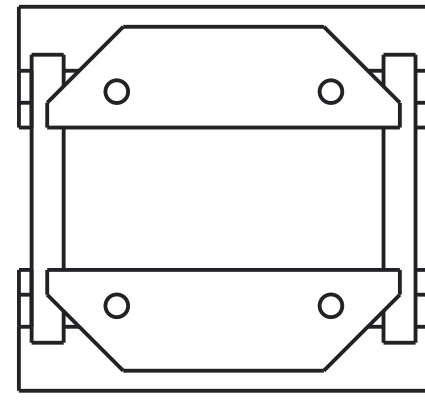
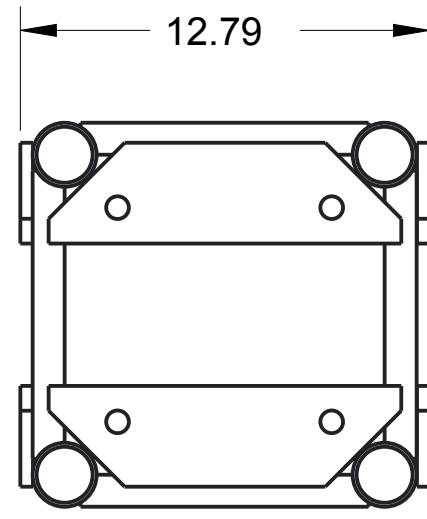
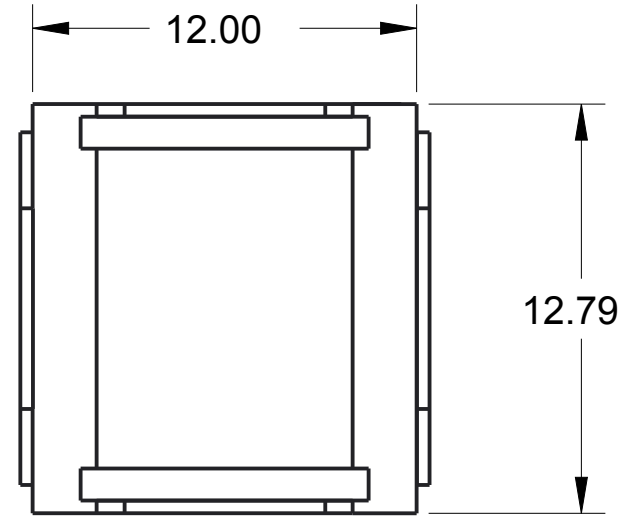
3

4

MODEL NAME
GE-14003

TITLE

Truss Square



UNLESS OTHERWISE SPECIFIED ALL DIMENSIONS ARE IN INCHES.
TOLERANCES ARE:
X.X +/- 0.1
X.XX +/- 0.01
X.XXX +/- 0.001
ANG +/- 1°

DO NOT SCALE



THIS DOCUMENT IS SUPPLIED IN CONFIDENCE. NO REPRODUCTION OF THIS DOCUMENT IN PART OR IN WHOLE OR THEREON OF THE ITEMS SHOWN MAY BE MADE WITHOUT THE COPYRIGHT OWNERS WRITTEN PERMISSION

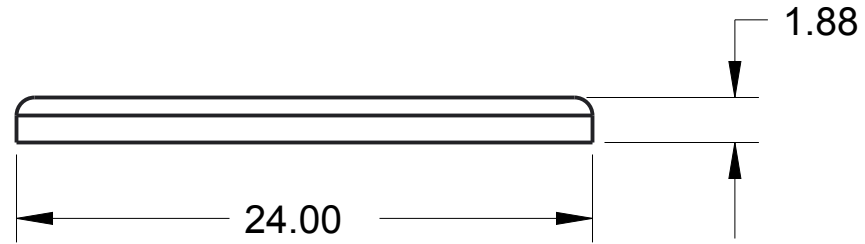
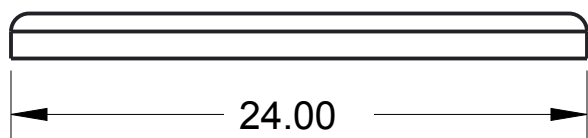
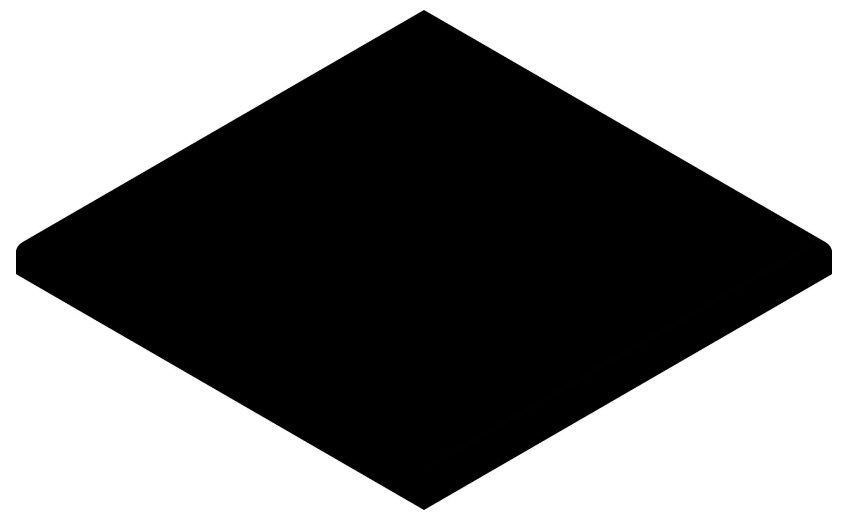
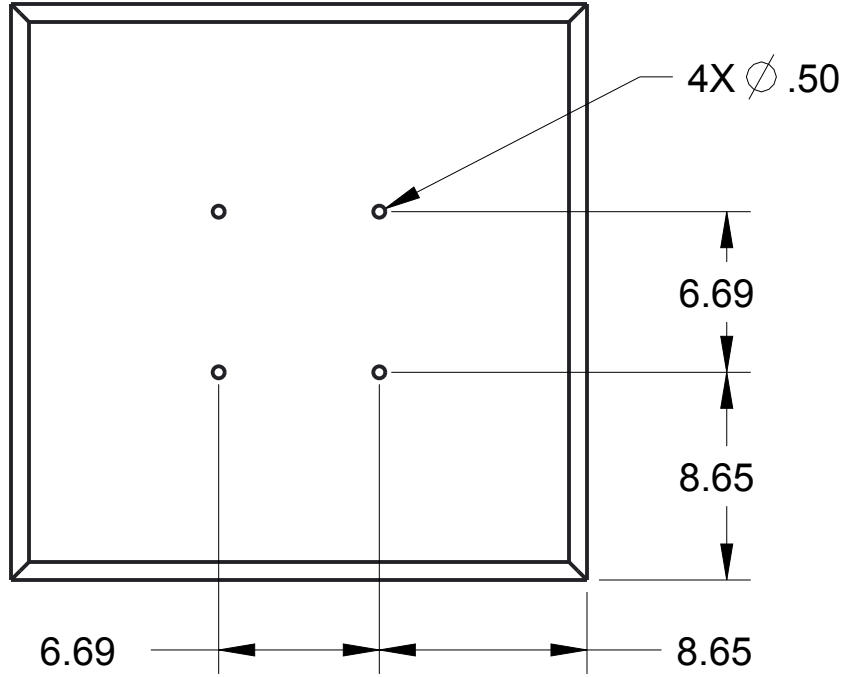
DRAWN BY	DATE
CHECKED BY	DATE
APPROVED BY	DATE
SCALE 1:6	SHEET 1 OF 1

TITLE Truss Square	
PROJECT	MODEL NAME GE-14003
ISSUE	

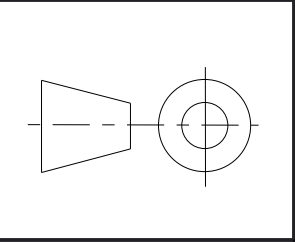
Description: General Purpose (GP) 1 ft. x 1 ft. 4 Way Corner Block
Part Number: B4706
Manufacturer: James Thomas Engineering (or similar)
Website: www.jthomaseng.com/general-purpose-truss.html

MODEL NAME
GE-14004

TITLE
Truss Baseplate



Description: Truss Base Plate (24" x 24") for 12" x 12" GP Truss
 Part Number: B4620
 Manufacturer: James Thomas Engineering (or similar)
 Website: www.jthomaseng.com/general-purpose-truss.html



UNLESS OTHERWISE SPECIFIED ALL DIMENSIONS ARE IN INCHES.
 TOLERANCES ARE:
 X.X +/- 0.1
 X.XX +/- 0.01
 X.XXX +/- 0.001
 ANG +/- 1°

DO NOT SCALE

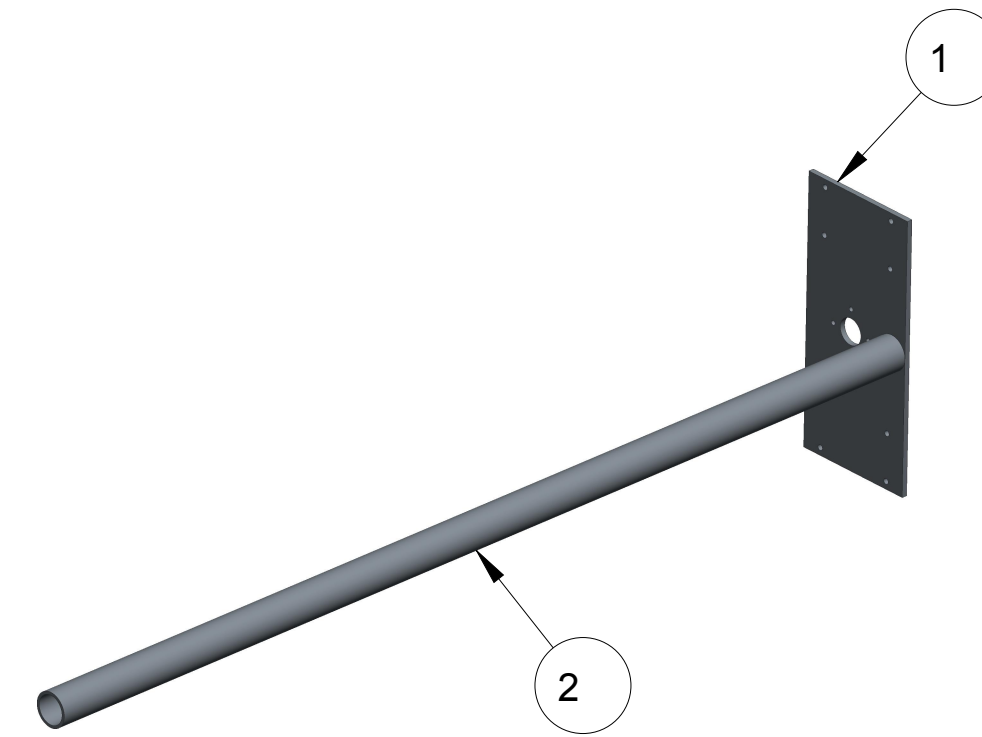


THIS DOCUMENT IS SUPPLIED IN CONFIDENCE. NO REPRODUCTION OF THIS DOCUMENT IN PART OR IN WHOLE OR THEREON OF THE ITEMS SHOWN MAY BE MADE WITHOUT THE COPYRIGHT OWNERS WRITTEN PERMISSION

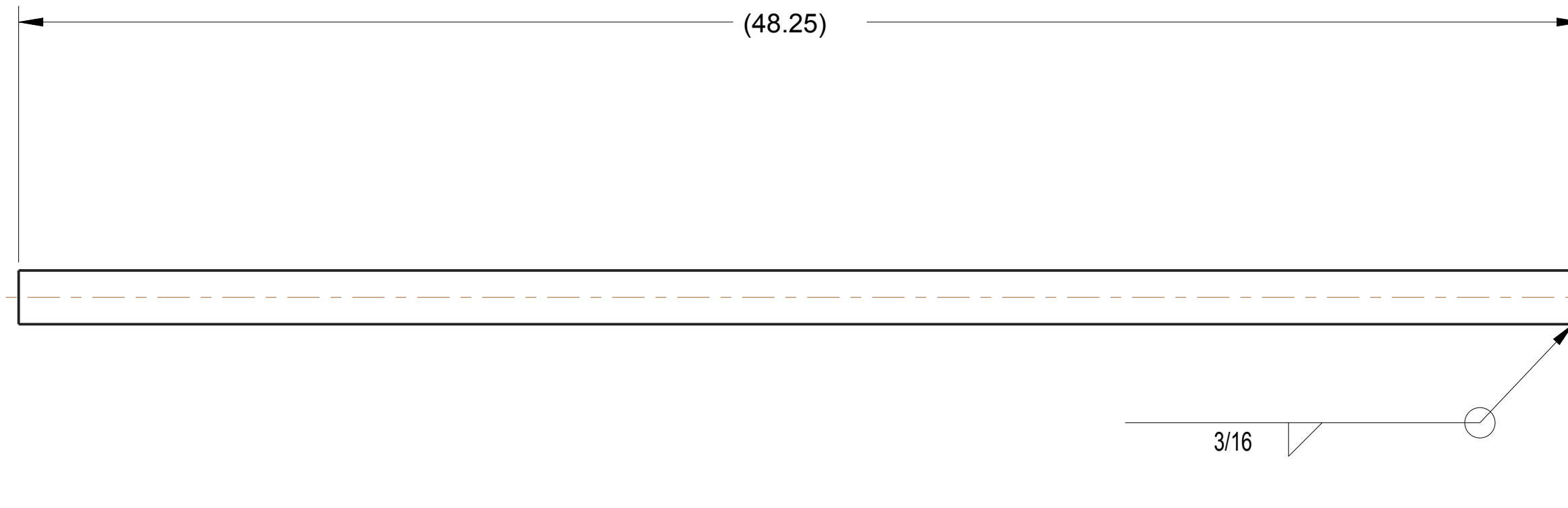
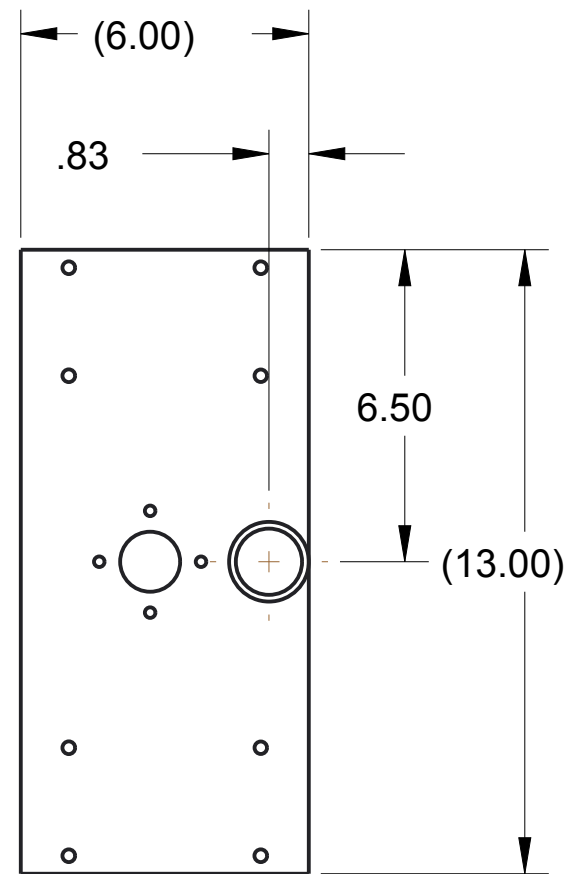
DRAWN BY	DATE
CHECKED BY	DATE
APPROVED BY	DATE
SCALE 1:8	SHEET 1 OF 1

TITLE Truss Baseplate		
PROJECT	MODEL NAME GE-14004	ISSUE

MODEL NAME GE-14008		TITLE Truss OB Pole		
Revision	Zone	Description	Date	Initials
A	C&D-3	Added Thru hole and B.C- moved 2.70 thru holes	12/5/13	MLC



SCALE 1:8



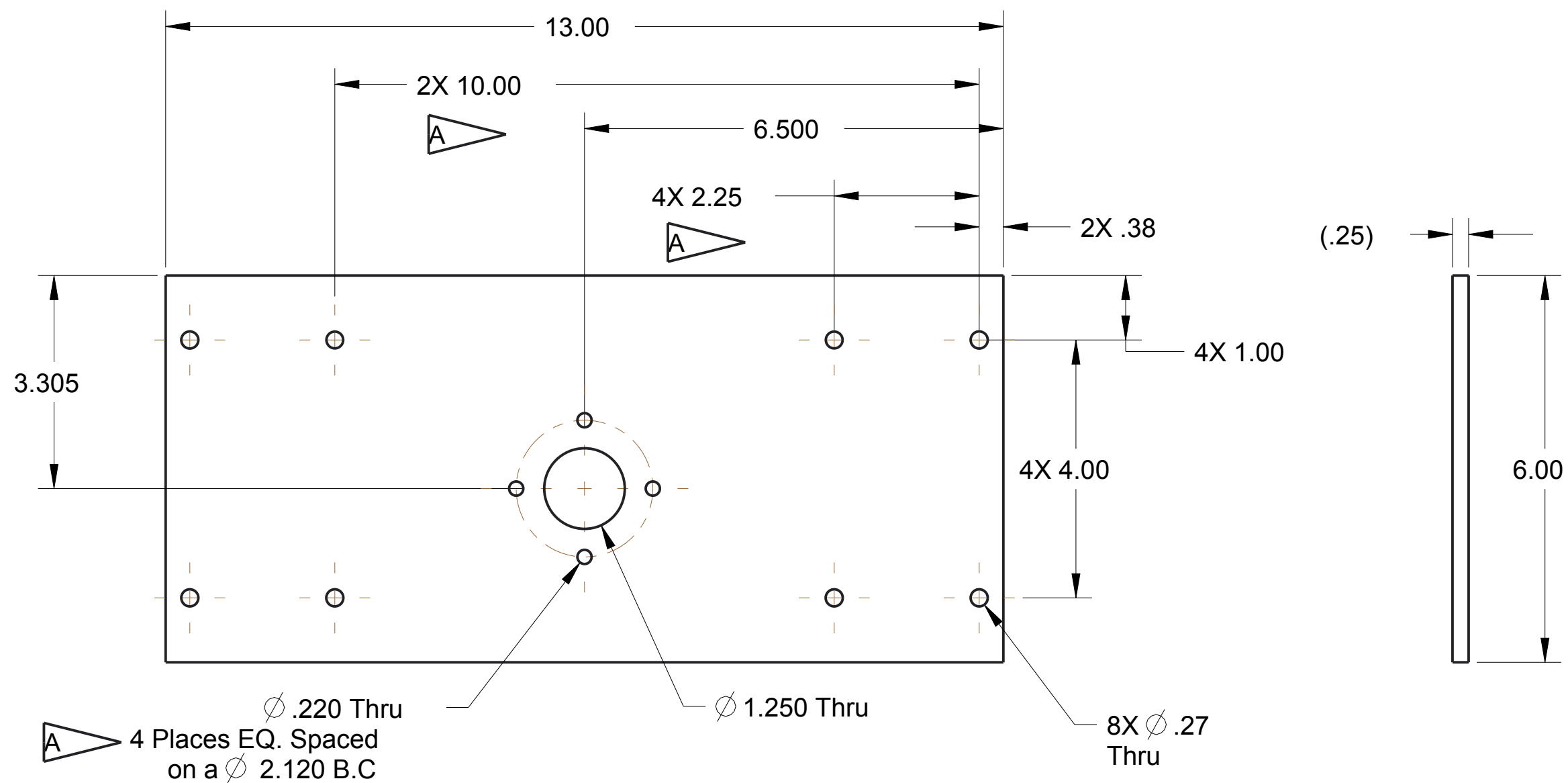
ITEM NO	PART NUMBER	QTY	DESCRIPTION	NOTES
1	GE-14008-1	1	Base	1/4" 6061 Aluminum Plate
2	GE-14008-2	1	Pole	1.25" Schedule 40 Pipe, 6061 Aluminum

	DRAWN BY	DATE
	CHECKED BY	DATE
<small>THIS DOCUMENT IS SUPPLIED IN CONFIDENCE. NO REPRODUCTION OF THIS DOCUMENT IN PART OR IN WHOLE OR THEREON OF THE ITEMS SHOWN MAY BE MADE WITHOUT THE COPYRIGHT OWNERS WRITTEN PERMISSION</small>	APPROVED BY	DATE
	SCALE 1:4	SHEET 1 OF 2
TITLE Truss OB Pole		
PROJECT	MODEL NAME GE-14008	ISSUE

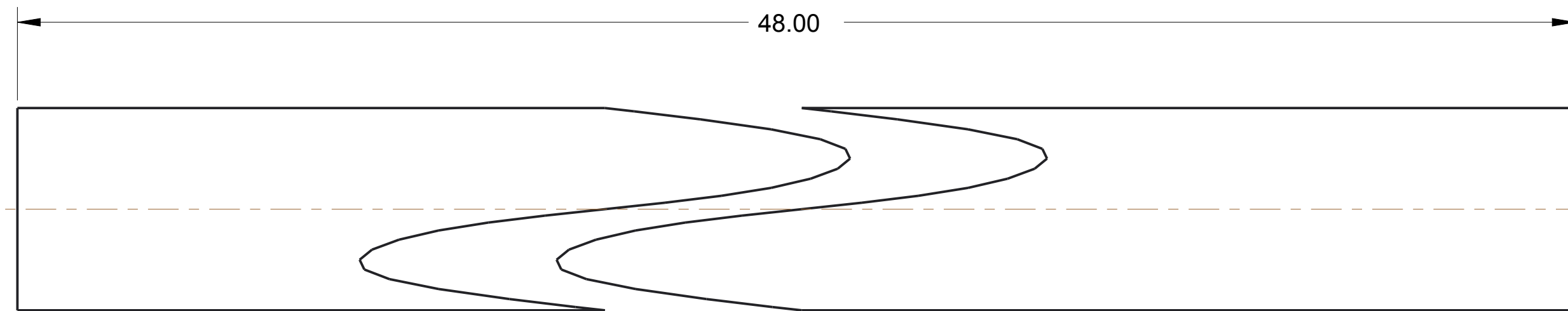
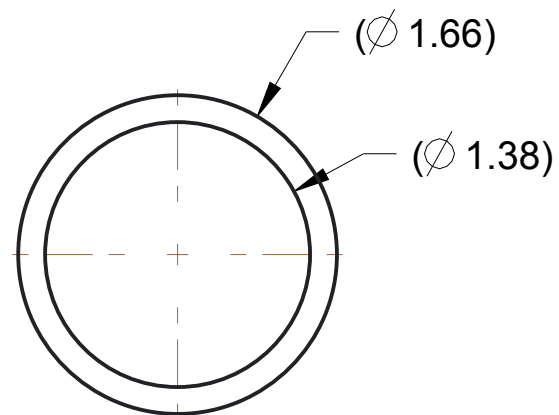
UNLESS OTHERWISE SPECIFIED ALL DIMENSIONS ARE IN INCHES.
 TOLERANCES ARE:
 .XX +/- 0.1
 .XXX +/- 0.01
 .XXXX +/- 0.001
 ANG +/- .1
DO NOT SCALE

MODEL NAME
GE-14008


TITLE
Truss OB Pole



Item: GE-14008-1, Base
 Material: 1/4" Plate, 6061 Aluminum
 Scale: 1/2
 Qty: 1



Item: GE-14008-2, Pole
 Material: 1.25" Schedule 40 Pipe, 6061 Aluminum
 Scale: 1/1
 Qty: 1

UNLESS OTHERWISE SPECIFIED ALL DIMENSIONS ARE IN INCHES. TOLERANCES ARE: X.X +/- 0.1 X.XX +/- 0.01 X.XXX +/- 0.001 ANG +/- .1	 <small>THIS DOCUMENT IS SUPPLIED IN CONFIDENCE. NO REPRODUCTION OF THIS DOCUMENT IN PART OR IN WHOLE OR THEREON OF THE ITEMS SHOWN MAY BE MADE WITHOUT THE COPYRIGHT OWNERS WRITTEN PERMISSION</small>	DRAWN BY	DATE
		CHECKED BY	DATE
		APPROVED BY	DATE
TITLE Truss OB Pole		SCALE 1:4	SHEET 2 OF 2
DO NOT SCALE	PROJECT	MODEL NAME GE-14008	ISSUE