

MODEL NAME  
GE-14063

TITLE

Pedestal

1

2

3

4

D

D

C

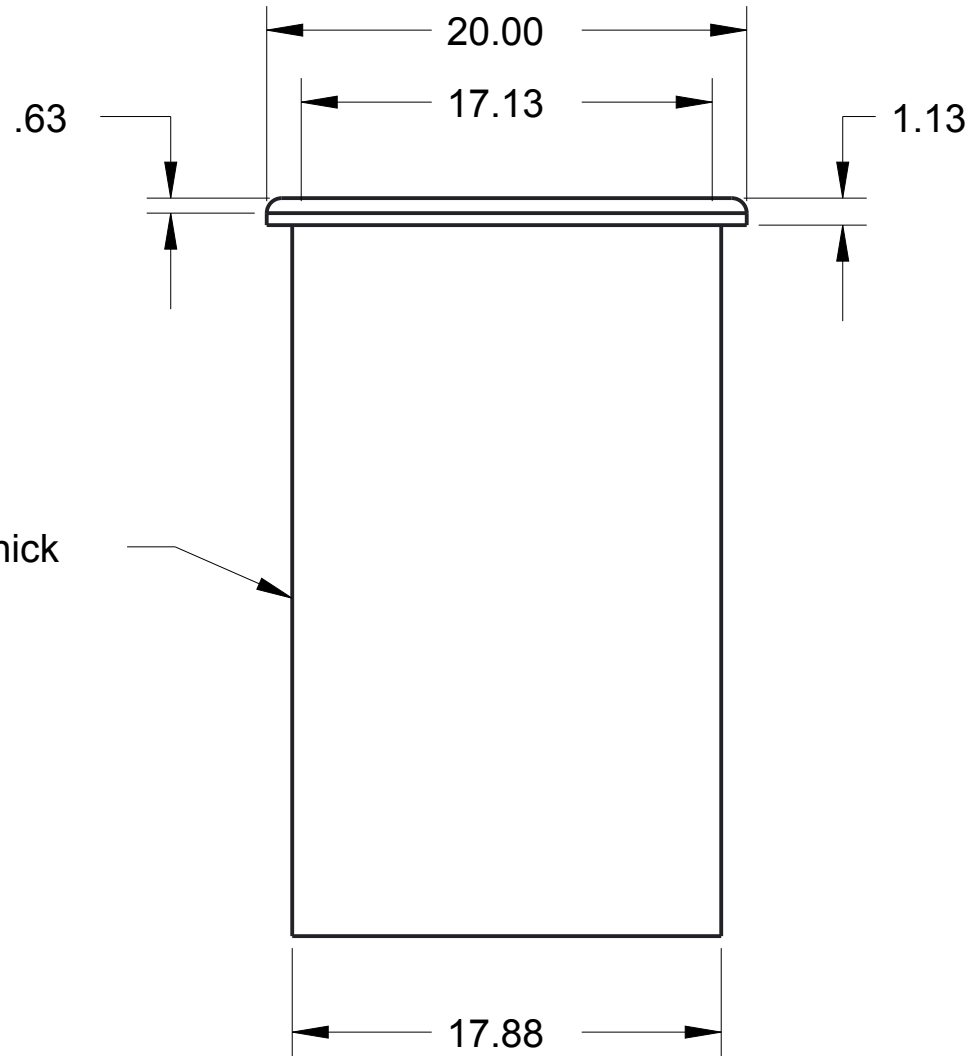
C

B

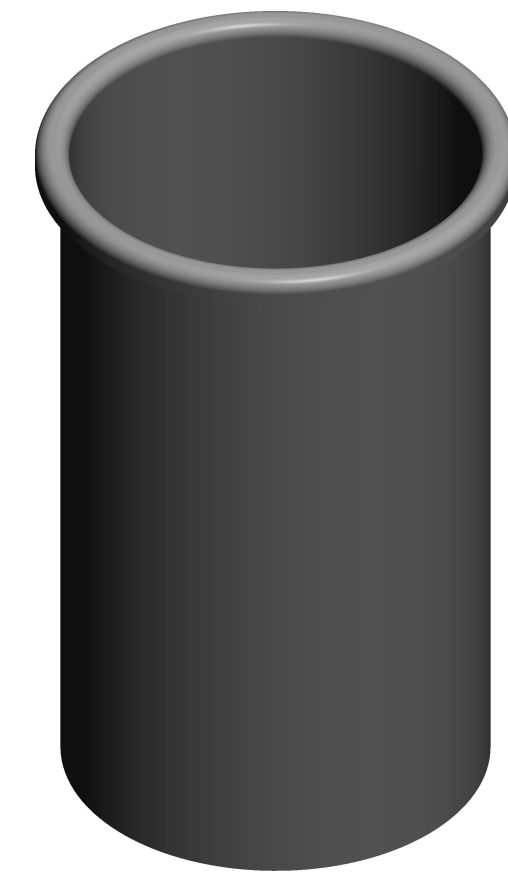
B

A

A



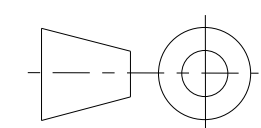
SCALE 1:8



SCALE 1:8

Item: Pedestal  
Material: Polyethylene

Note:  
Item No. US Plastics PN: 4031  
Description: Tamco 30 Gallon Polyethylene Tank



UNLESS OTHERWISE SPECIFIED ALL DIMENSIONS ARE IN INCHES.  
TOLERANCES ARE:  
X.X +/- 0.1  
X.XX +/- 0.01  
X.XXX +/- 0.001  
ANG +/- 1°

DO NOT SCALE



THIS DOCUMENT IS SUPPLIED IN CONFIDENCE. NO REPRODUCTION OF THIS DOCUMENT IN PART OR IN WHOLE OR THEREON OF THE ITEMS SHOWN MAY BE MADE WITHOUT THE COPYRIGHT OWNERS WRITTEN PERMISSION

DRAWN BY	DATE
CHECKED BY	DATE
APPROVED BY	DATE
SCALE 1:12	SHEET 1 OF 1

TITLE Pedestal	
PROJECT	MODEL NAME GE-14063
ISSUE	