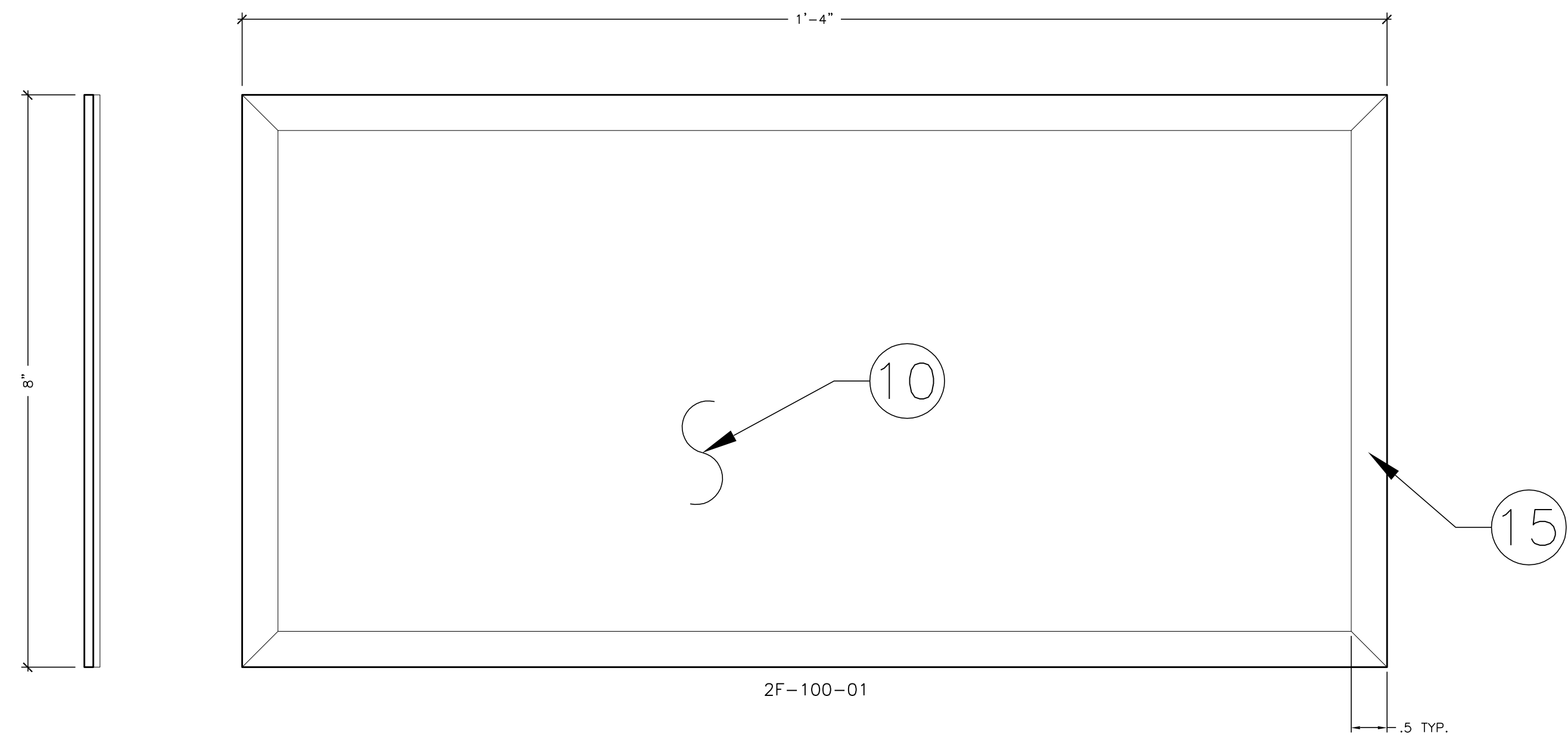
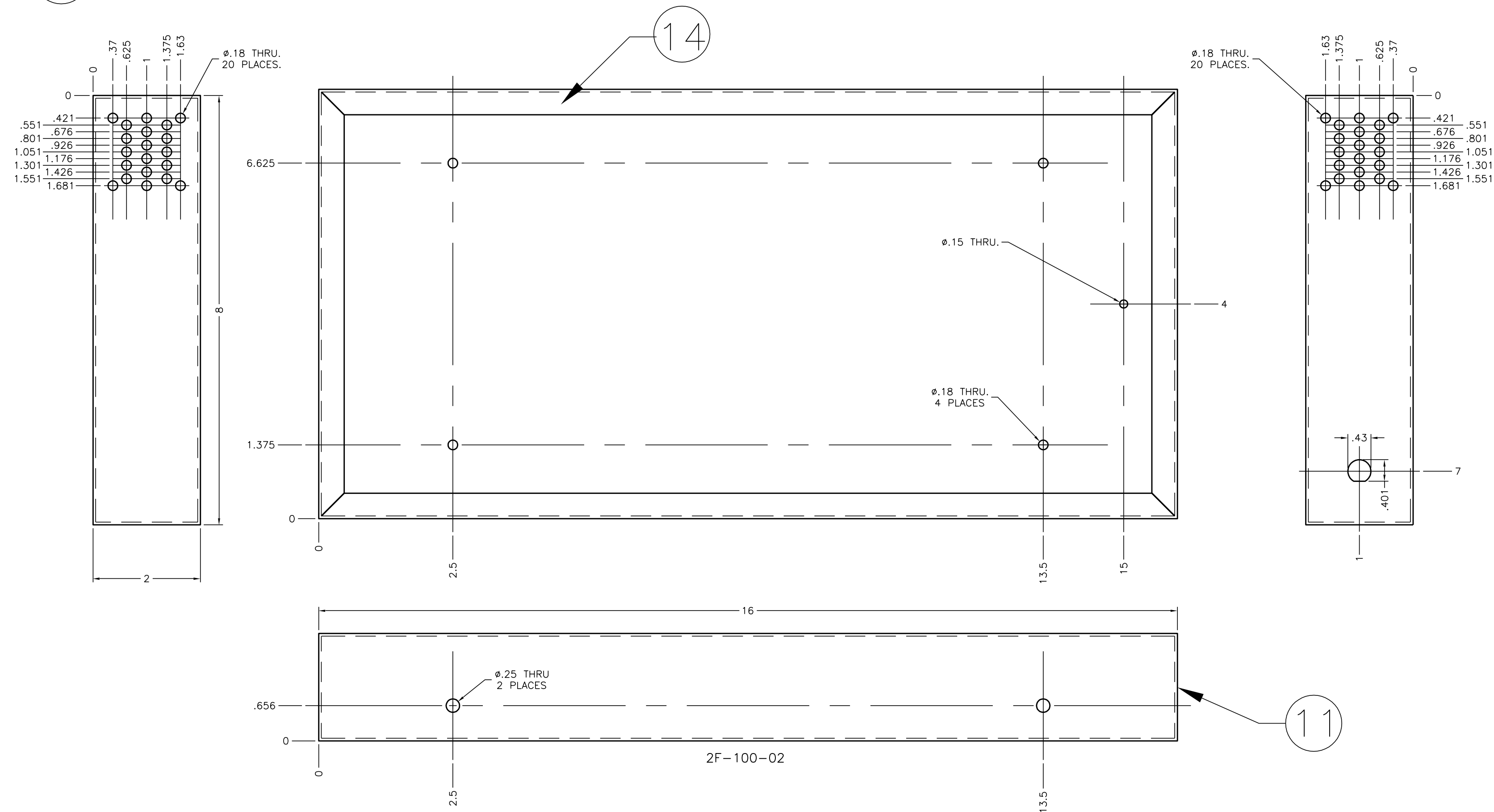


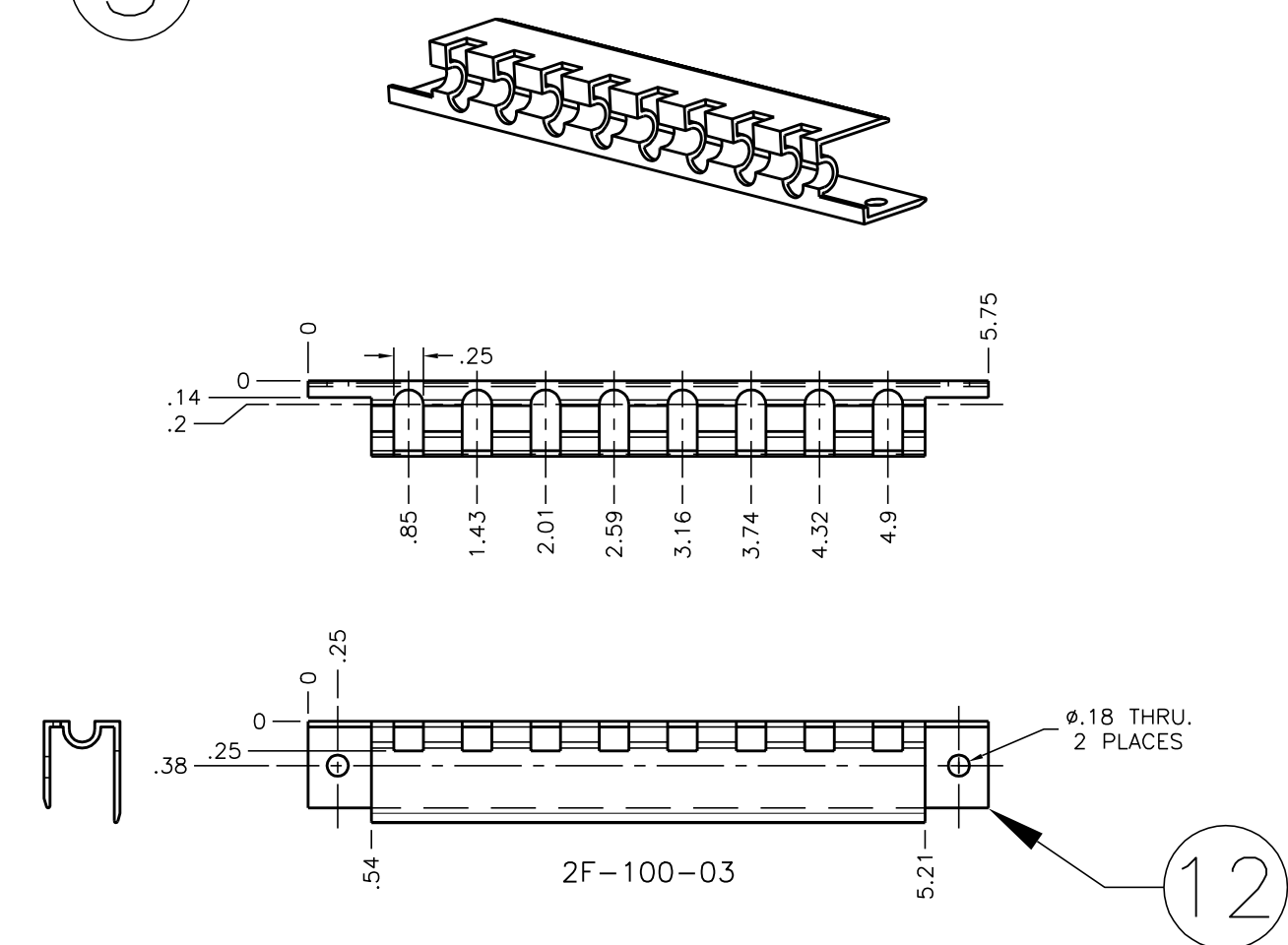
1



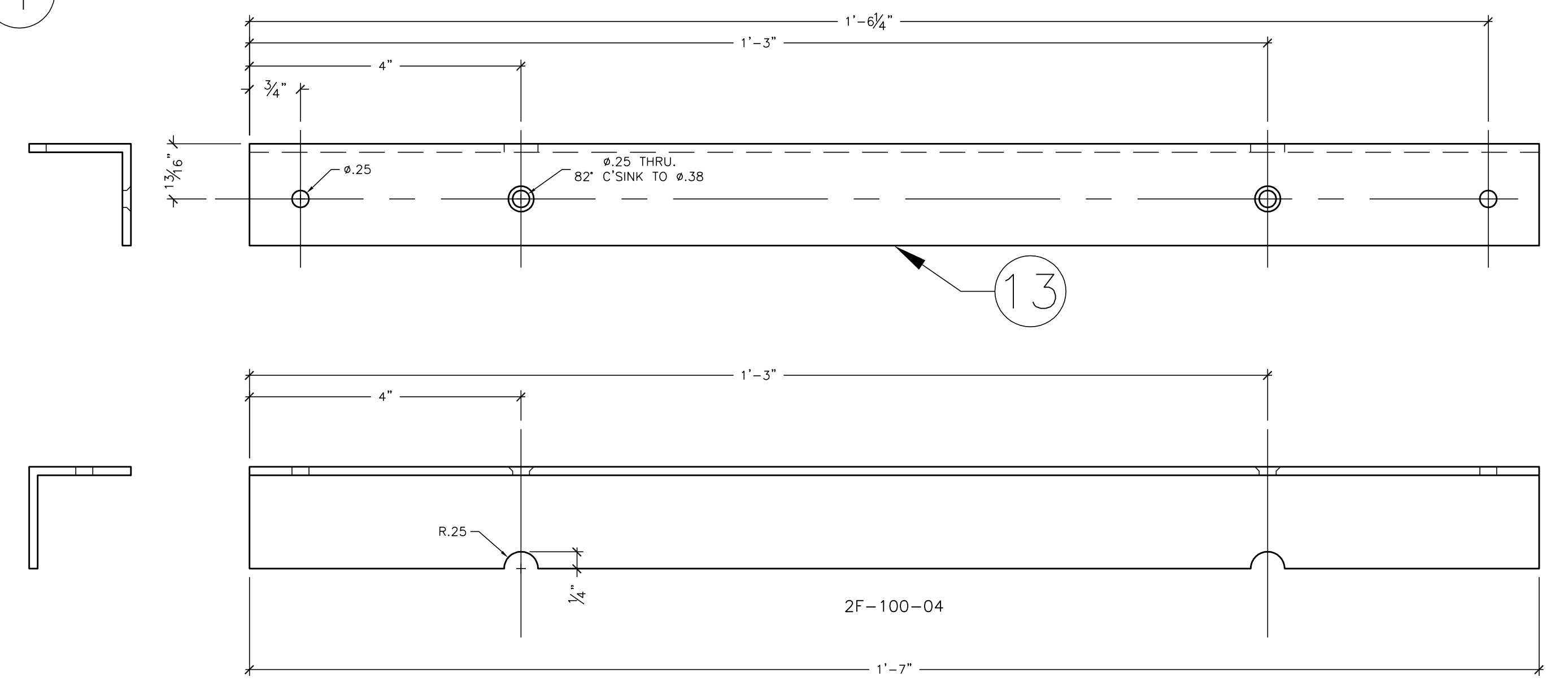
2



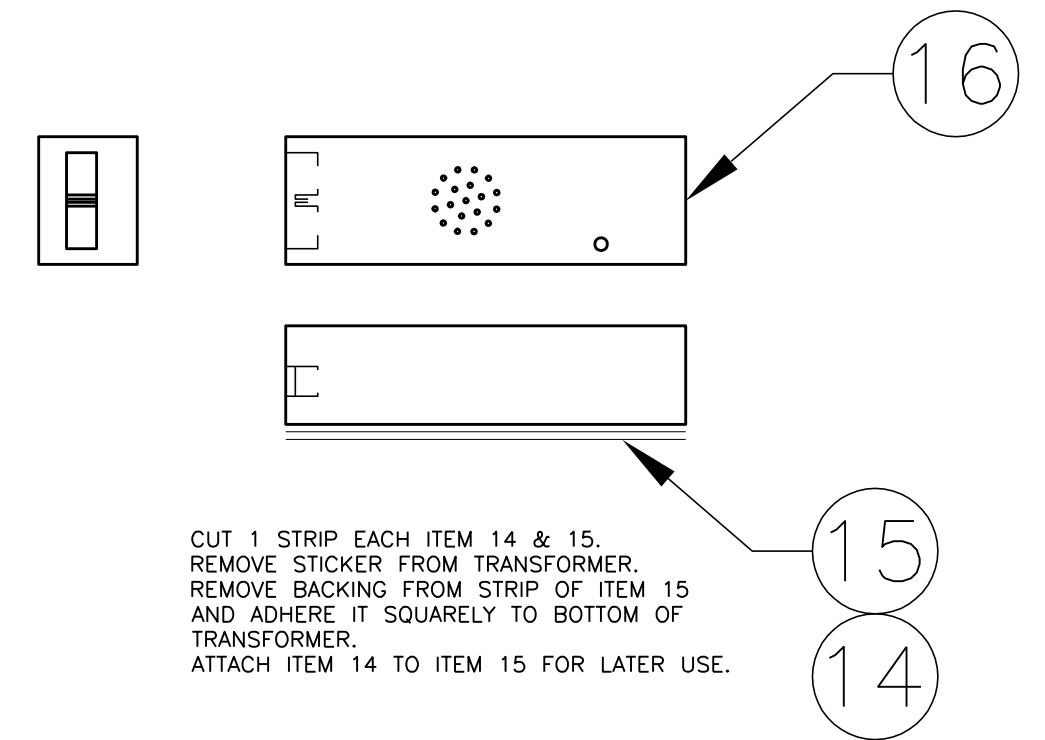
3



4



5



REVISIONS				
ZONE	REV	DESCRIPTION	DATE	APPROVED

ITEM	QTY.	DESCRIPTION	LENGTH	PART NO.
10	AR	1/8" HDPE SHEET, NATURAL	.	-
11	AR	ALUM CHASSIS 8"x16"x2", (HAMMOND)	.	1444-26
12	AR	ALUMINUM EXTRUSION, (TCH)	.	507-3035806
13	AR	ALUMINUM ANGLE, 1 1/2"x1 1/2"x1/8"	.	-
14	AR	1" VELCRO, HOOK	.	-
15	AR	1" VELCRO, LOOP	.	-
16	4	CCFL TRANSFORMER	.	-

FIRST
200 Bedford Street, Manchester, N H. 03101
(603) 666-3906 ♦ FAX (603) 666-3907

REV	FROM	BY	DATE	TITLE	MATERIAL
				2006 VISION TARGET FABRICATION	AS NOTED
UNLESS OTHERWISE SPECIFIED				DRAWN BY	DATE
TOLERANCE PERPENDICULAR WITHIN				JRR	12/09/05
INCHES PARALLEL				SCALE	CHECKED
FRAC 1/2 1/32				NA	DATE
.00 1/2 .02				SIZE	DATE
.000 1/2 .015				D	12/09/05
.0000 1/2 .010				No. 2F-202	SHEET NO.
FSCM				1 of 2	

CUT 1 STRIP EACH ITEM 14 & 15.
REMOVE STICKER FROM TRANSFORMER.
REMOVE BACKING FROM STRIP OF ITEM 15
AND ADHERE IT SQUARELY TO BOTTOM OF
TRANSFORMER.
ATTACH ITEM 14 TO ITEM 15 FOR LATER USE.