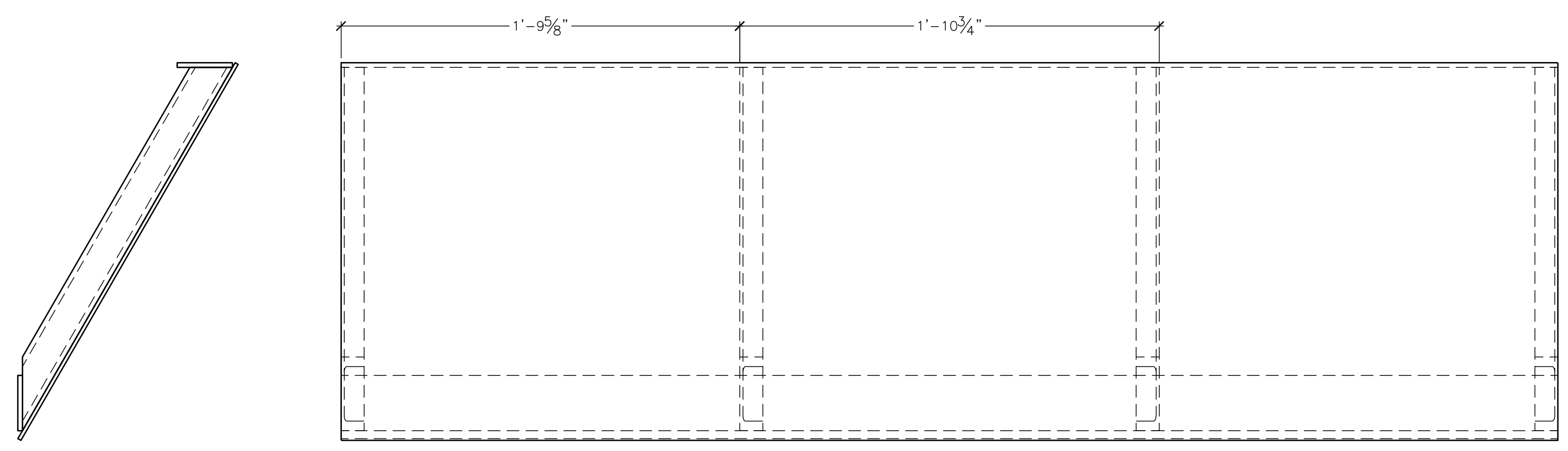
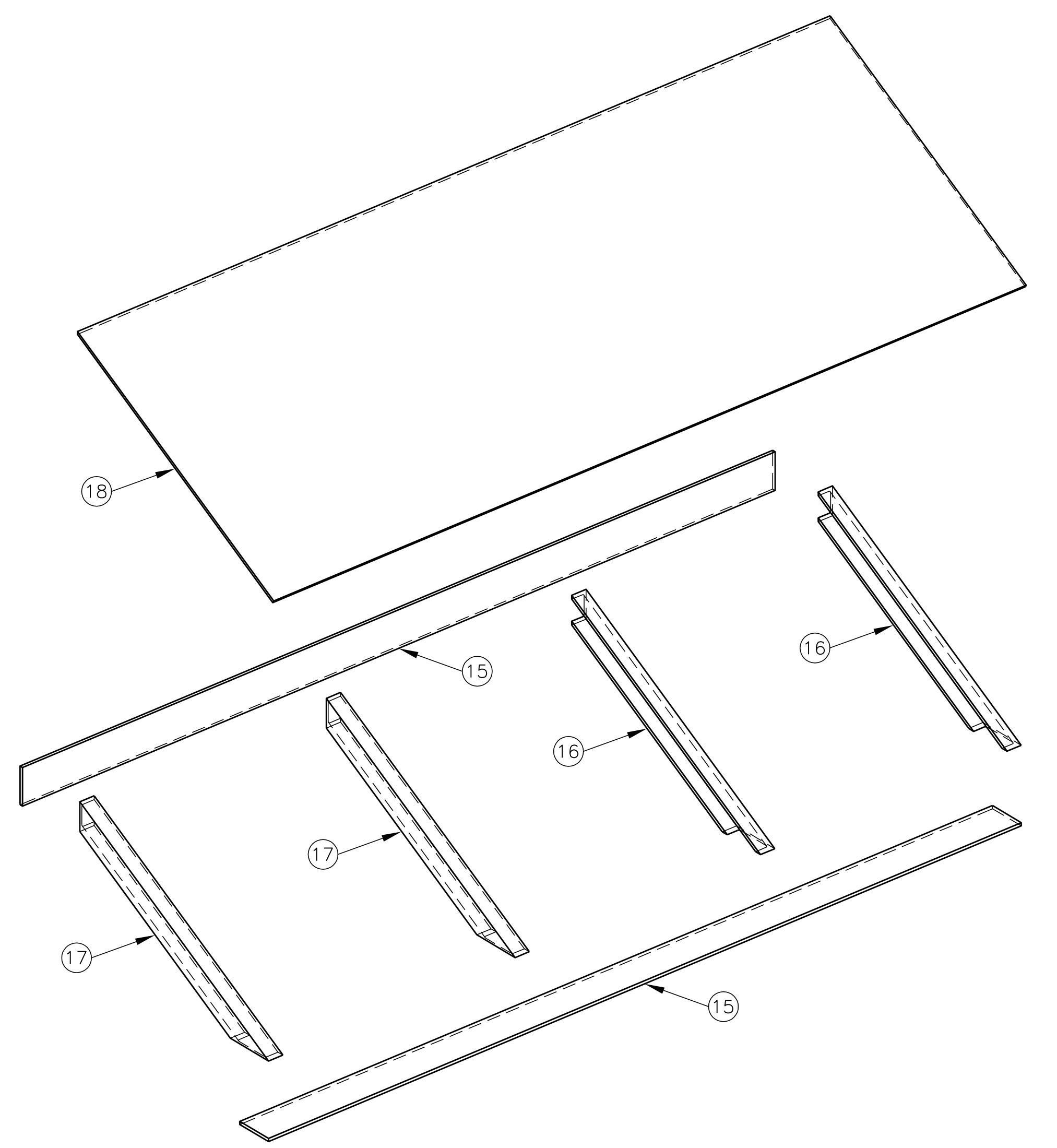
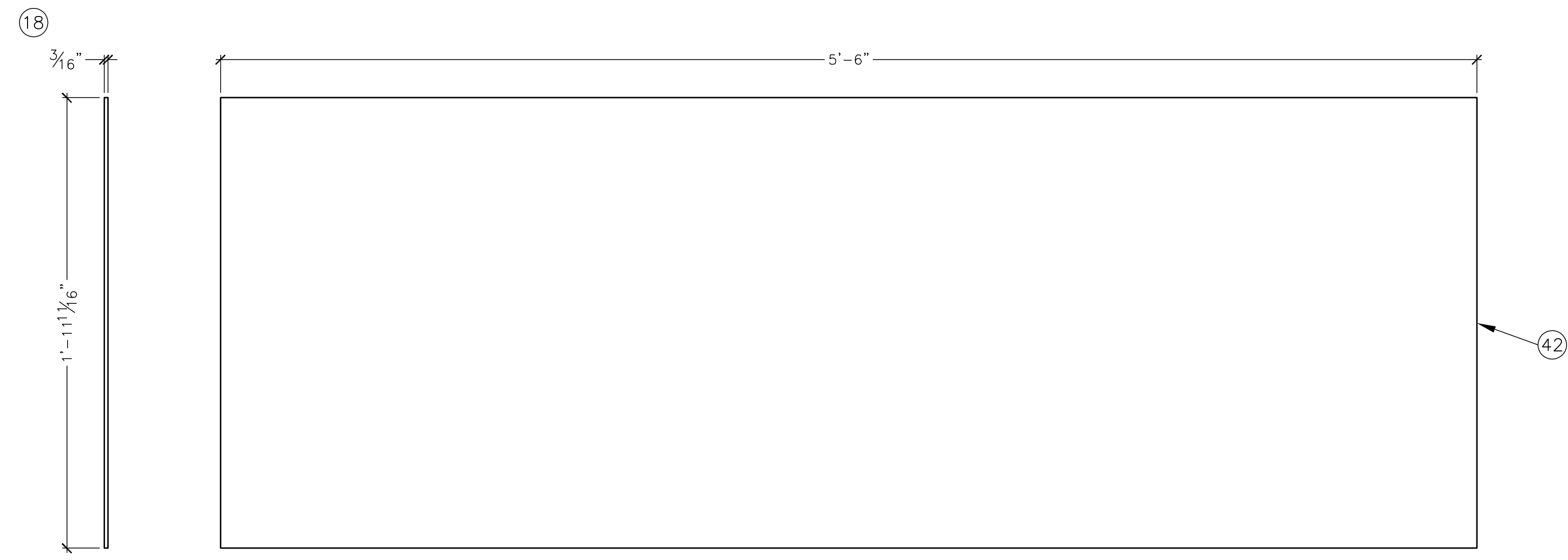
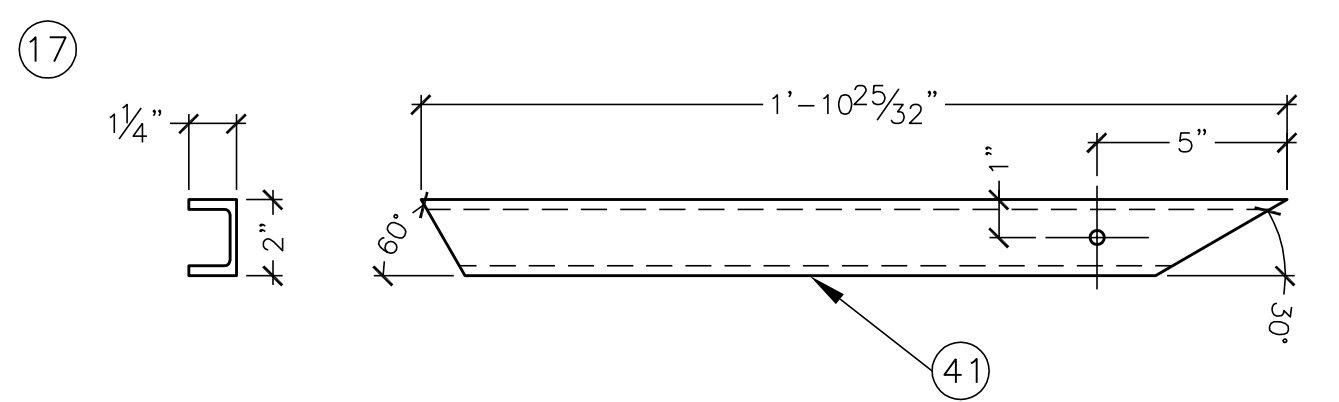
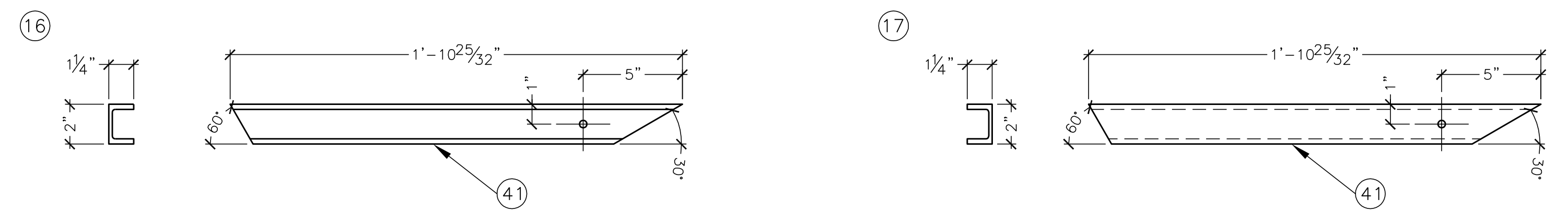
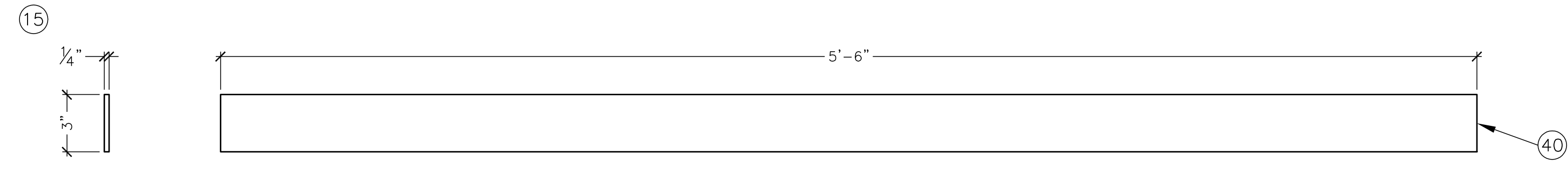


REVISIONS				
ZONE	REV	DESCRIPTION	DATE	APPROVED

ITEM	QTY.	DESCRIPTION	LENGTH	PART NO.
15	2	SUPPORT PLATE	.	2F-404-01
16	2	SUPPORT, RIGHT SIDE	.	2F-404-02
17	2	SUPPORT, LEFT SIDE	.	2F-404-03
18	1	RAMP PLATE	.	2F-404-04
40	AR	3"x $\frac{1}{4}$ " 6061 ALUMINUM	.	
41	AR	2"x $1\frac{1}{4}$ " ALUMINUM 'U' CHANNEL	.	
42	AR	$\frac{3}{16}$ " ALUMINUM DIAMOND PLATE	.	
.	.	.	.	
.	.	.	.	



1 PER MARK-UPS		JR	1/5	TITLE		MATERIAL	
REV	FROM	BY	DATE	2006 PLATFORM		AS NOTED	
UNLESS OTHERWISE SPECIFIED				FABRICATION AND ASSEMBLY			
TOLERANCE		PERPENDICULAR WITHIN		DRAWN BY	DATE	SCALE	CHECKED
INCHES		PARALLEL		JRR	12/01/05	NONE	
FRAC	1/32	FLAT OR STRAIGHT		SIZE	D		NO. 2F-401
.00	1/2	CONCENTRIC T.I.R.		SHEET NO.		4 of 4	
.00	1/2	RADI		DATE		DATE	
.000	1/2	HOLES		SCALE		CHECKED	
.0000	1/2	FSCM		DATE		DATE	