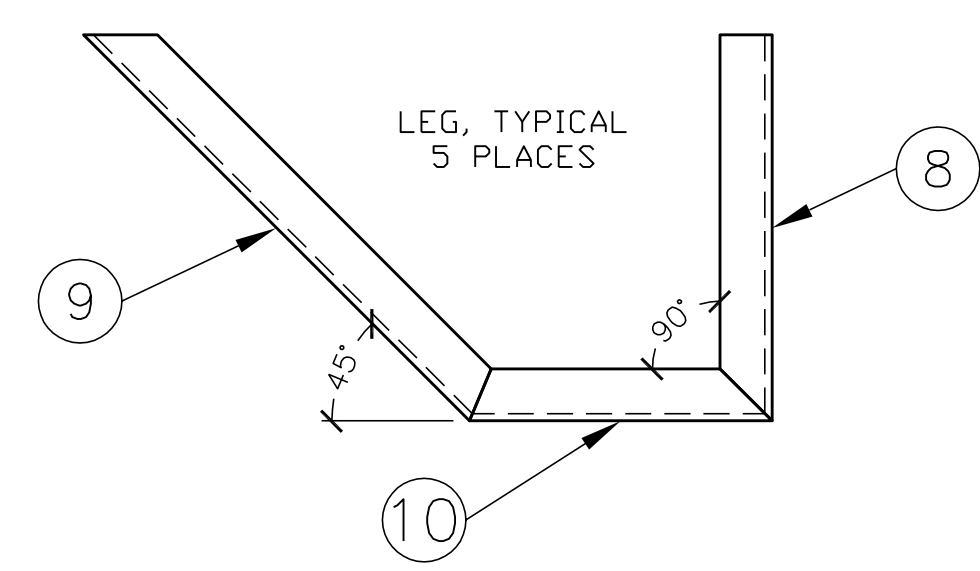
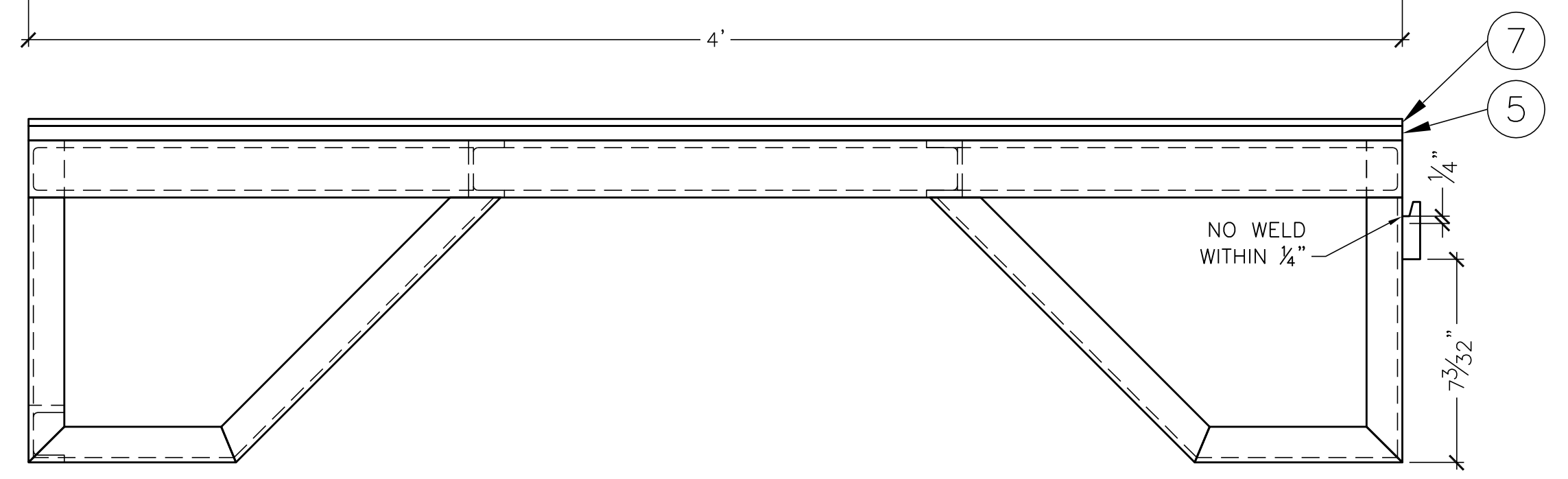
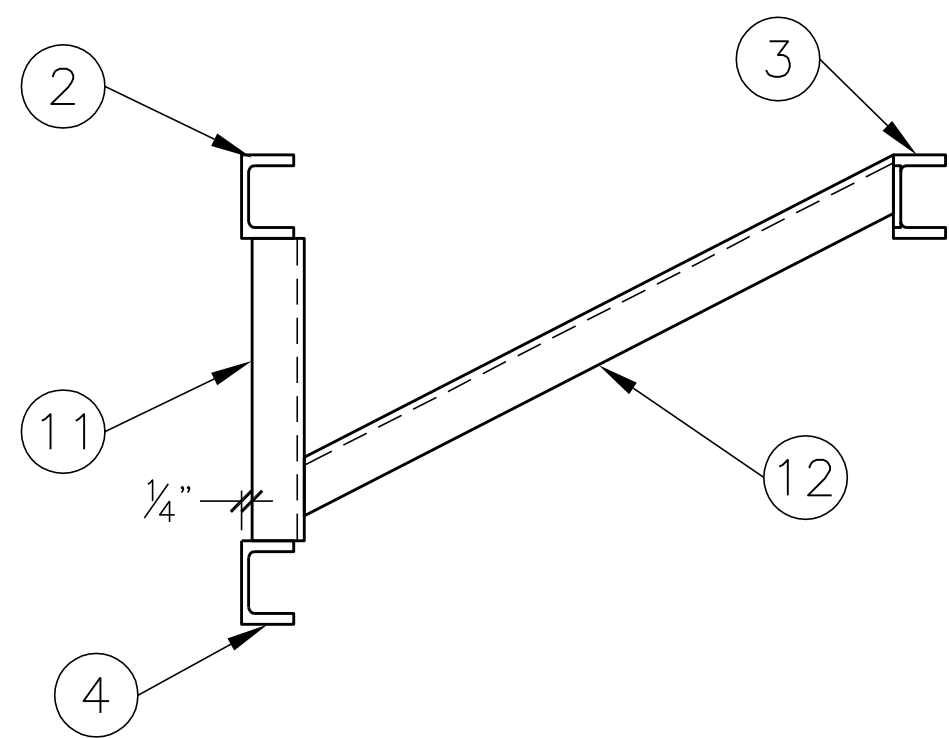
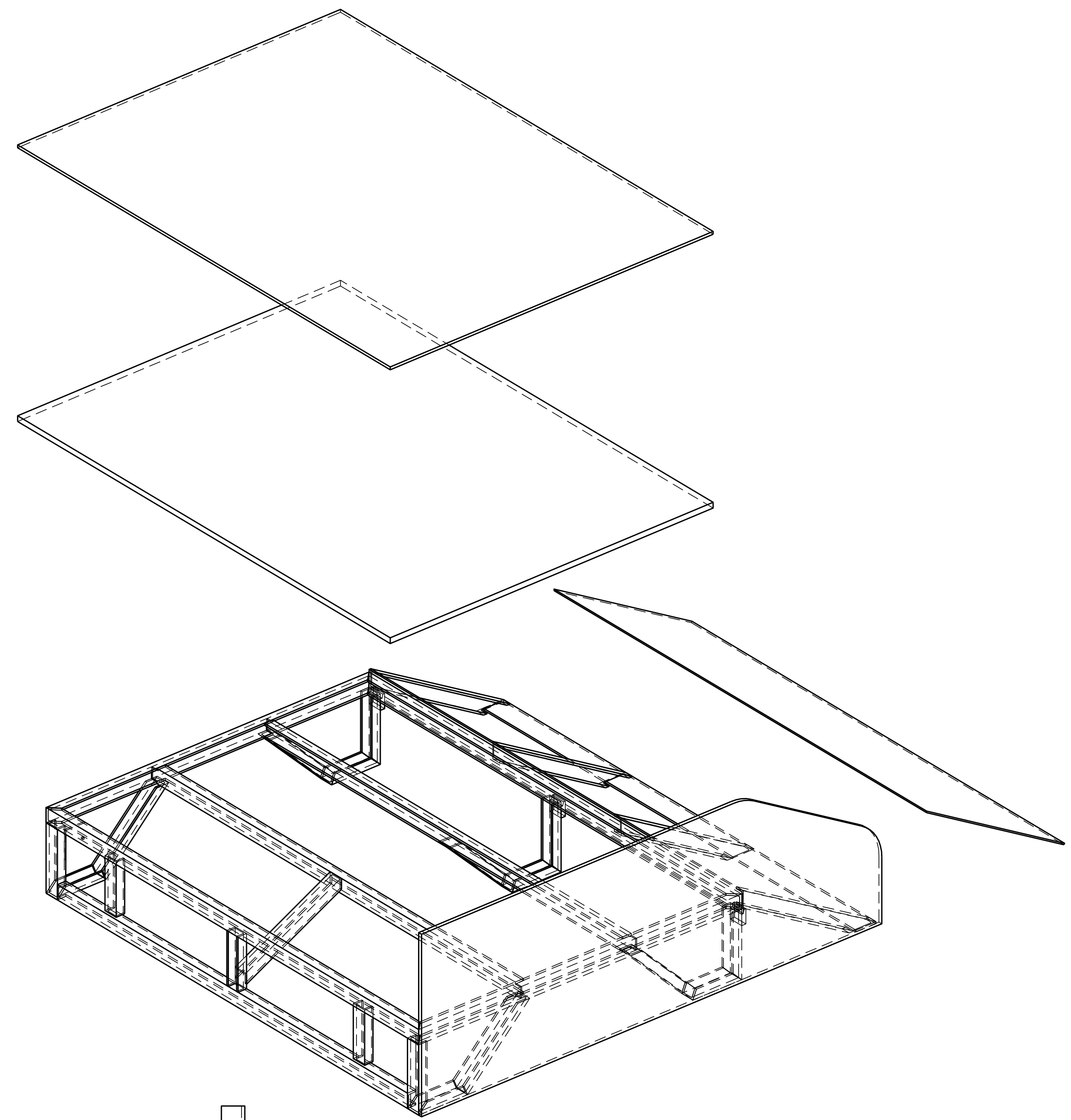
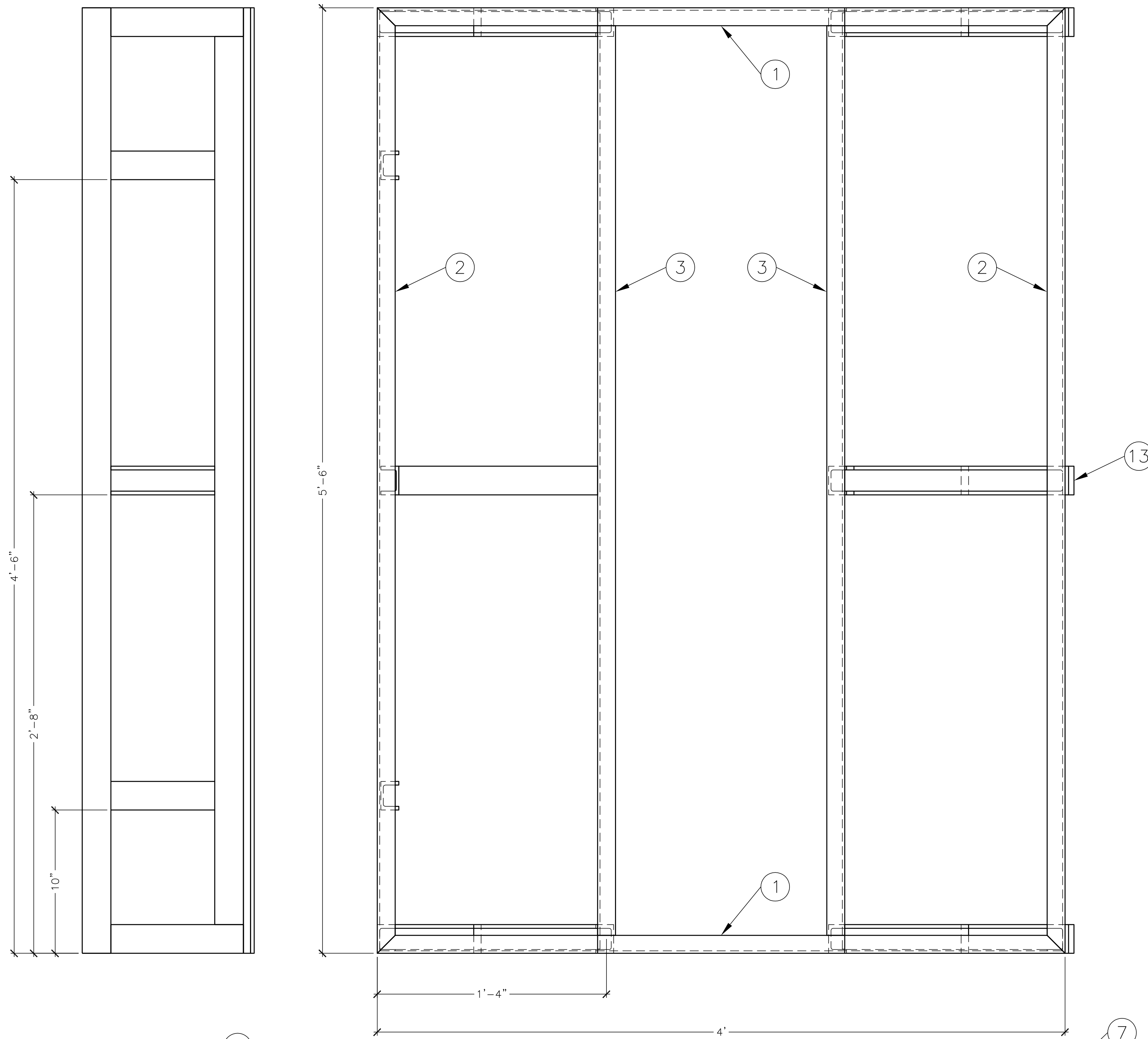


		REVISIONS		
ZONE	REV	DESCRIPTION	DATE	APPROVED

ITEM	QTY.	DESCRIPTION	LENGTH	PART NO.
1	1	3/16" ALUMINUM DIAMOND PLATE	.	-
2	1	HINGE, ALUMINUM 3"x.09", 1/4" PIN	.	-
3	1	1 3/4"x1 3/4"x1/8" 6061 ALUMINUM TUBING	.	-
4	1	3/4"x3/4"x1/8" ALUMINUM 'U' CHANNEL	.	-
5	1	1/4" 6061 ALUMINUM PLATE	.	-
6	1	1/8" 6061 ALUMINUM PLATE	.	-
.	.	.	.	-



1 PER MARK-UPS		JR	1/5		
REV	FROM	BY	DATE		
UNLESS OTHERWISE SPECIFIED				TITLE	
TOLERANCE PERPENDICULAR WITHIN				2006 PLATFORM	
INCHES PARALLEL				FABRICATION AND ASSEMBLY	
FRAC	1/32	FLAT OR STRAIGHT		MATERIAL AS NOTED	
.00	.02	CONCENTRIC T.I.R.			
.000	.015	RADII	1/2	SURFACE FINISH	
.0000	.010	HOLES	1/2		
		FSCM			
DRAWN BY		DATE	SCALE	CHECKED	DATE
JRR		11/30/05	NONE		
SIZE		D		No. 2F-401	
					SHEET NO. 3 of 4

FIRST

200 Bedford Street, Manchester, N.H. 03101
(603) 666-3906 ♦ FAX (603) 666-3907