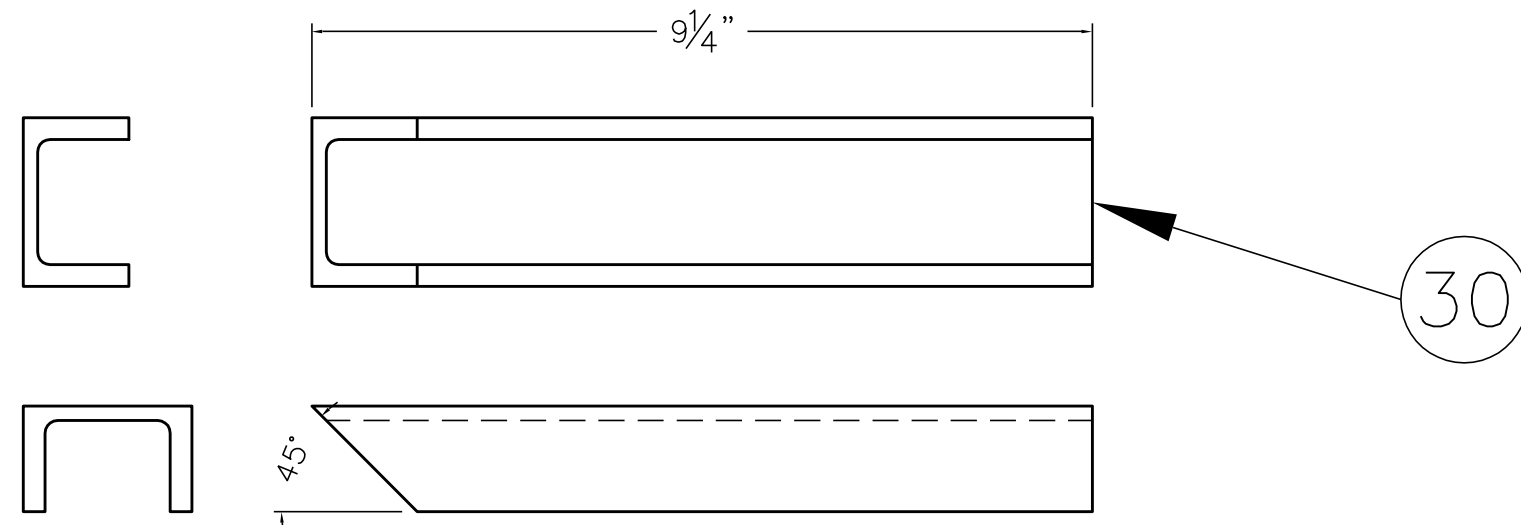
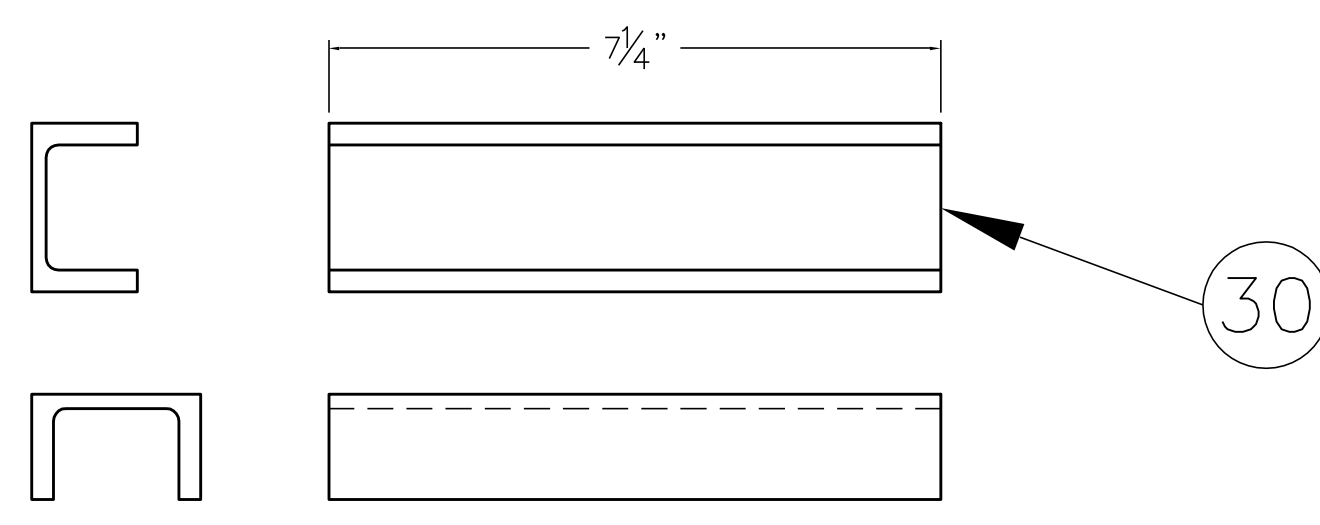


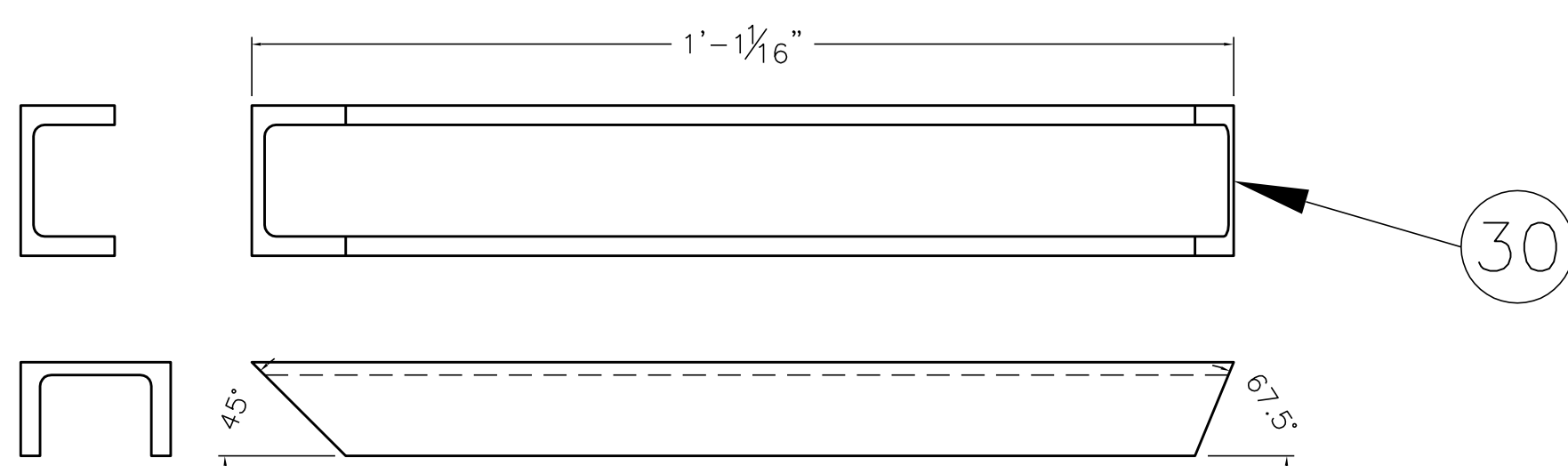
8



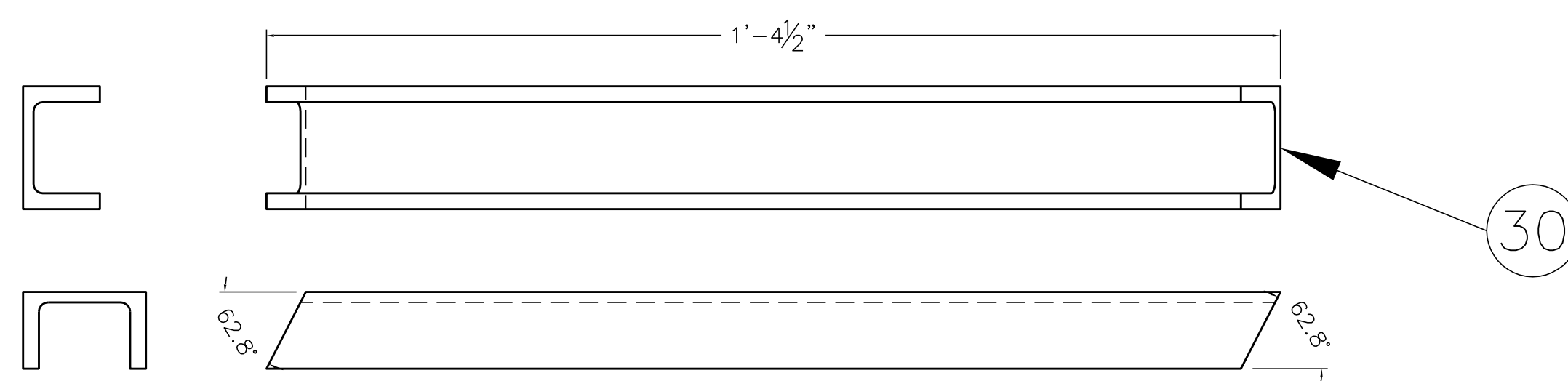
11



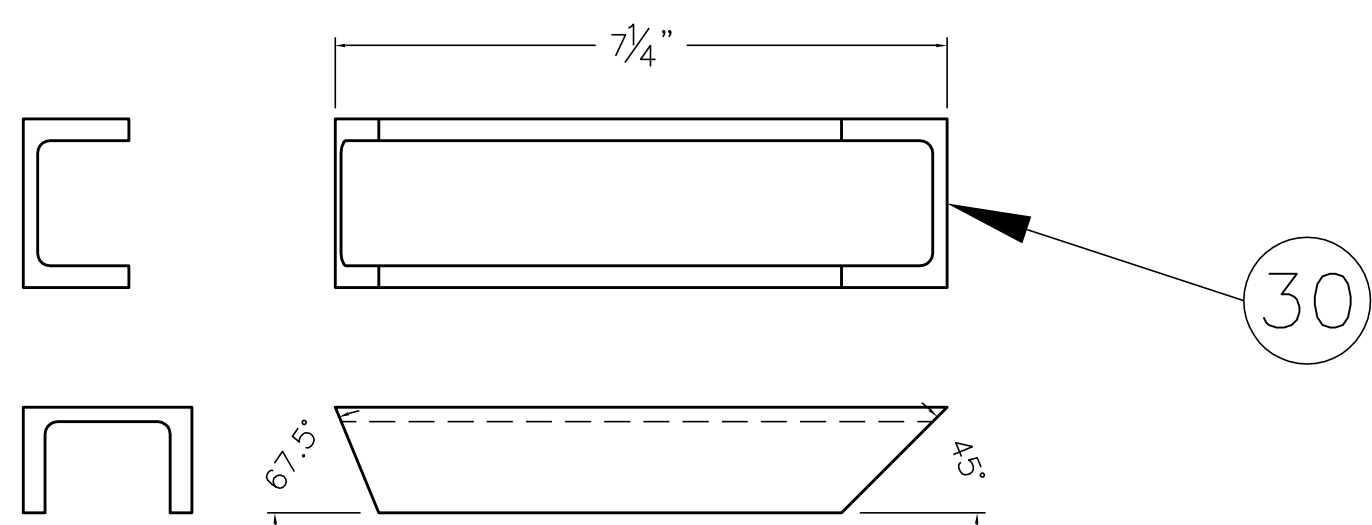
9



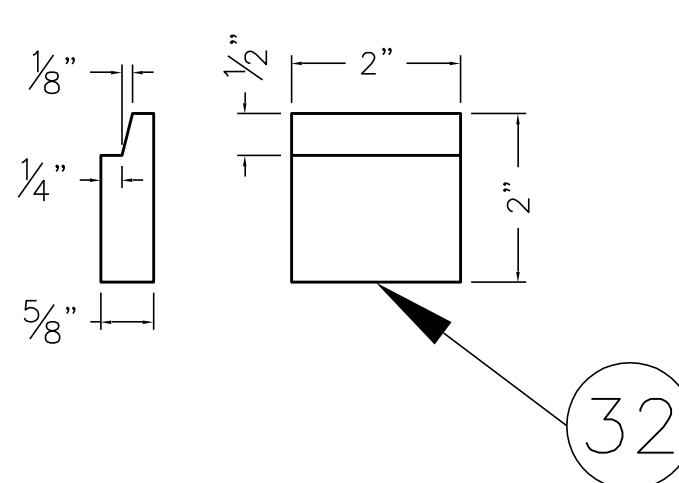
12



10



13



REVISIONS				
ZONE	REV	DESCRIPTION	DATE	APPROVED

ITEM	QTY.	DESCRIPTION	LENGTH	PART NO.
8	5	LEG, VERTICAL MEMBER	.	2F-401-8
9	5	LEG, DIAGONAL MEMBER	.	2F-401-9
10	5	LEG, BASE MEMBER	.	2F-401-10
11	3	FRAME, SUPPORT	.	2F-401-11
12	1	DIAGONAL SUPPORT	.	2F-401-12
13	3	RAMP MOUNT	.	2F-401-13
30	AR	2"x1 1/4" 'U' CHANNEL, 6063 ALUM.	.	-
31	AR	1/4" ALUMINUM PLATE, 6063	.	-
32	AR	2"x5/8" 6063 ALUMINUM	.	-

1 PER MARK-UPS		JR	1/5	TITLE		MATERIAL	
REV	FROM	BY	DATE	2006 PLATFORM		AS NOTED	
UNLESS OTHERWISE SPECIFIED				2006 PLATFORM			
TOLERANCE PERPENDICULAR WITHIN				FABRICATION AND ASSEMBLY			
INCHES PARALLEL				DRAWN BY		DATE	
FRAC 1/32 FLAT OR STRAIGHT				JRR		11/30/05	
CONCENTRIC T.I.R.				SCALE		CHECKED	
.00 1/2 RADI 1/4 SURFACE FINISH				NONE		DATE	
.000 1/2 HOLES 1/4				SIZE		SHEET NO.	
.0000 1/2 FSCM				D		2 of 4	

FIRST

200 Bedford Street, Manchester, N.H. 03101
(603) 666-3906 ♦ FAX (603) 666-3907

2006 PLATFORM
FABRICATION AND ASSEMBLY

DRAWN BY: JRR DATE: 11/30/05 SCALE: NONE CHECKED: DATE:

SIZE: D No. 2F-401 SHEET NO. 2 of 4