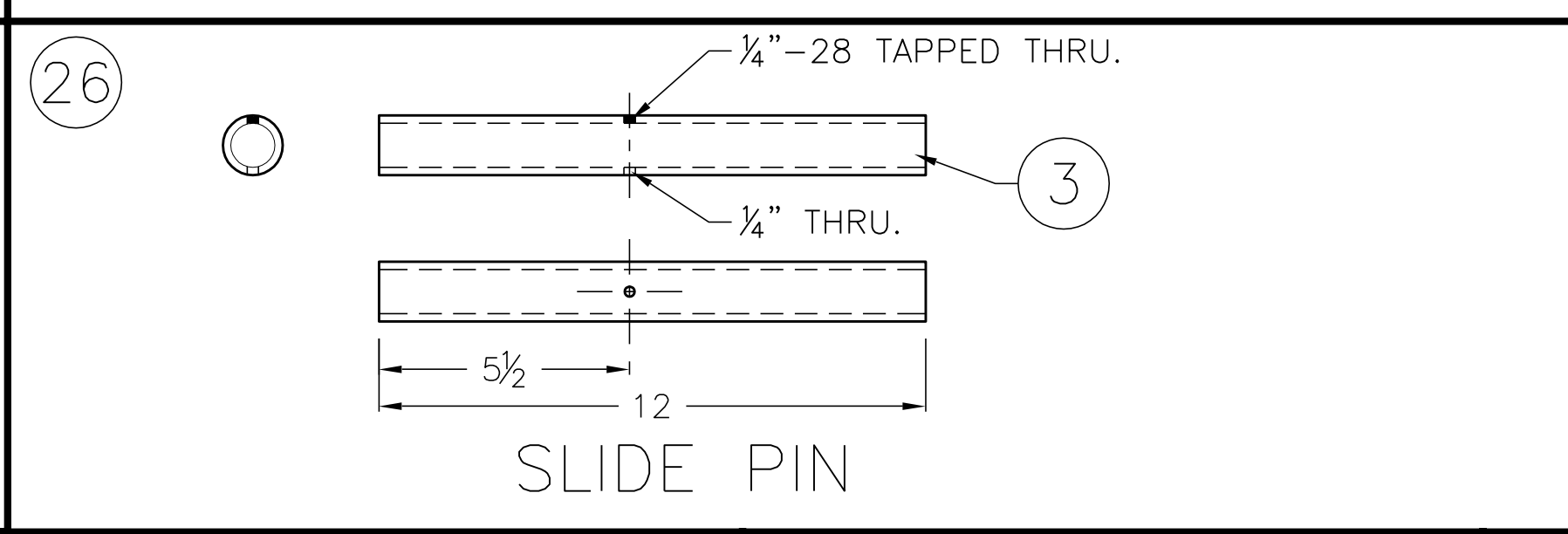
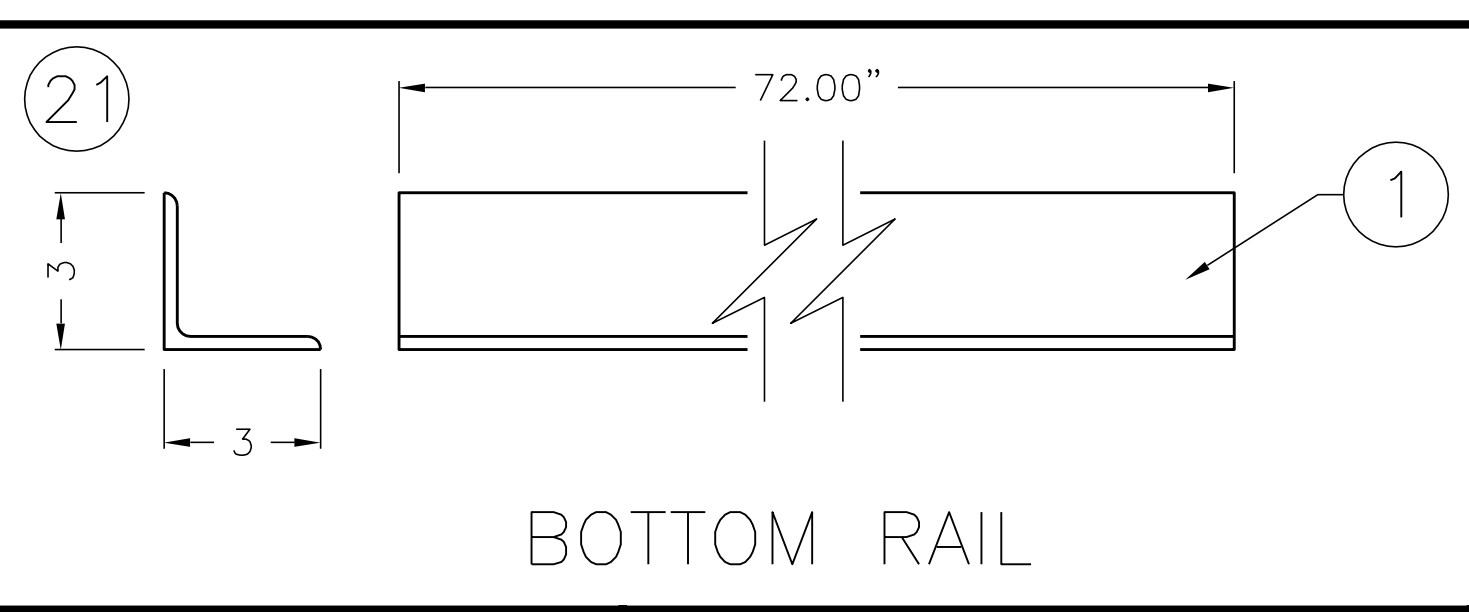
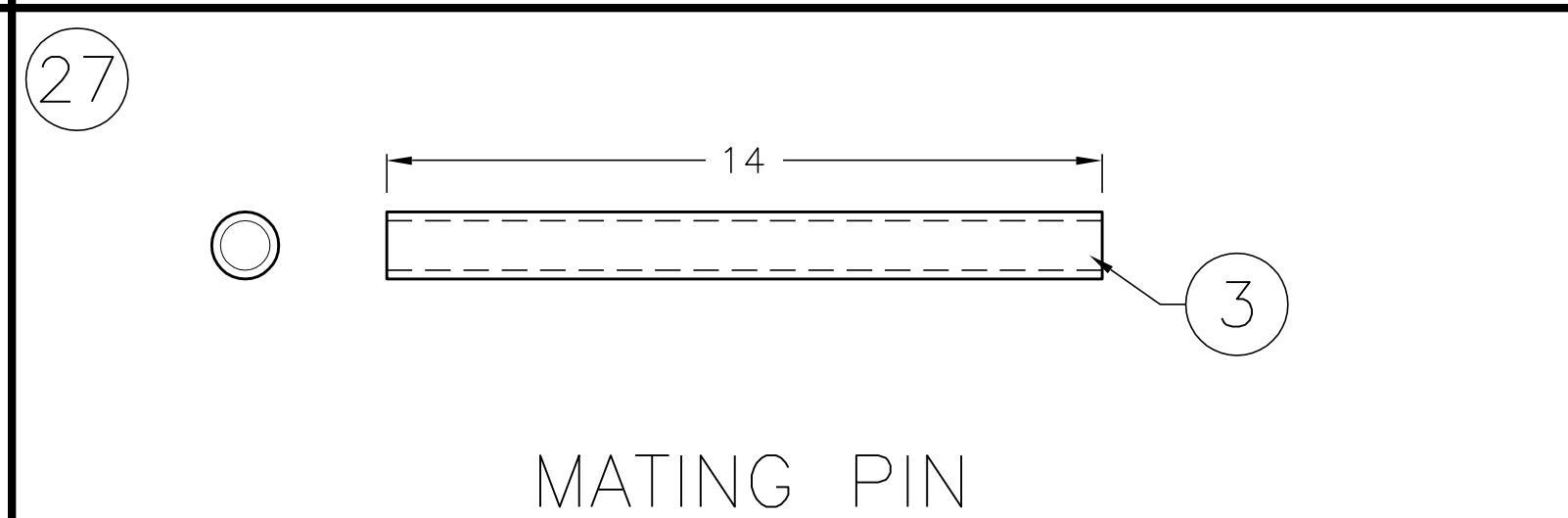
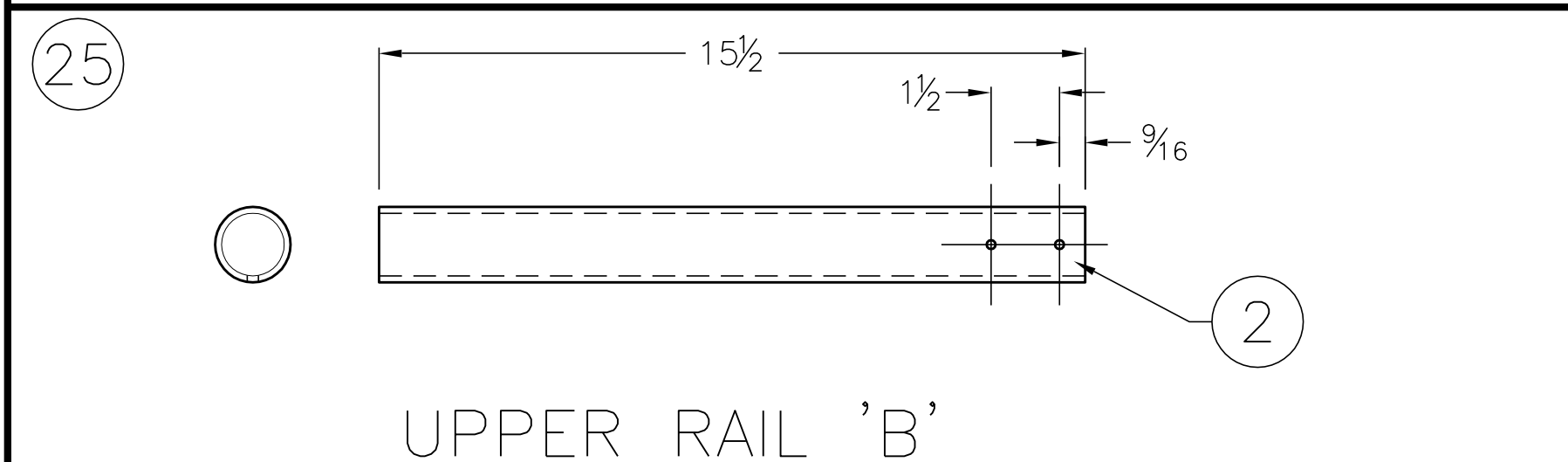
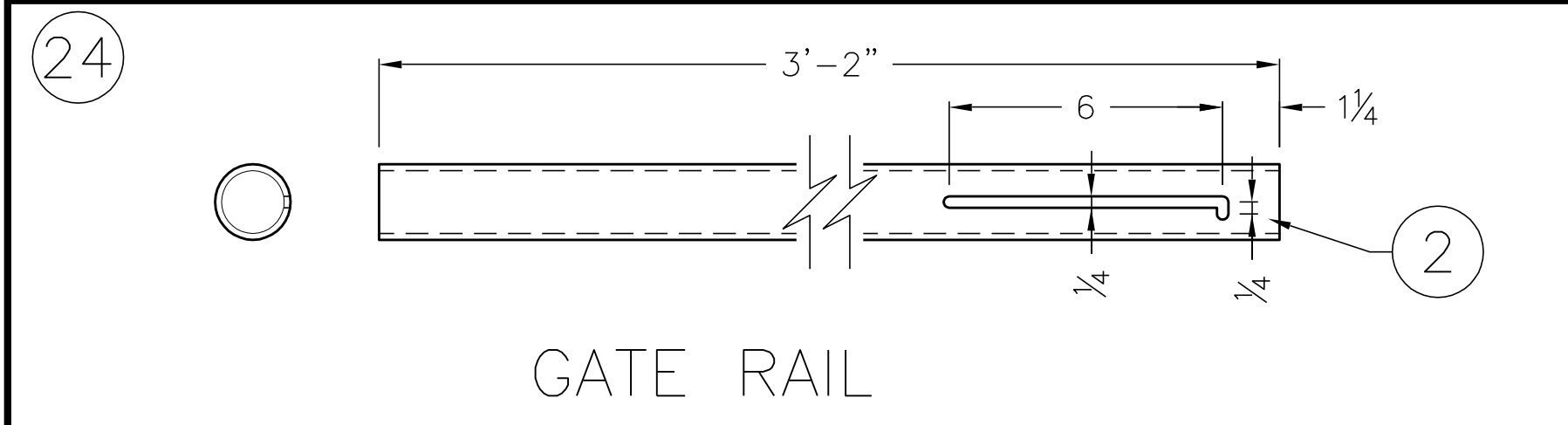
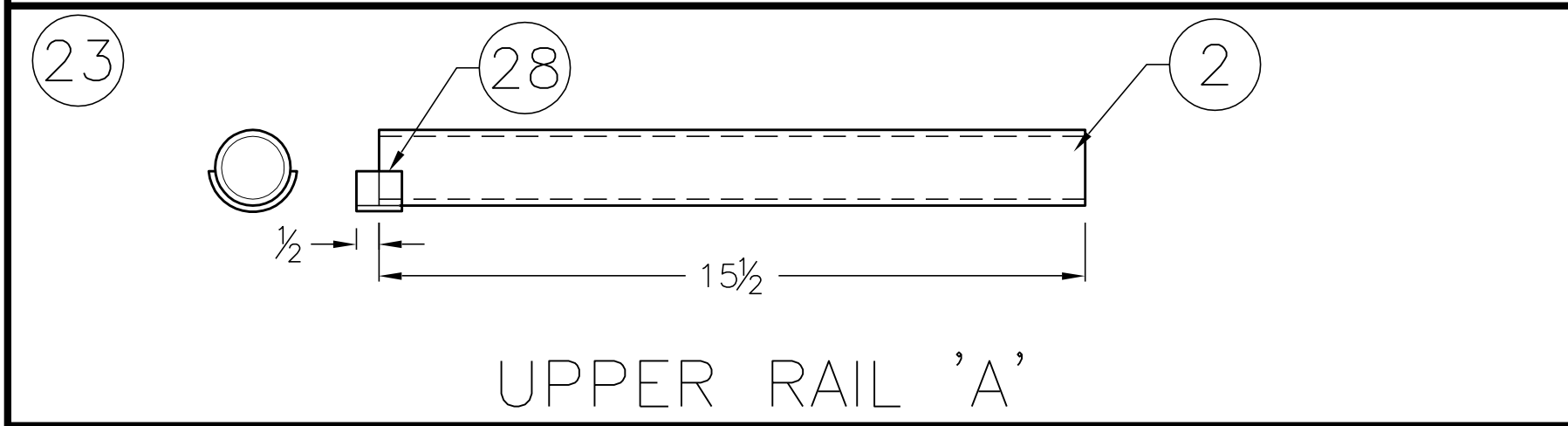
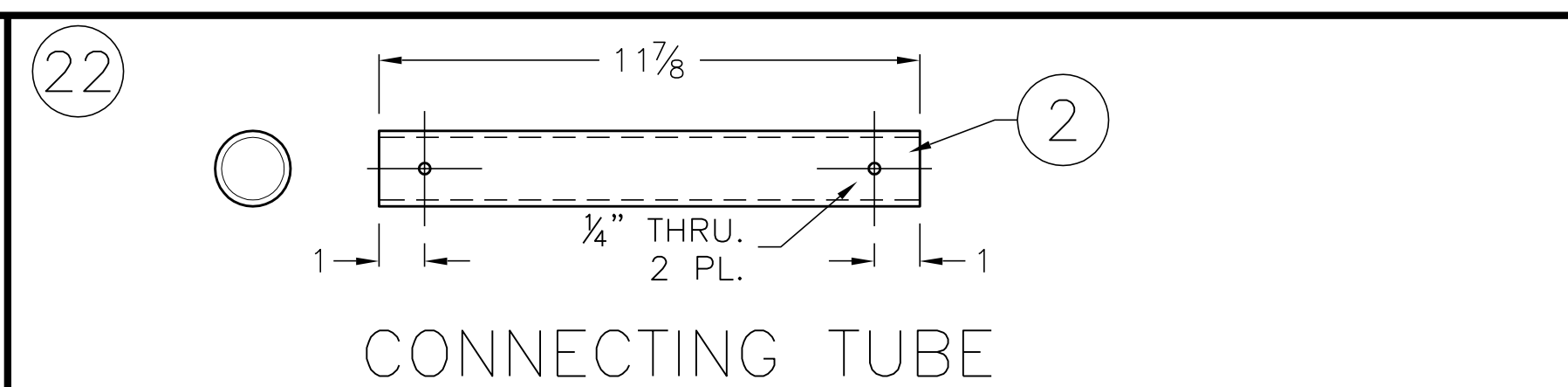
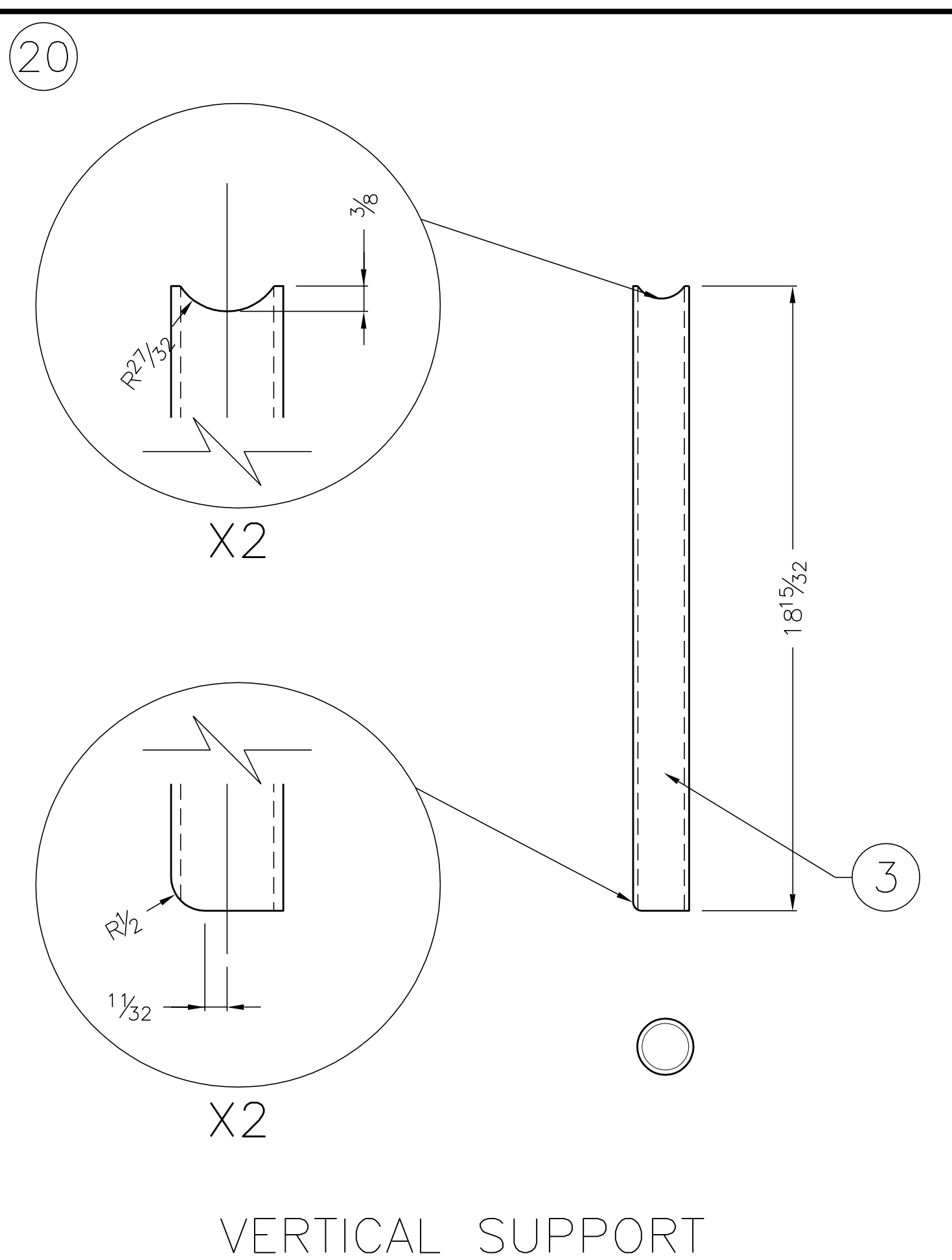


ZONE		REV		REVISIONS		DATE	APPROVED

ITEM	QTY.	DESCRIPTION	LENGTH	PART NO.
1	AR	3"x3"x1/4" 6061-16 ALUM.	-	-
2	AR	1 1/2" SCH. 40 STR.PIPE 6061-16 ALUM.	-	-
3	AR	1" SCH. 40 STR.PIPE 6061-16 ALUM.	-	-
4	AR	1 1/2" SCH. 40 STR.PIPE 6061-16 ALUM.	-	-
5	.	.	-	-
20	2	VERTICAL SUPPORT	-	-
21	1	BOTTOM RAIL	-	-
22	2	CONNECTING TUBE	-	-
23	1	UPPER RAIL 'A'	-	-
24	1	GATE RAIL	-	-
25	1	UPPER RAIL 'B'	-	-
26	1	SLIDE PIN	-	-
27	2	MATING PIN	-	-
28	1	GATE STOP	-	-
29	2	HINGE	-	-
31	1	1/2"-20 SHOULDER BOLT, (McMaster-Corr)	-	94496A230
32	1	1/2"-20 NYLOK NUT	-	-
32	1	1/2" FLAT WASHER	-	-



NOTE:
REMOVE ALL SHARP EDGES.

FIRST
200 Bedford Street, Manchester, N.H. 03101
(603) 666-3906 ♦ FAX (603) 666-3907

REV	FROM	BY	DATE	TITLE	MATERIAL
				FIELD, RAIL / GATE FABRICATION AND ASSEMBLY	AS NOTED
UNLESS OTHERWISE SPECIFIED				DRAWN BY	DATE
TOLERANCE	PERPENDICULAR WITHIN		JRR	12/18/01	SCALE
INCHES	PARALLEL				CHECKED
FRAC 1/8 1/64	FLAT OR STRAIGHT				DATE
.00 1/2 .015	CONCENTRIC T.I.R.				
.000 1/2 .020	RADI	RADI			
.0000 1/2 .0001	HOLES				
	FSCM				

SIZE: D No. F05-0008 SHEET NO. 1