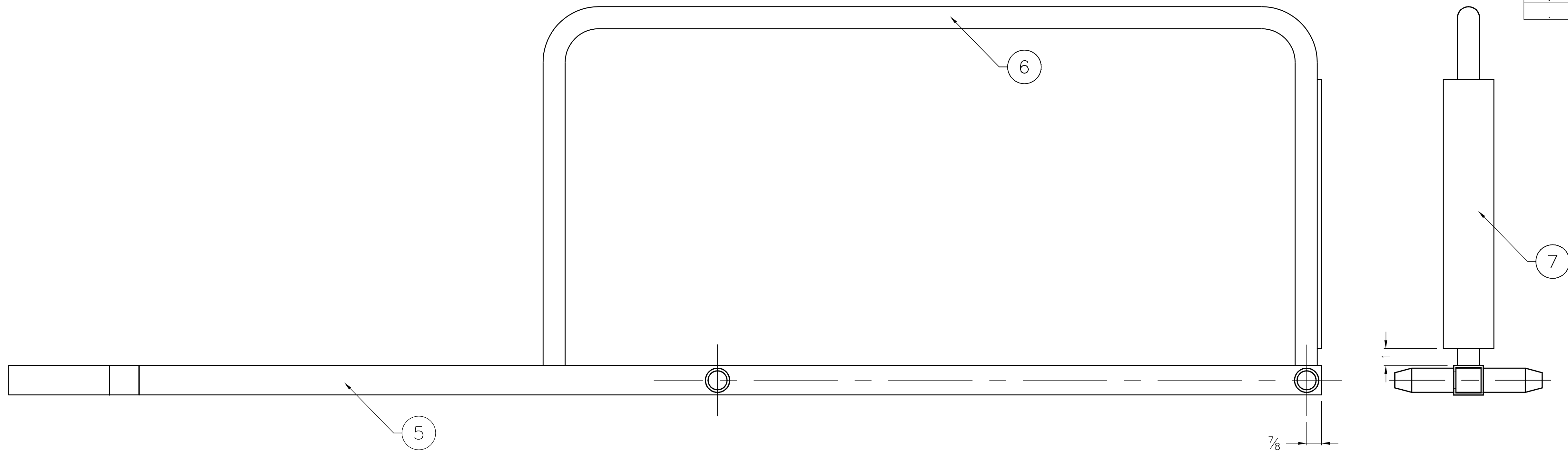
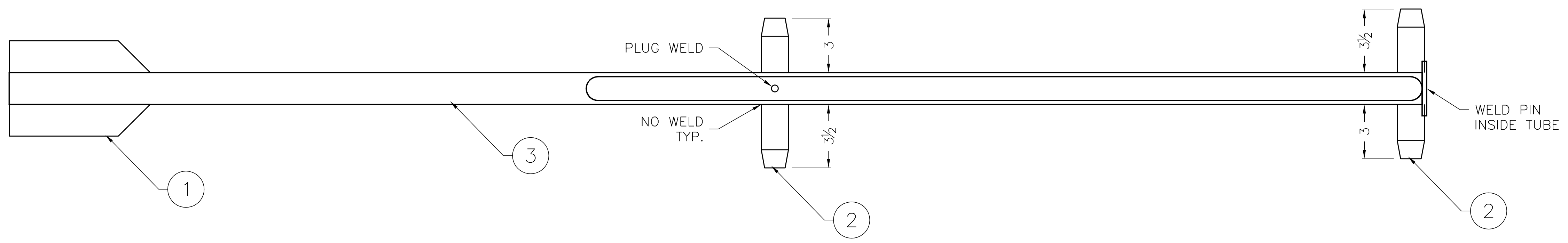


ZONE		REV	DESCRIPTION	DATE	APPROVED
REVISIONS					

ITEM	QTY.	DESCRIPTION	LENGTH	PART NO.
1	1	CONNECTOR SHAFT 'A'	.	-
2	1	CONNECTOR SHAFT 'B'	.	-
3	1	CONNECTOR TUBE	.	-
4	1	PULL ROD	.	-
5	1	SUPPORT COLUMN	.	-
6	1	SUPPORT RAIL	.	-
7	1	STOP PLATE	.	-
8	1	RAIL PIN	.	-
9	2	MOUNTING COUPLER	.	-
.	.	.	.	-
.	.	.	.	-



NOTE:
REMOVE ALL SHARP EDGES.

1 PER MARK-UPS		JR	1/5	<p style="text-align: center;">FIRST</p> <p style="text-align: center;">200 Bedford Street, Manchester, N H. 03101 (603) 666-3906 ♦ FAX (603) 666-3907</p>	
REV	FROM	BY	DATE		
UNLESS OTHERWISE SPECIFIED				TITLE	
TOLERANCE PERPENDICULAR WITHIN				DRIVERS STA. SUPPORT ASSEMBLY	
INCHES PARALLEL				MATERIAL AS NOTED	
FRAC 1/32 FLAT OR STRAIGHT				DRAWN BY	
CONCENTRIC T.I.R.				DATE	
.00 1/2 .02 RADI 1/4 SURFACE FINISH				SCALE	
.000 1/2 .015 HOLES 1/4				CHECKED	
.0000 1/2 .010 FSCM				DATE	
				SIZE	
				D No. F05-0004	
				SHEET NO. 1	