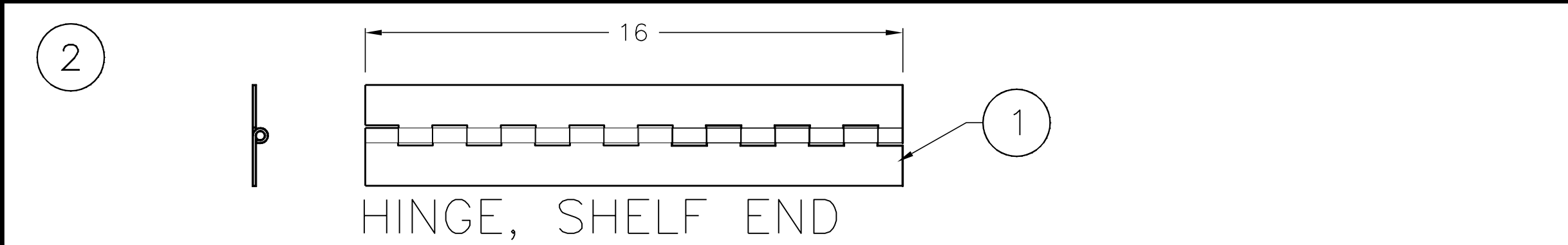
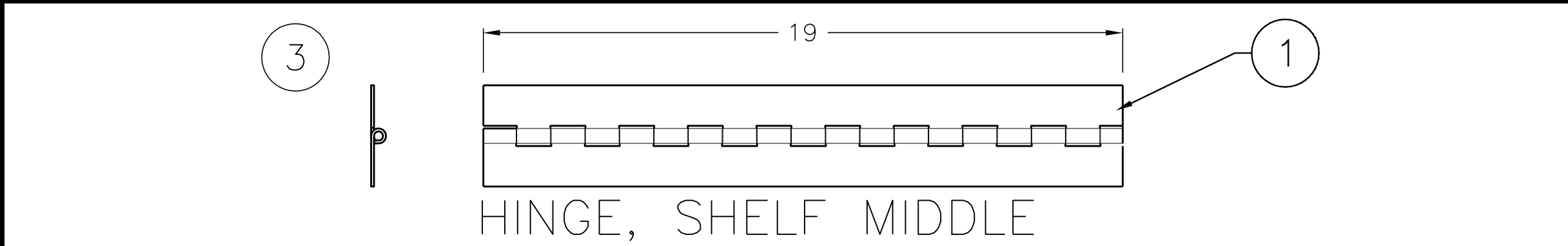




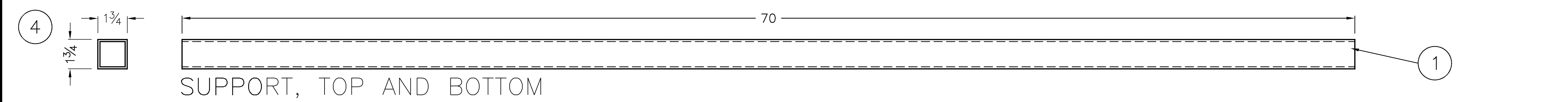
PANEL, DIAMOND PLATE



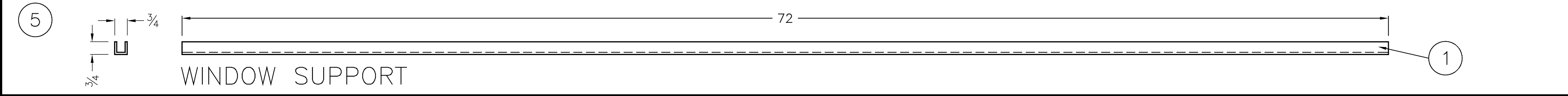
HINGE, SHELF END



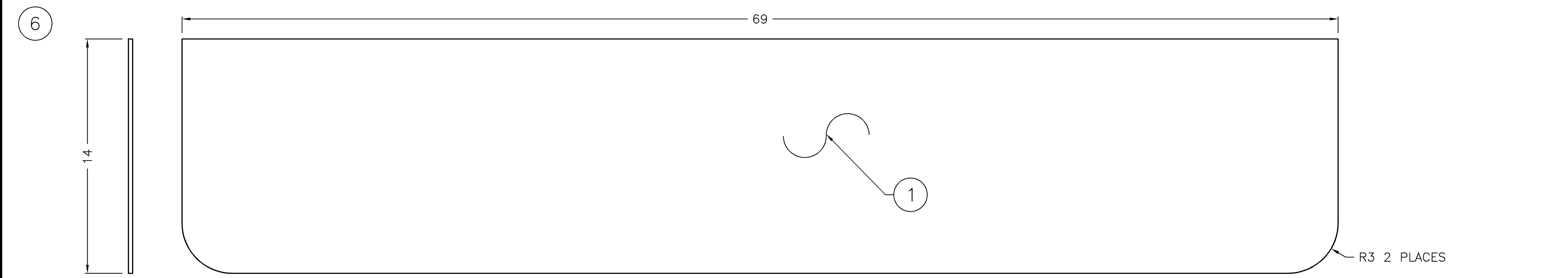
HINGE, SHELF MIDDLE



SUPPORT, TOP AND BOTTOM



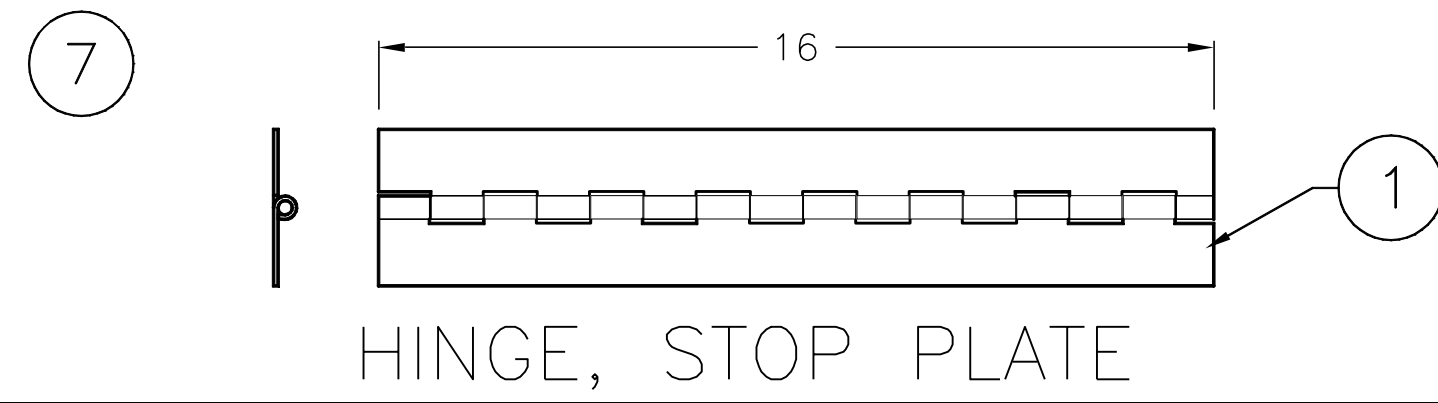
WINDOW SUPPORT



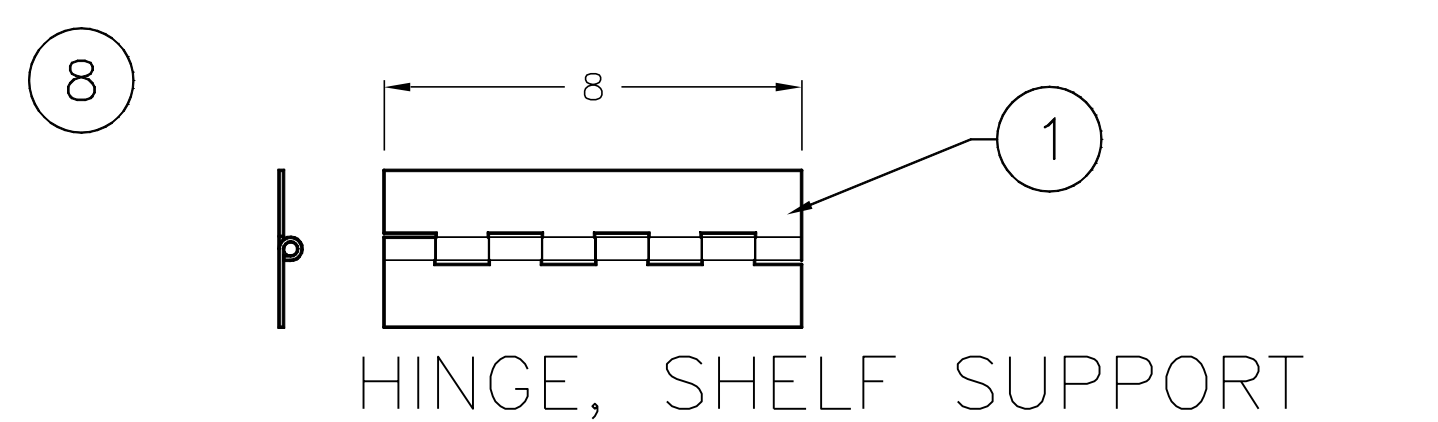
SHELF

REVISIONS				
ZONE	REV	DESCRIPTION	DATE	APPROVED

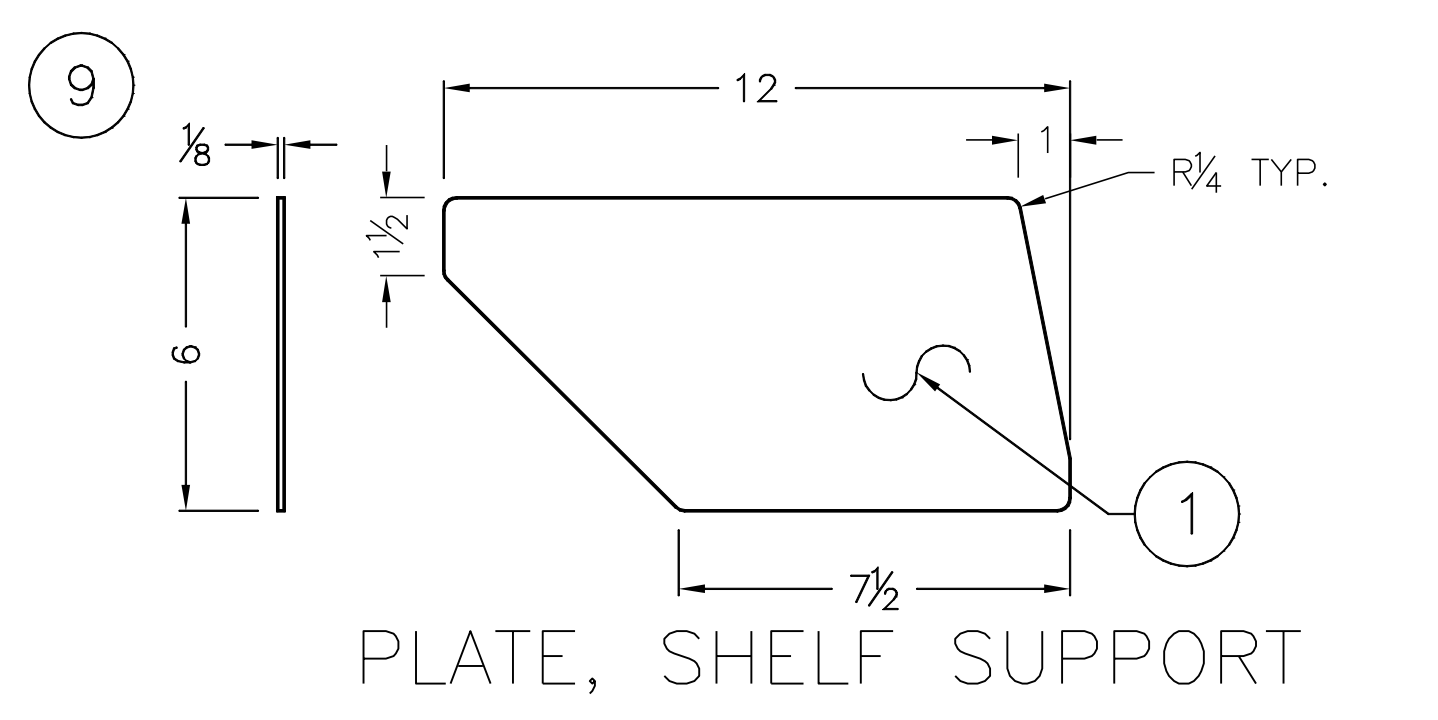
ITEM	QTY.	DESCRIPTION	LENGTH	PART NO.
1	1	3/16" ALUMINUM DIAMOND PLATE	.	-
2	1	HINGE, ALUMINUM 3"x.09", 1/4" PIN	.	-
3	1	1 3/4"x1 3/4"x1/8" 6061 ALUMINUM TUBING	.	-
4	1	3/4"x3/4"x1/8" ALUMINUM 'U' CHANNEL	.	-
5	1	1/4" 6061 ALUMINUM PLATE	.	-
6	1	1/8" 6061 ALUMINUM PLATE	.	-



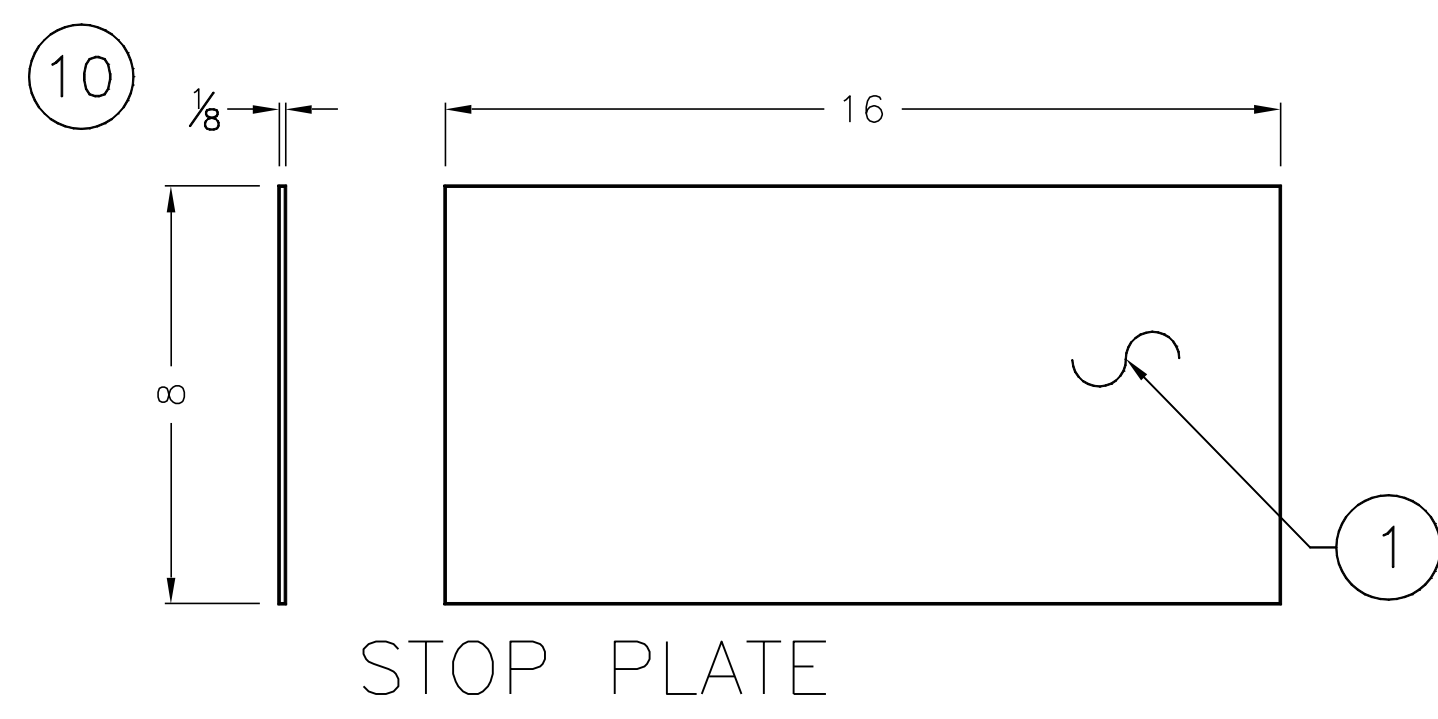
HINGE, STOP PLATE



HINGE, SHELF SUPPORT



PLATE, SHELF SUPPORT



STOP PLATE

NOTE:
REMOVE ALL SHARP EDGES.

1 PER MARK-UPS		JR	1/5	TITLE		MATERIAL	
REV	FROM	BY	DATE	DRIVERS STA. PANEL FABRICATION		AS NOTED	
UNLESS OTHERWISE SPECIFIED				DRAWN BY		DATE	SCALE
TOLERANCE PERPENDICULAR WITHIN				JRR		09/27/04	1:4
INCHES PARALLEL				SIZE		D	
FRAC 1/32 FLAT OR STRAIGHT				FSCM		No. F05-0001	
.00 1/2 .02 RADI . 1/4 SURFACE FINISH				CHECKED		DATE	
.000 1/2 .015 HOLES . 1/4				SHEET NO.		1	
.0000 1/2 .010 FSCM				FIRST 200 Bedford Street, Manchester, N.H. 03101 (603) 666-3906 ♦ FAX (603) 666-3907			