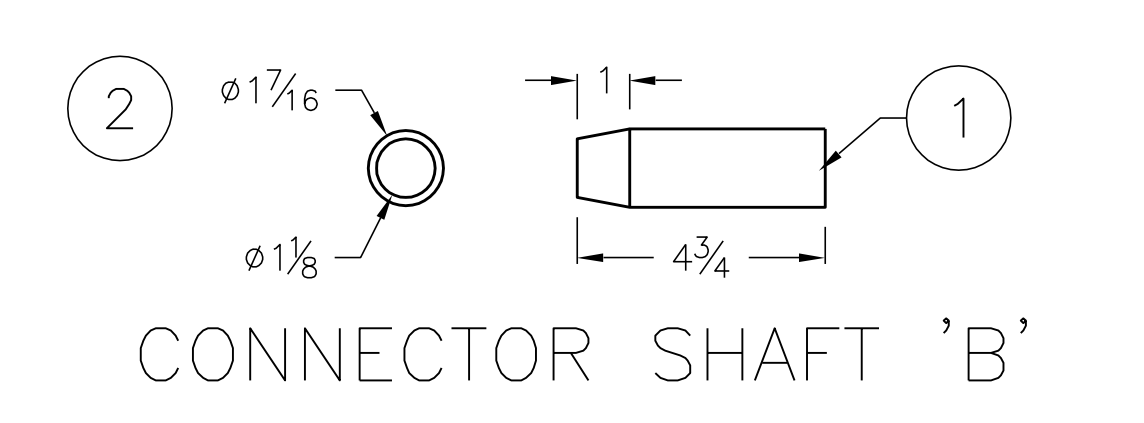
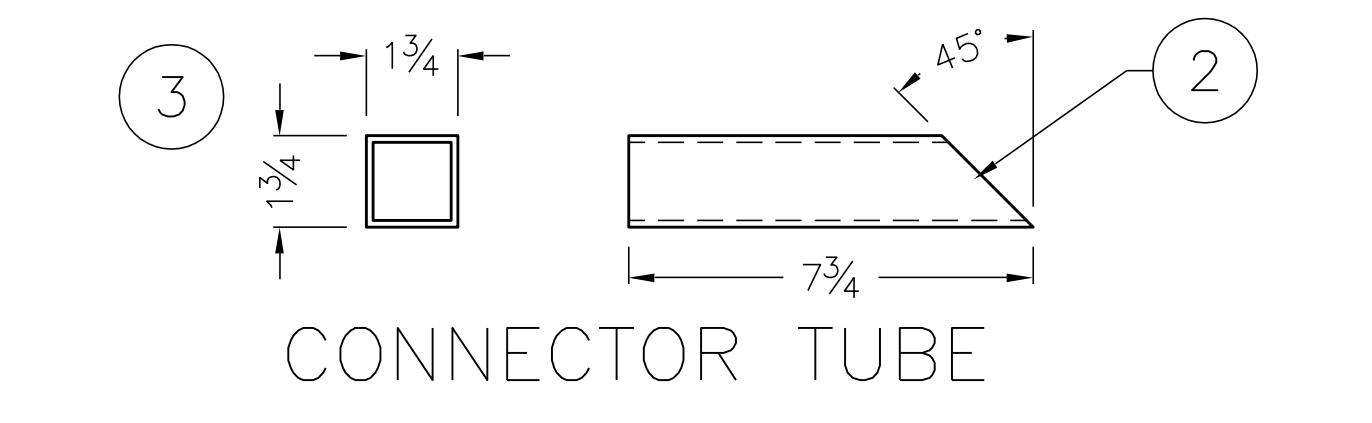


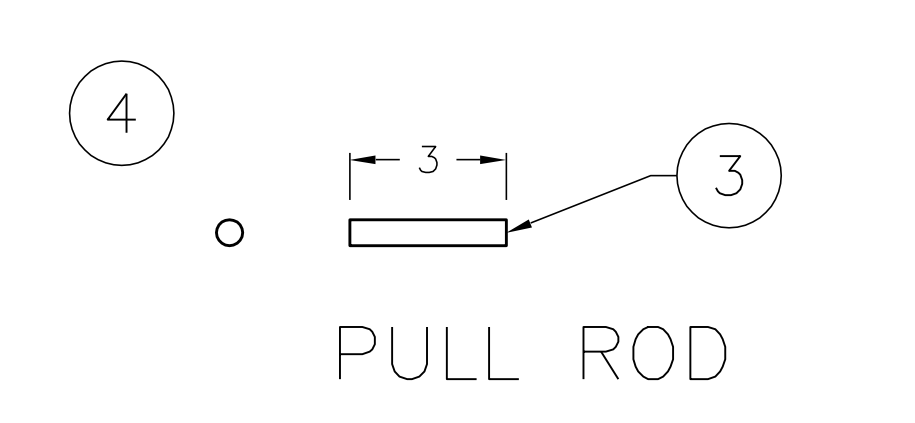
CONNECTOR SHAFT 'A'



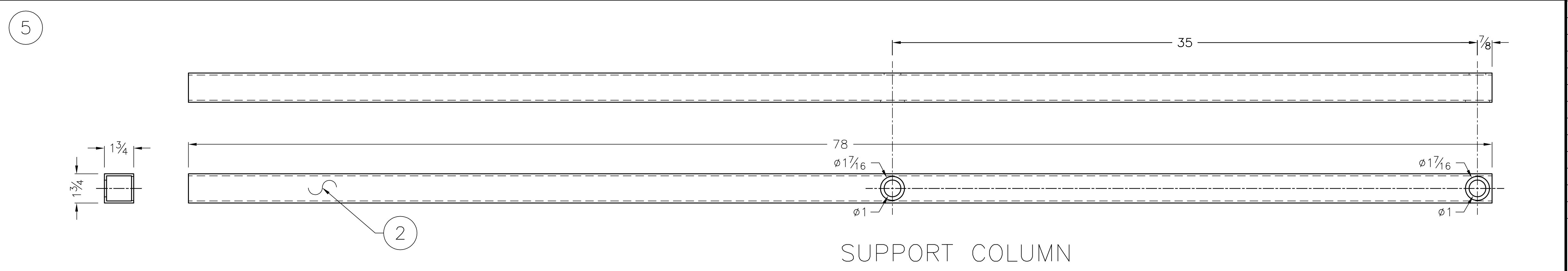
CONNECTOR SHAFT 'B'



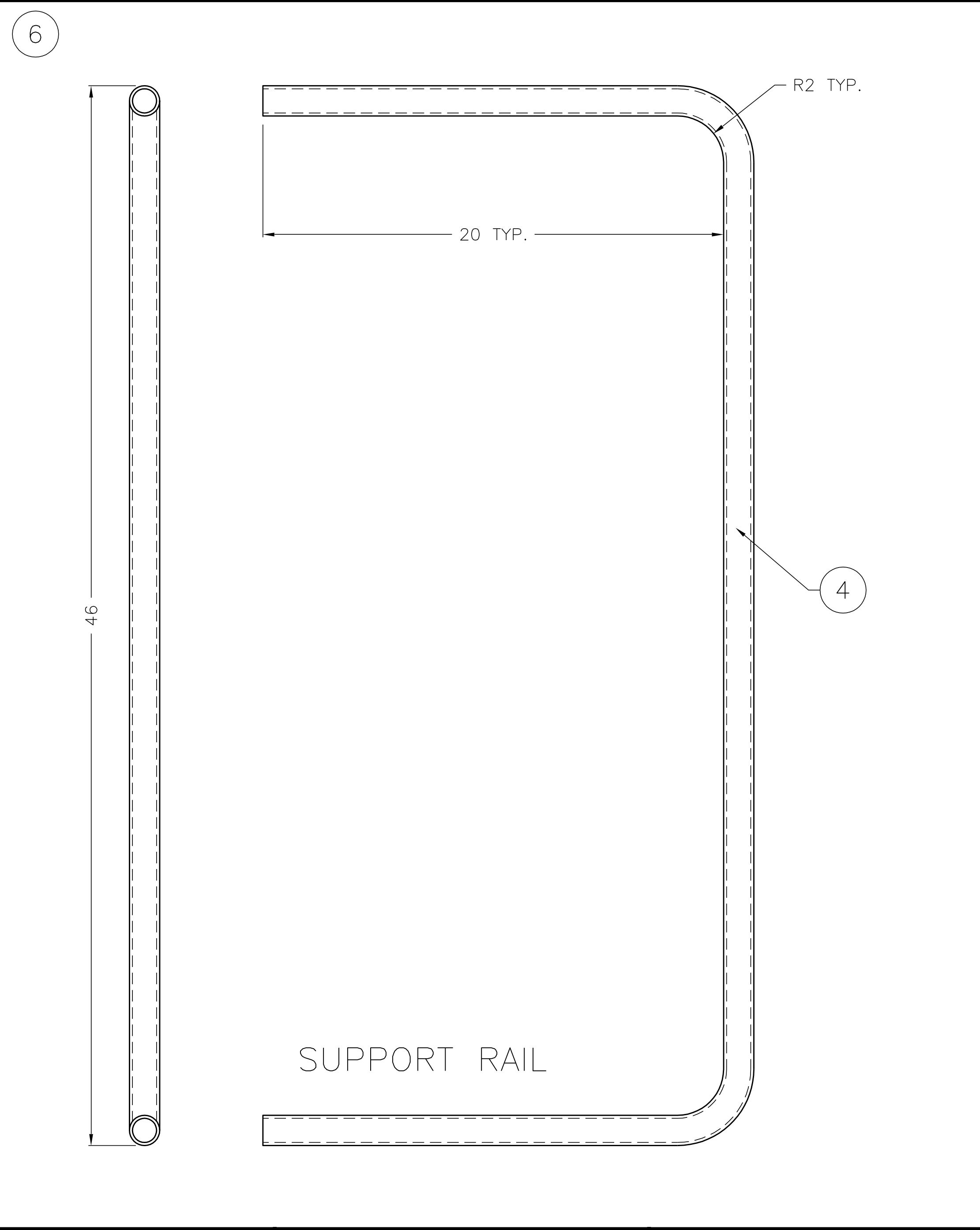
CONNECTOR TUBE



PULL ROD



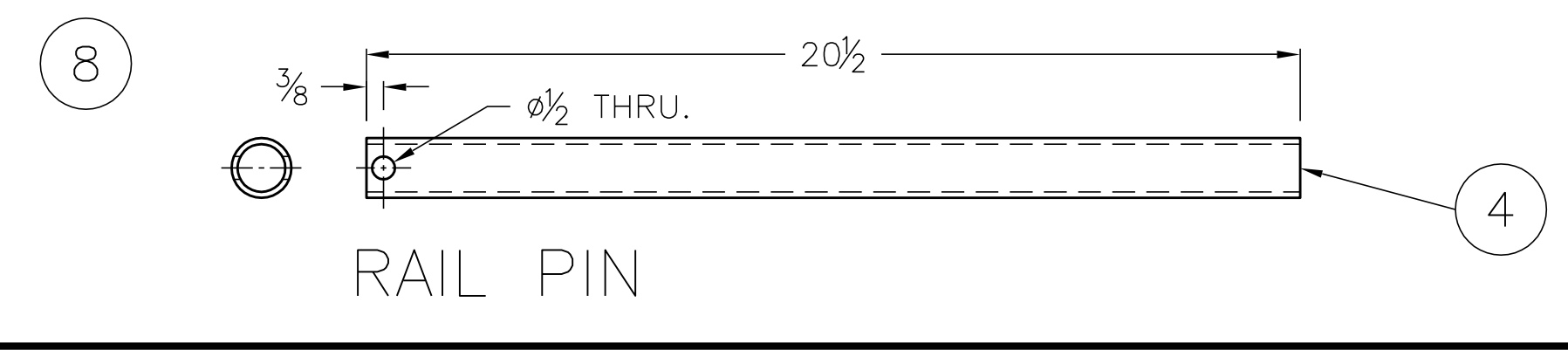
SUPPORT COLUMN



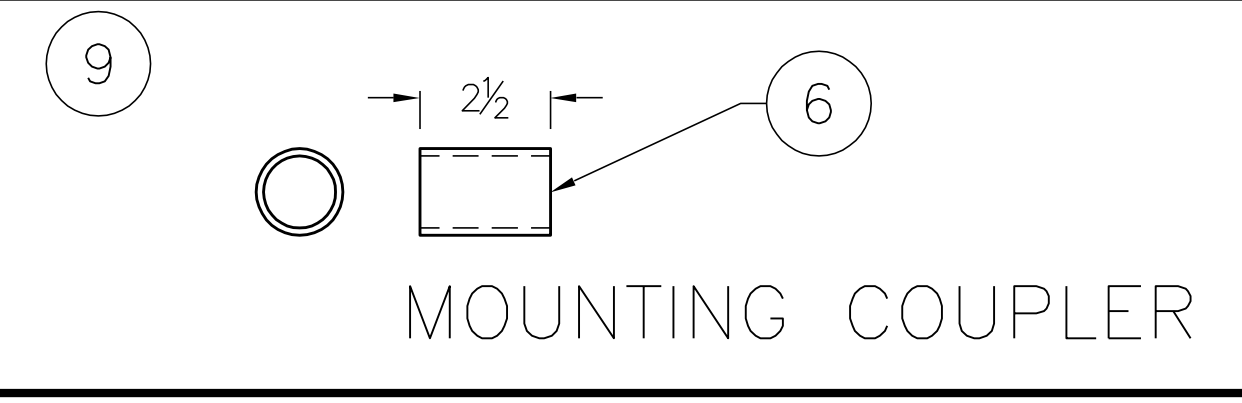
SUPPORT RAIL



STOP PLATE



RAIL PIN



MOUNTING COUPLER

ZONE		REV	DESCRIPTION	DATE	APPROVED
ITEM	QTY.	DESCRIPTION		LENGTH	PART NO.
1	1	1 1/2" 6061 ALUMINUM SOLID ROD		.	-
2	1	1 3/4"x1 3/4"x3/8" 6061 ALUMINUM TUBING		.	-
3	1	1/2" 6061 ALUMINUM ROD		.	-
4	1	1" SCHEDULE 40 ALUMINUM TUBE		.	-
5	1	3"x 1/4" 6061 ALUMINUM PLATE		.	-
6	1	1 1/4" SCHEDULE 40 ALUMINUM TUBE		.	-

UNLESS OTHERWISE SPECIFIED		TITLE		MATERIAL	
TOLERANCE	PERPENDICULAR WITHIN	CORNER SUPPORT FABRICATION		AS NOTED	
INCHES	PARALLEL	DRAWN BY	DATE	SCALE	CHECKED
FRAC. 1/32	FLAT OR STRAIGHT	JRR	09/28/04	1:4	
.00	CENTRIC T.I.R.	SIZE	D	No. F05-0005	SHEET NO. 1
.000	RADI				
.0000	HOLES				
	FSCM				

FIRST
 200 Bedford Street, Manchester, N H, 03101
 (603) 666-3906 ♦ FAX (603) 666-3907

NOTE:
 REMOVE ALL SHARP EDGES.