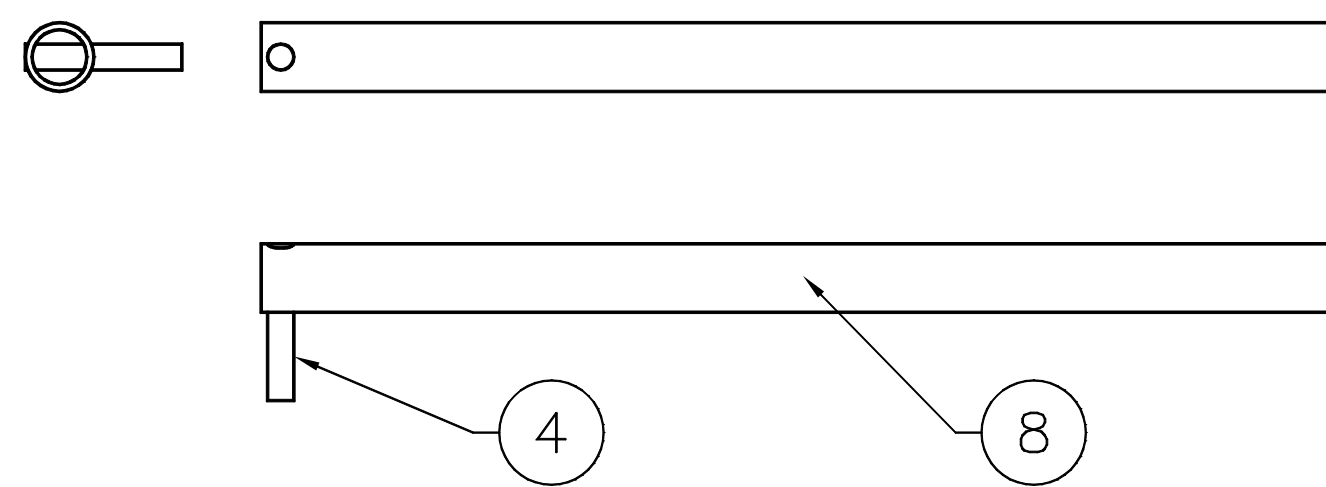
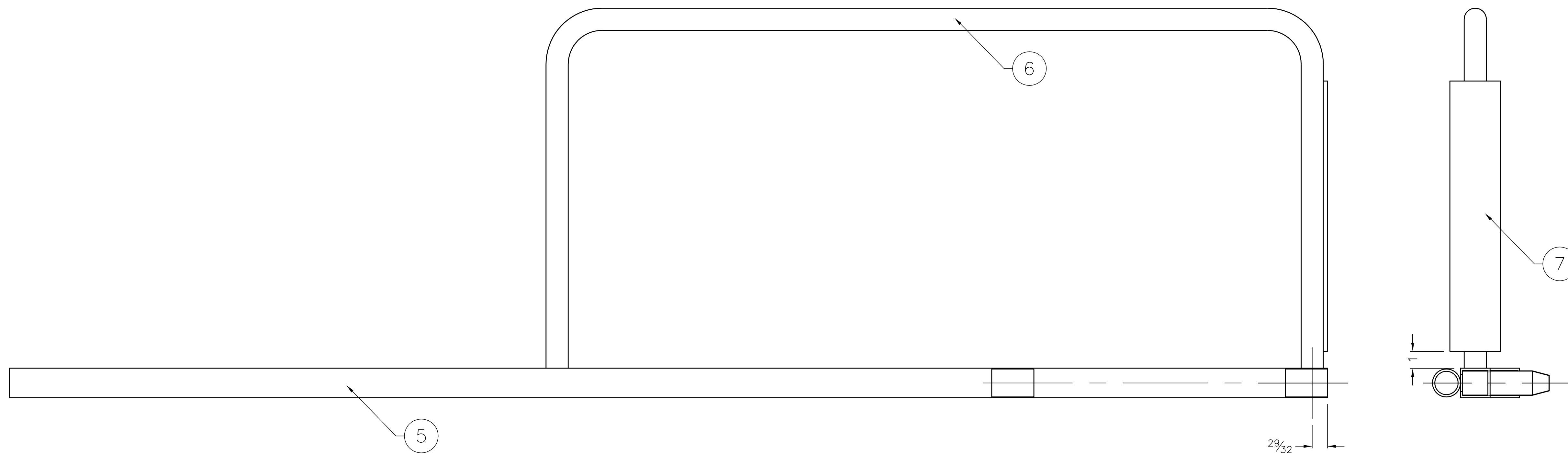
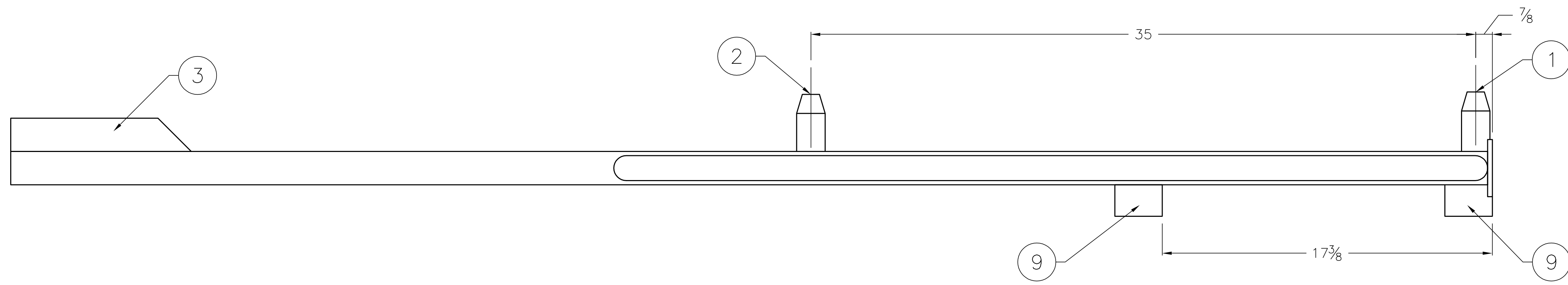


ZONE		REV	DESCRIPTION	DATE	APPROVED
REVISIONS					

ITEM	QTY.	DESCRIPTION	LENGTH	PART NO.
1	1	CONNECTOR SHAFT 'A'	.	-
2	1	CONNECTOR SHAFT 'B'	.	-
3	1	CONNECTOR TUBE	.	-
4	1	PULL ROD	.	-
5	1	SUPPORT COLUMN	.	-
6	1	SUPPORT RAIL	.	-
7	1	STOP PLATE	.	-
8	1	RAIL PIN	.	-
9	2	MOUNTING COUPLER	.	-
.	.	.	.	-
.	.	.	.	-



NOTE:  
REMOVE ALL SHARP EDGES.

1		PER MARK-UPS	JR	1/5	<b>FIRST</b> 200 Bedford Street, Manchester, N H. 03101 (603) 666-3906 ♦ FAX (603) 666-3907	
REV		FROM	BY	DATE		
UNLESS OTHERWISE SPECIFIED					TITLE	
TOLERANCE PERPENDICULAR WITHIN					CORNER SUPPORT ASSEMBLY	
INCHES PARALLEL					MATERIAL AS NOTED	
FRAC. 1/32 FLAT OR STRAIGHT					DRAWN BY	
CONCENTRIC T.I.R.					DATE	
.00 1/2 .02					SCALE	
.000 1/2 .015					CHECKED	
.0000 1/2 .010					DATE	
FSCM					SHEET NO.	
RADI : 1/2 SURFACE FINISH					D	
HOLES : 1/2					No. F05-0006	
SIZE					1	