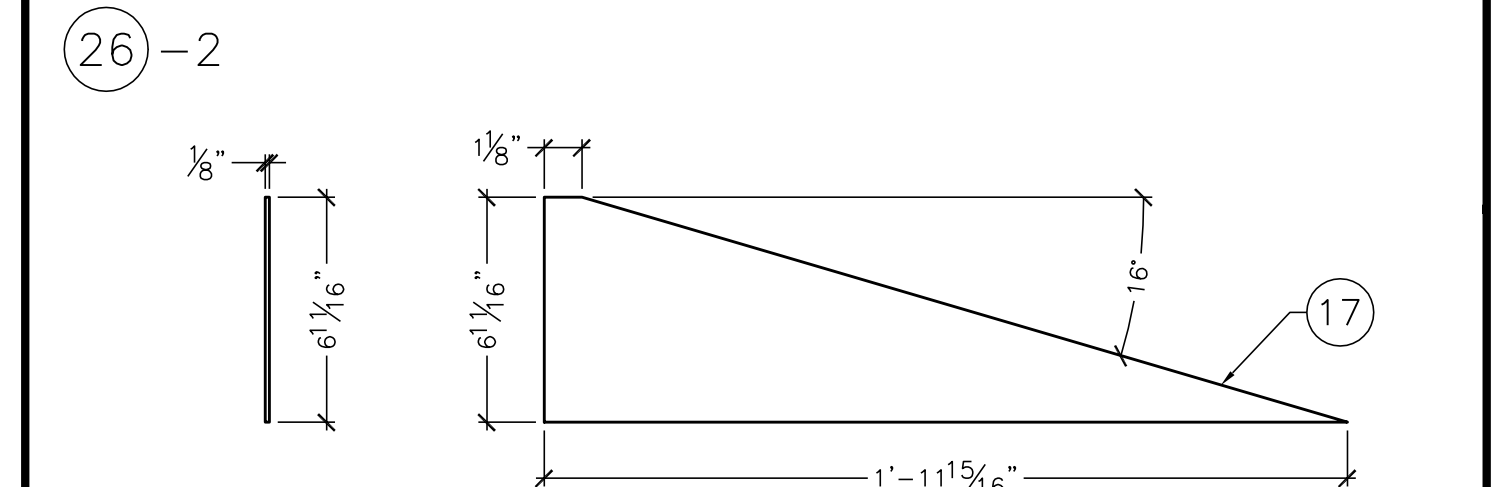
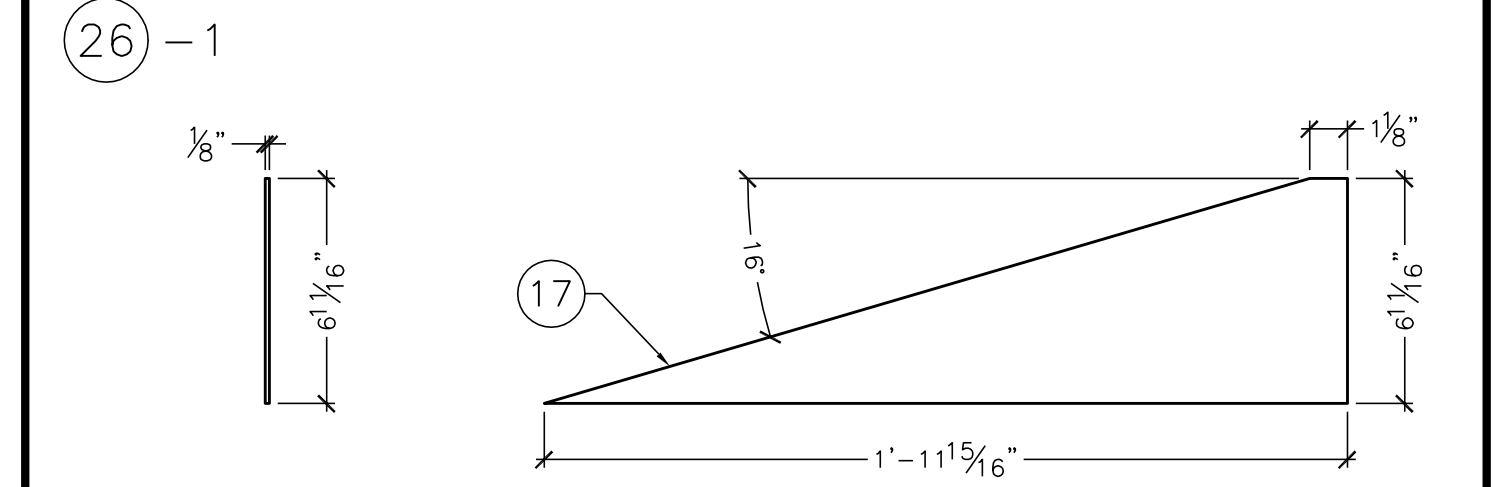
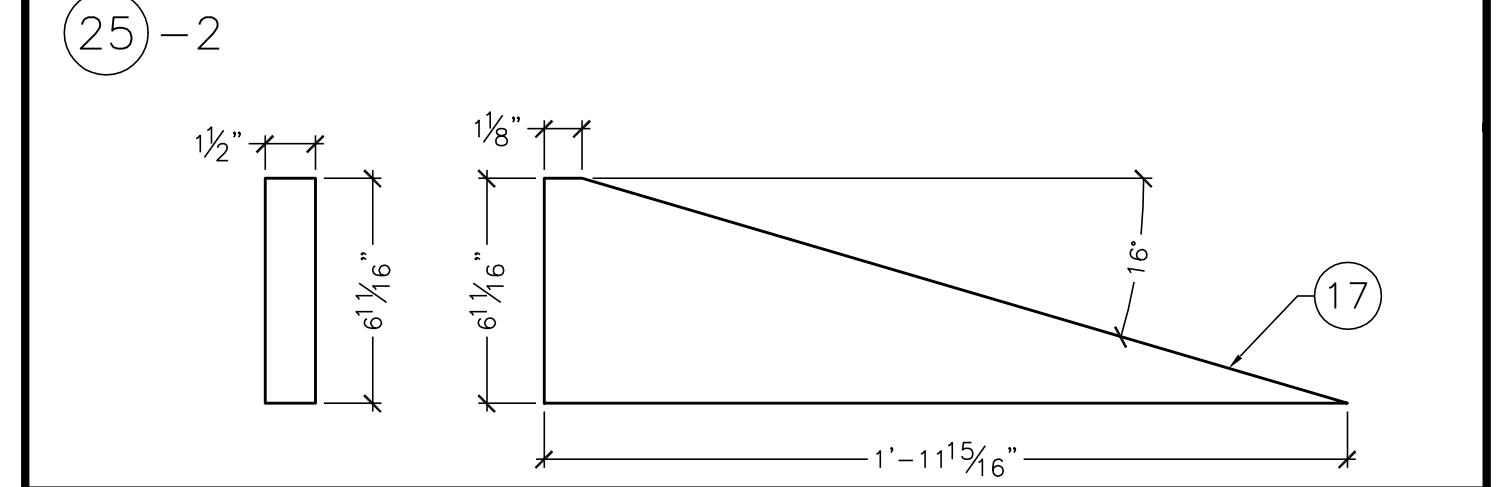
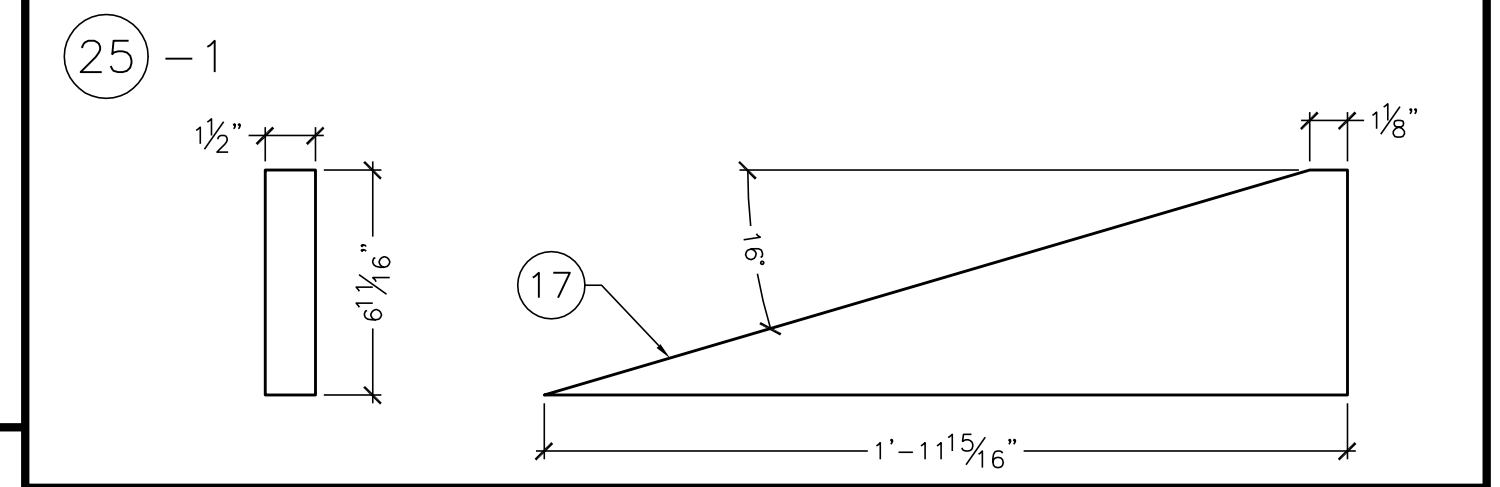


		REVISIONS		DATE	APPROVED
ZONE	REV	DESCRIPTION			
	1	REDESIGN TO EXTEND OUTER RAMP 18"		12/22/05	
	2	MADE OUTER RAMP WELDED PIECES		12/27/05	
	3	REDUCED ITEM 15 TO 3" - ITEM 17 TO 3" - ADDED ITEM 26 & 26 PLUS MATERIALS		01/23/06	

ITEM	QTY.	DESCRIPTION	LENGTH	PART NO.
17	1	HINGE	.	2F-100-17
18	1	INNER RAMP	.	2F-100-18
19	1	OUTER RAMP	.	2F-100-19
20	1	OUTER RAMP HINGE PLATE	.	2F-100-20
21	2	SIDE FILLER, OUTER RAMP	.	2F-100-21
22	2	FLANGE, SHORT	.	2F-100-22
23	2	FLANGE LONG	.	2F-100-23
24	1	DIFFUSER	.	2F-100-24
25	1	RAMP BLOCK	.	2F-100-25
26	1	BLOCK PLATE	.	2F-100-26



NOTE:  
REMOVE ALL SHARP EDGES.

3	GDC	JR	01/23	<b>FIRST</b> 200 Bedford Street, Manchester, N.H. 03101 (603) 666-3906 ♦ FAX (603) 666-3907
2	W PORTER	JR	12/27	
1	PER FIELD	JR	12/22	
REV.	BY	DATE	TITLE	MATERIAL AS NOTED
UNLESS OTHERWISE SPECIFIED				2006 PLAYER'S STATION FABRICATION & ASSY
TOLERANCE	PERPENDICULAR WITHIN	DRAWN BY		DATE
INCHES	PARALLEL	JRR		11/21/05
FRAC. 1/32	FLAT OR STRAIGHT	SCALE	CHECKED	DATE
.00	CONCENTRIC T.I.R.	NA		
.000	RADIUS : 1/4	SIZE		SHEET NO.
.000	HOLES : 1/2	D		3 of 3
.0000	FSCM	No. 2F-100		