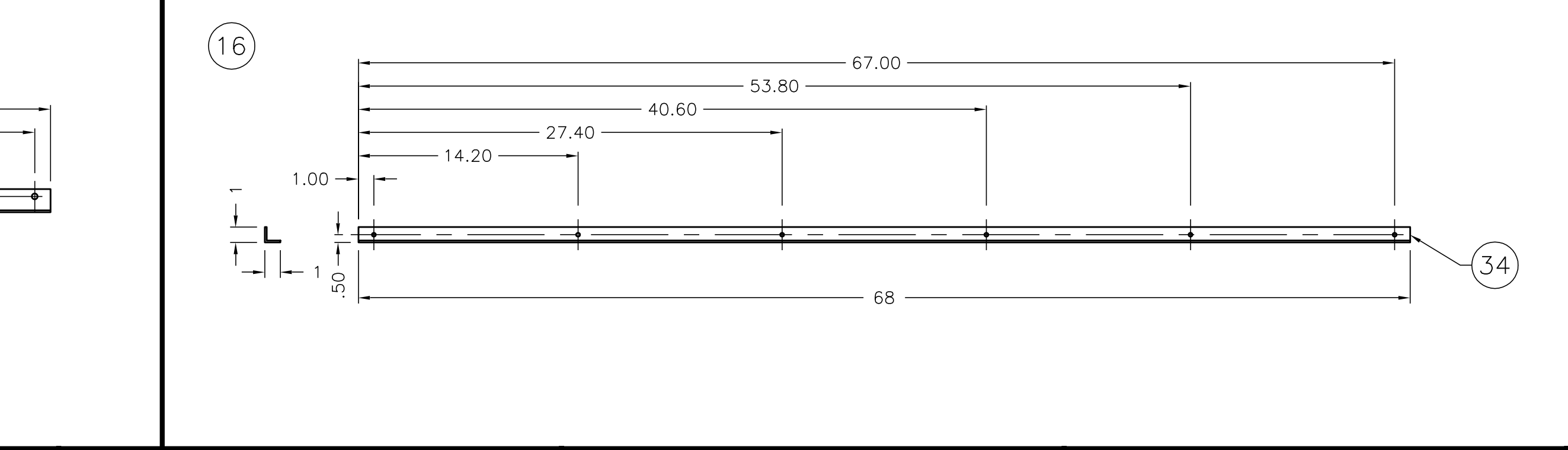
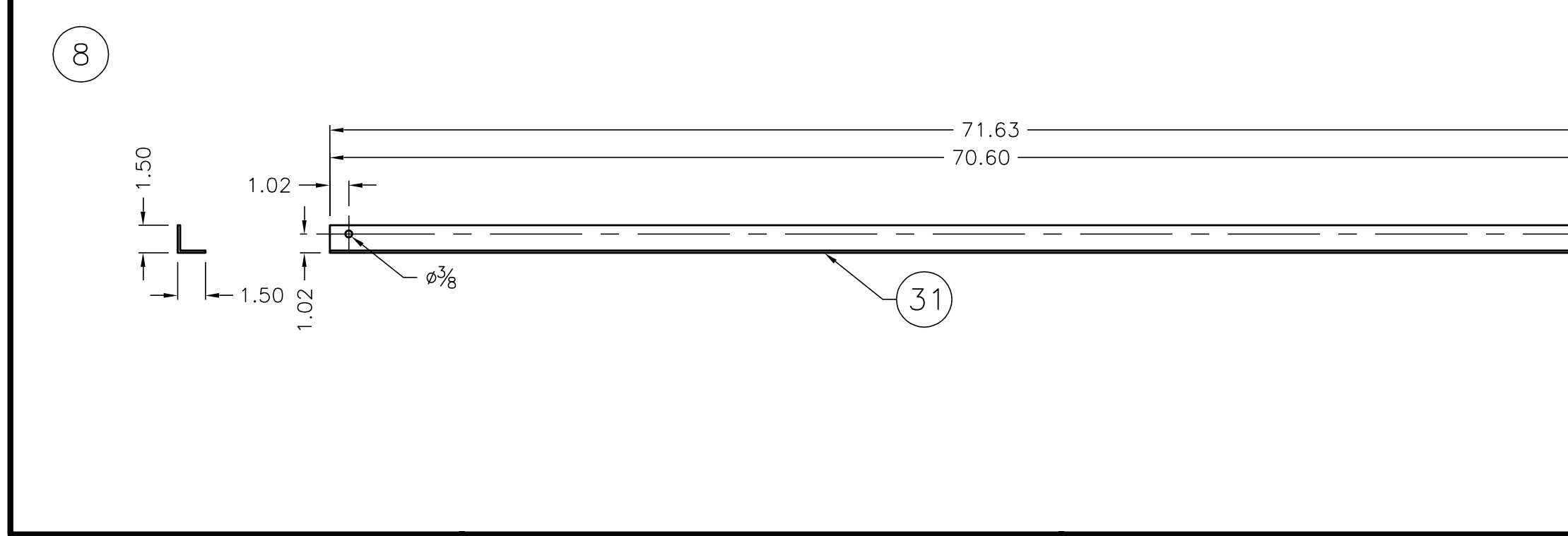
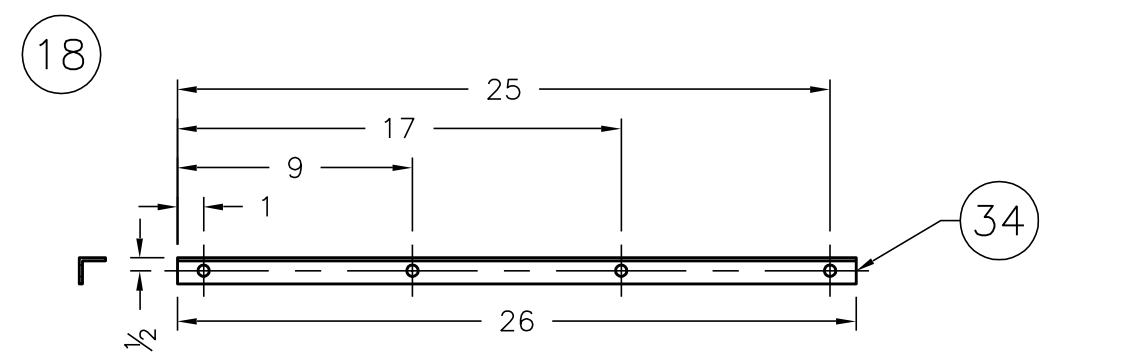
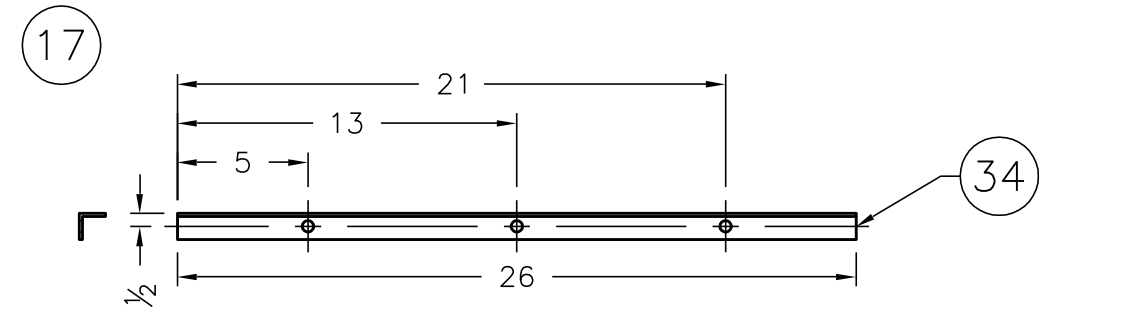
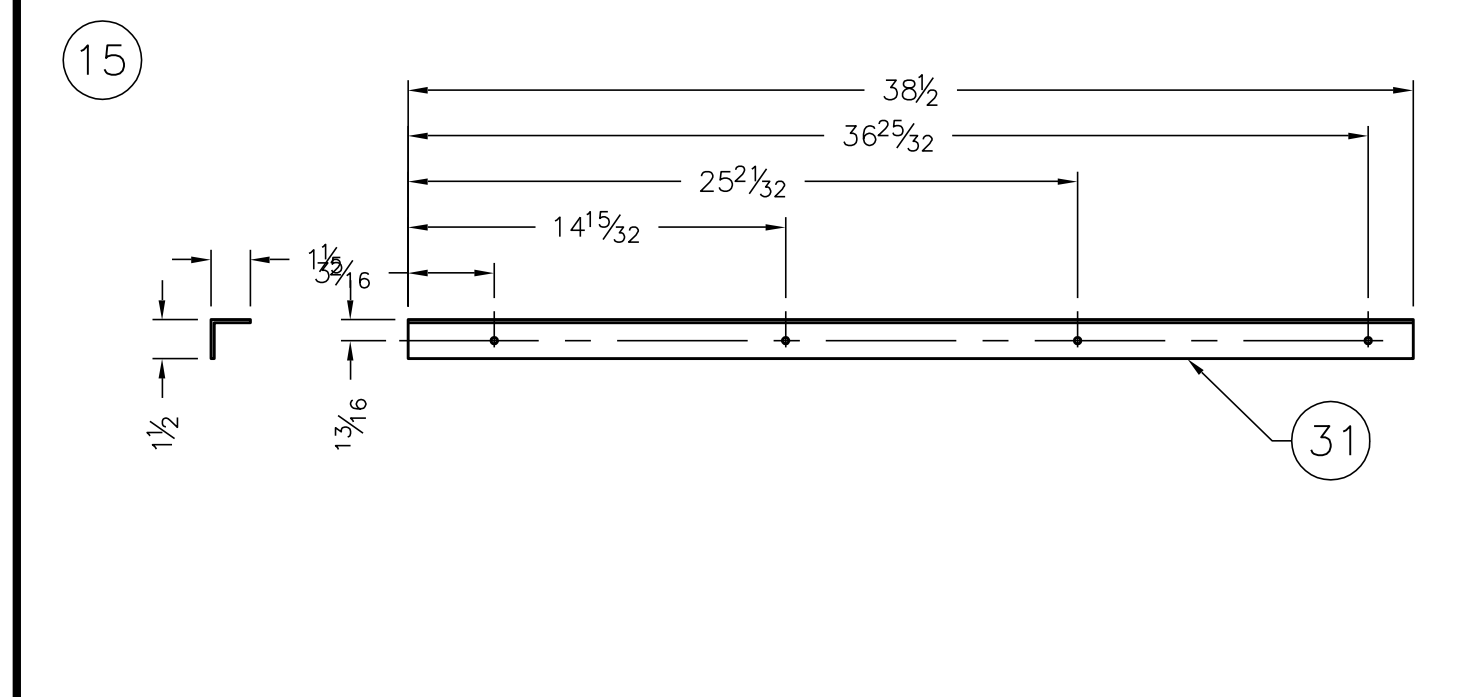
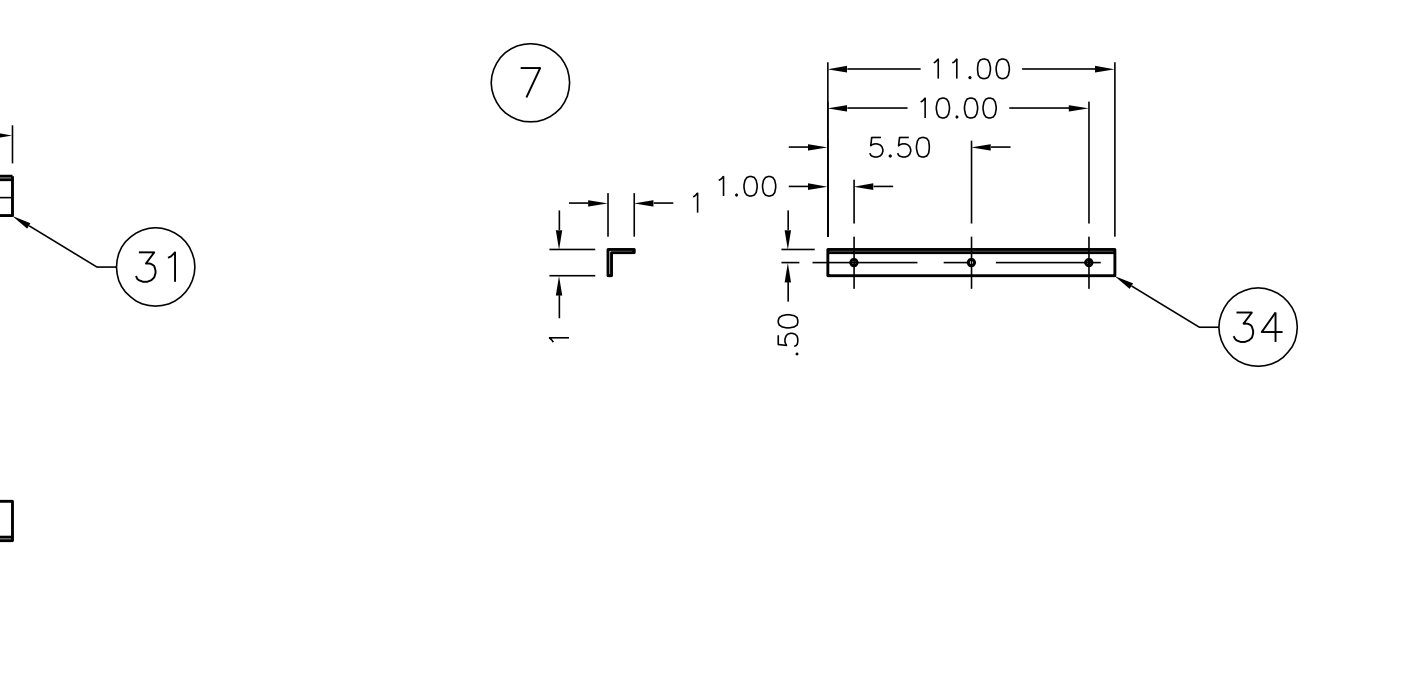
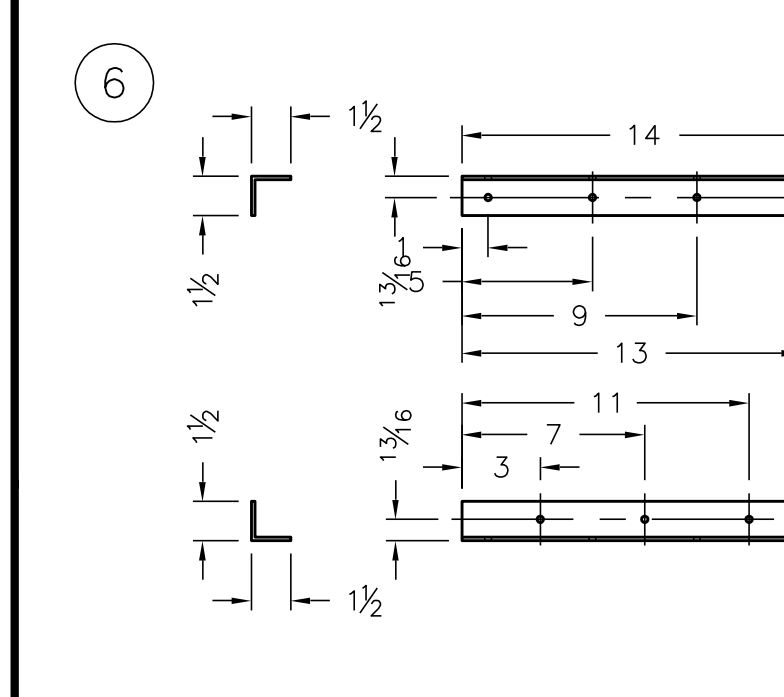
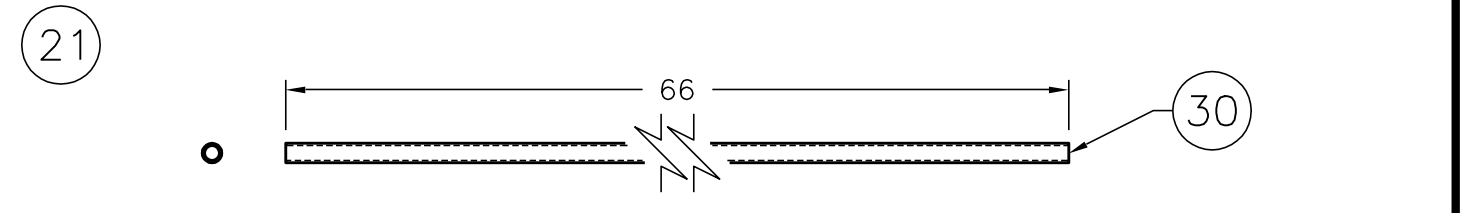
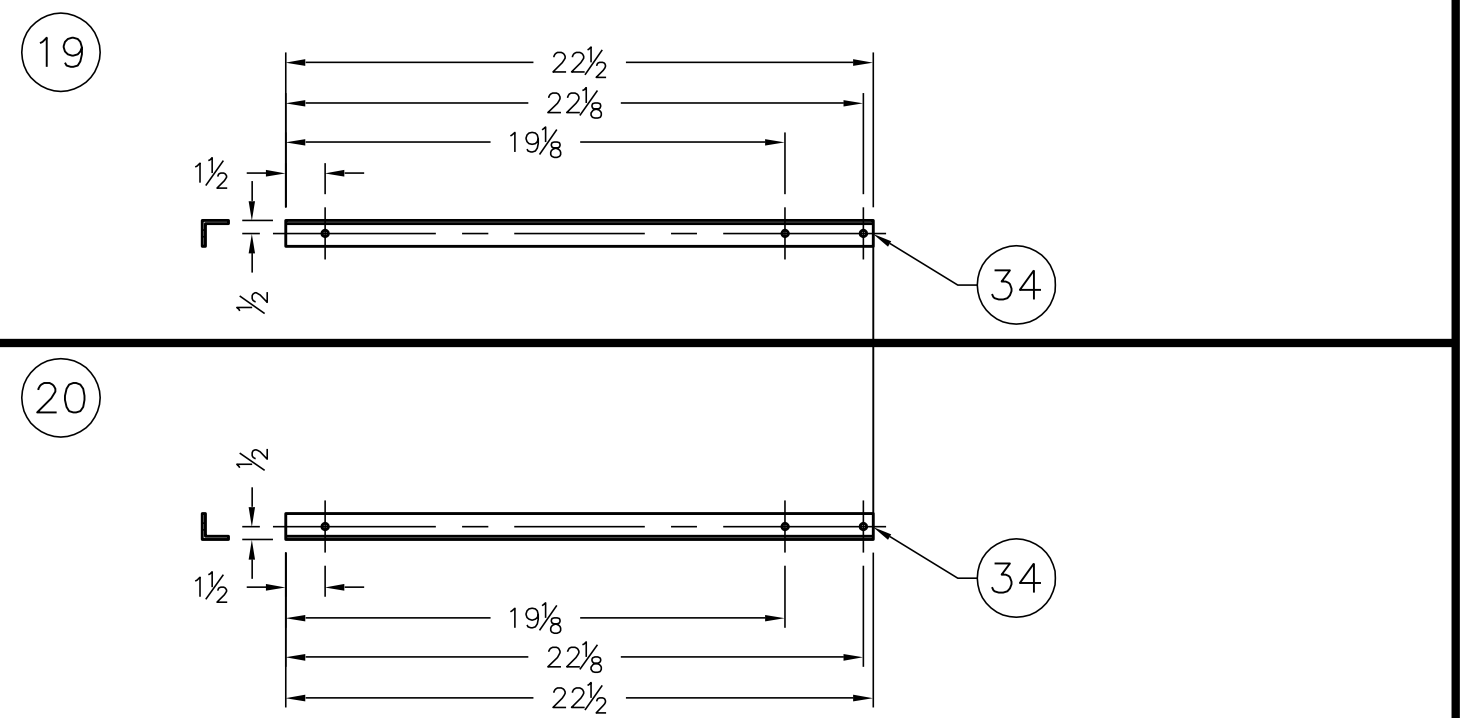


ZONE	REV	DESCRIPTION	DATE	APPROVED
1		CORRECTED SHEET NUMBER ADDED NOTE.	01/11/06	

ITEM	QTY.	DESCRIPTION	LENGTH	PART NO.
1	1	REAR FRAME		2F-500-01
2	1	STIFFENER, GOAL FACE		2F-500-02
3	4	MOUNT, REAR FRAME		2F-500-03
4	1	RAMP MOUNT, LOWER		2F-500-04
5	1	RAMP MOUNT, UPPER		2F-500-05
6	2	MOUNT, GOAL FACE		2F-500-06
7	2	RAMP STIFFENER, SHORT		2F-500-07
8	1	CROSSBRACE, REAR		2F-500-08
9	1	FRAME, RIGHT SIDE, FRONT		2F-500-09
10	1	FRAME, LEFT SIDE, FRONT		2F-500-10
11	1	FRAME, RIGHT SIDE, LOWER		2F-500-11
12	1	FRAME, LEFT SIDE, LOWER		2F-500-12
13	1	FRAME, LEFT SIDE, REAR		2F-500-13
14	2	SPACER, FRONT		2F-500-14
15	1	FRAME, RIGHT SIDE, REAR		2F-500-15
16	2	RAMP STIFFENER, LONG		2F-500-16
17	1	CHAIN MOUNT, THREE		2F-500-17
18	1	CHAIN MOUNT, FOUR		2F-500-18
19	1	SIDE CHAIN RAIL, RIGHT		2F-500-19
20	1	SIDE CHAIN RAIL, LEFT		2F-500-20
21	1	NET MOUNT, FRONT		2F-500-21
22	2	HINGE		2F-500-22
30	AR	ALUMINUM TUBING, 3/4"x.078 WALL		-
31	AR	ALUMINUM ANGLE, 1 1/2"x1 1/2"x3/8"		-
32	AR	ALUMINUM PLATE, 3"x3/8"		-
33	AR	ALUMINUM U CHANNEL, 3/4"x3/4"x3/8"		-
34	AR	ALUMINUM ANGLE, 1"x1"x3/8"		-
35	AR	ALUMINUM PLATE, 1 1/2"x3/8"		-



NOTE:  
ALL HOLE LOCATIONS THIS PAGE ARE ±.04"

**FIRST**

200 Bedford Street, Manchester, N.H. 03101  
(603) 666-3906 ♦ FAX (603) 666-3907

1	PER FIELD	JR	01/06
REV	FROM	BY	DATE
UNLESS OTHERWISE SPECIFIED			
TOLERANCE	PERPENDICULAR WITHIN	TITLE	
INCHES	PARALLEL	2006 CENTER GOAL	
FRAC. 1/64	FLAT OR STRAIGHT	FABRICATION AND ASSEMBLY	
.00 1/2	CONCENTRIC T.I.R.	DRAWN BY	DATE
.000 1/2	RADI	JRR	12/12/05
.0000 1/2	HOLE	SCALE	NONE
	SIZE	CHECKED	DATE
	FSCM	D	No. 2F-500
			SHEET NO. 1 of 3