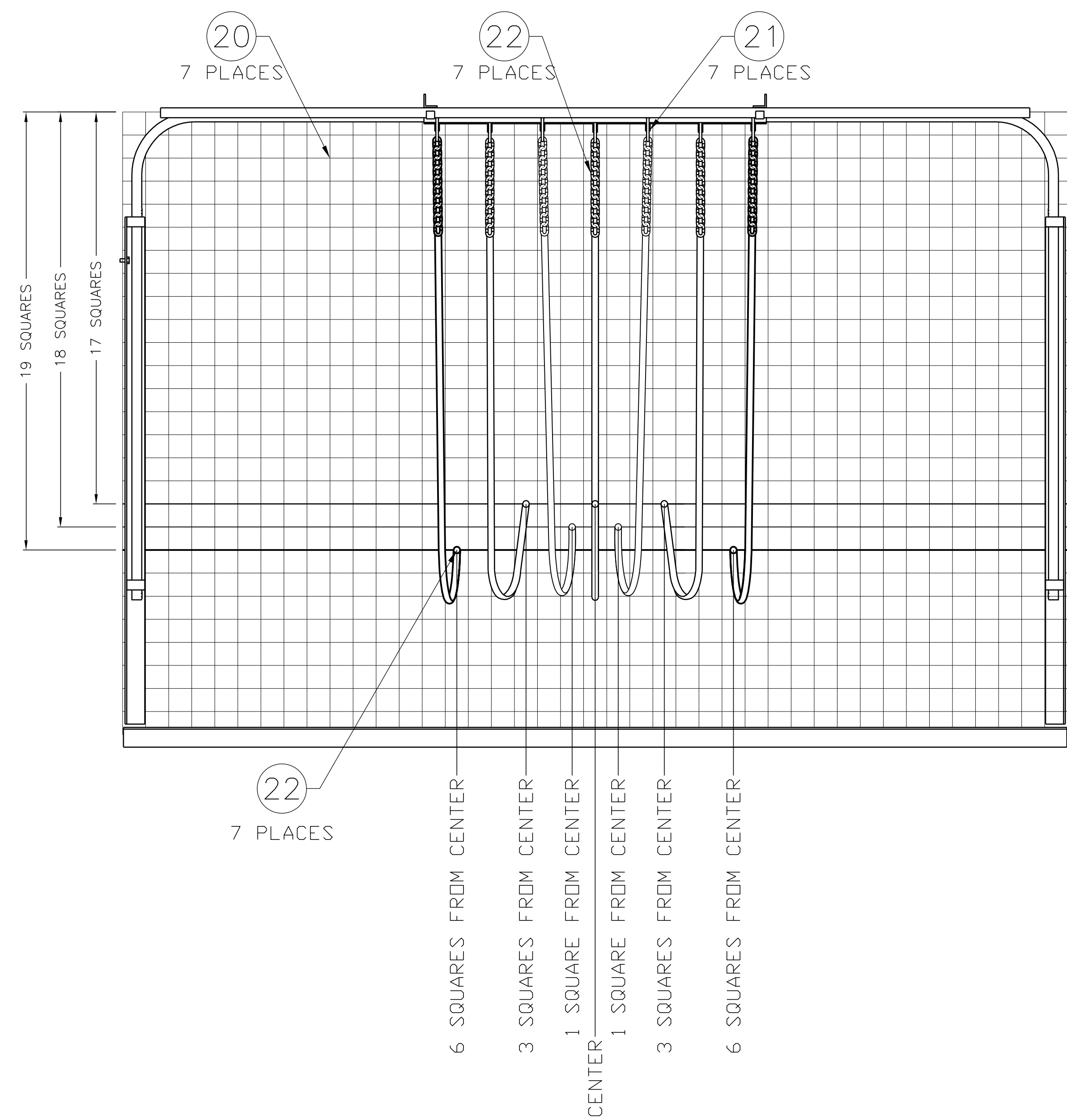
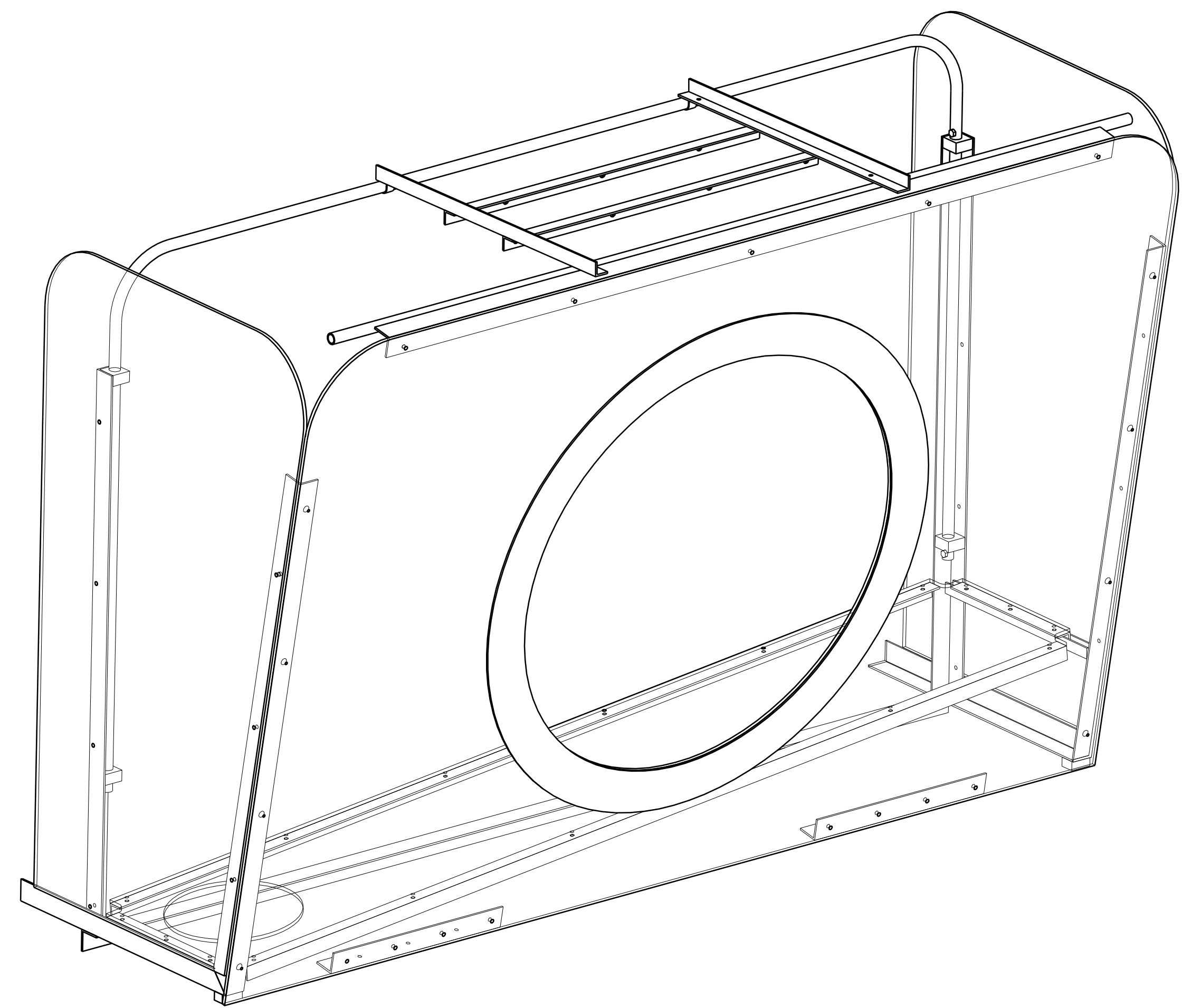


REVISIONS				
ZONE	REV	DESCRIPTION	DATE	APPROVED

ITEM	QTY.	DESCRIPTION	LENGTH	PART NO.
20	AR	NET, #21 1¼"x1¼" (DIAMONDWEAVE)	.	-
21	14	OVAL THREAD CONNECTOR (MCMASTER)	.	8947T115
22	AR	CHAIN, TWIST BLUKROME (COOPER)	.	0722527



CHAIN LENGTH (44" ±)



UNLESS OTHERWISE SPECIFIED		TITLE		MATERIAL	
TOLERANCE	PERPENDICULAR WITHIN	2006 CENTER GOAL		AS NOTED	
INCHES	PARALLEL	CHAIN INSTALLATION			
FRAC 1/8	FLAT OR STRAIGHT	DRAWN BY	DATE	SCALE	CHECKED
.001	CONCENTRIC T.I.R.	JRR	12/12/05	NONE	
.000	RADII : 1/2	SIZE	D	No. 2F 511	SHEET NO.
.0000	HOLES : 1/2				1
	FSCM				

FIRST

200 Bedford Street, Manchester, N.H. 03101
(603) 666-3906 • FAX (603) 666-3907