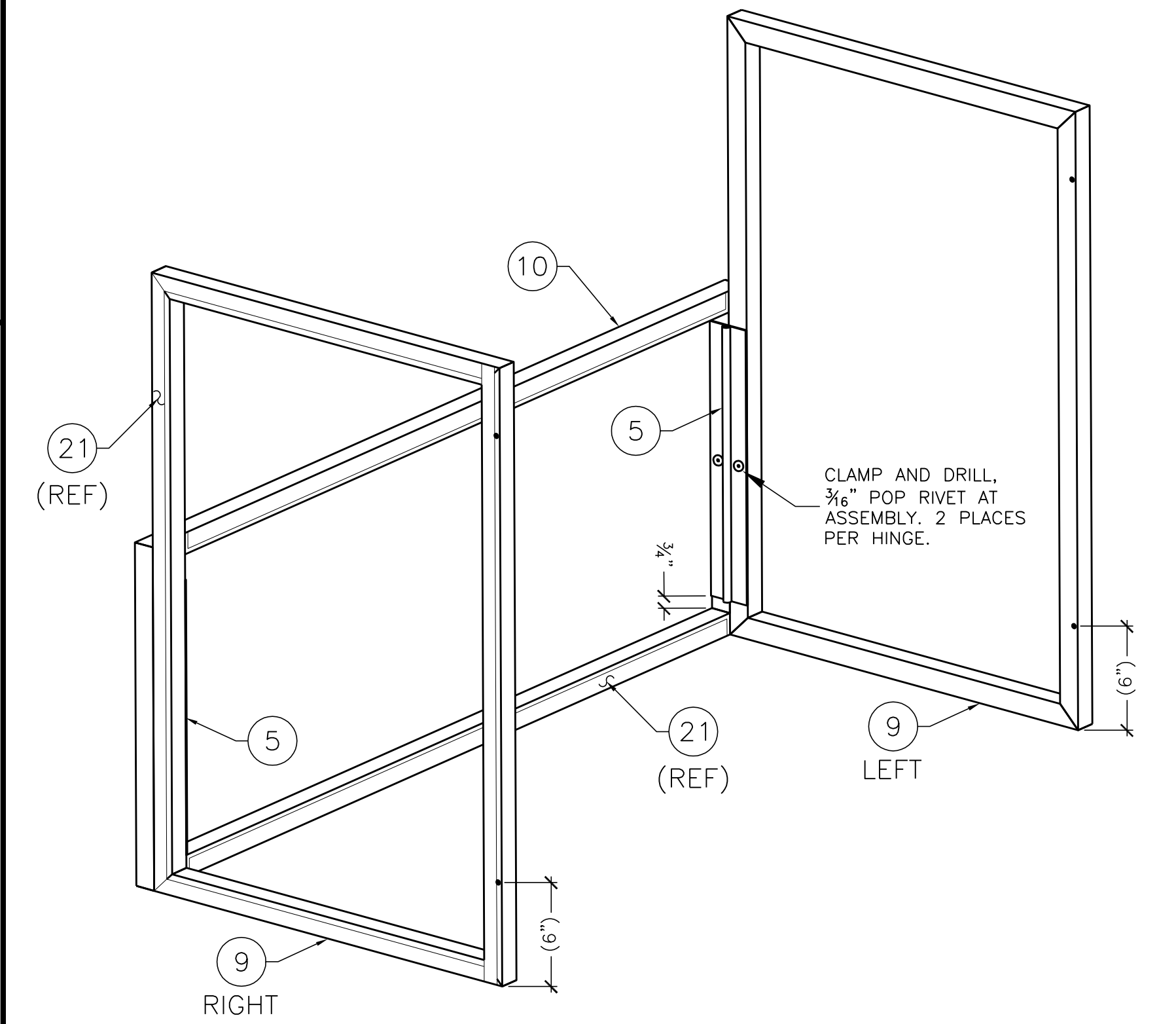


REVISIONS				
ZONE	REV	DESCRIPTION	DATE	APPROVED

ITEM	QTY.	DESCRIPTION	LENGTH	PART NO.
1	2	SIDE FRAME, SHORT RAIL	.	2F-101-01
2	1	SIDE FRAME, HINGE RAIL	.	2F-101-02
3	1	SIDE RAIL, LONG RAIL	.	2F-101-03
4	2	SIDE PLATE	.	2F-101-04
5	2	HINGE	.	2F-101-05
6	2	BACK FRAME, LONG RAIL	.	2F-101-06
7	2	BACK FRAME, SHORT RAIL	.	2F-101-07
8	1	BACK PLATE	.	2F-101-08
9	2	SIDE FRAME	.	2F-101-09
10	1	BACK FRAME	.	2F-101-10
20	AR	POLYCARBONATE SHEET 1/8"	.	-
21	AR	VELCRO, 1" HOOK	.	-
22	AR	VELCRO, 1" LOOP	.	-
23	AR	1 1/2"x1 1/2"x3/8" 6061 ALUMINUM TUBING	.	-
24.	AR	HINGE, ALUMINUM	.	-



NOTE:
REMOVE ALL SHARP EDGES.

1 PER MARK-UPS		JR	1/5	TITLE		MATERIAL	
REV	FROM	BY	DATE	2006 BALL CORRAL FABRICATION & ASSY		AS NOTED	
UNLESS OTHERWISE SPECIFIED				DRAWN BY		DATE	SCALE
TOLERANCE PERPENDICULAR WITHIN				JRR	01/11/06	NA	CHECKED
INCHES				DATE		DATE	
PARALLEL				01/11/06		NA	
FRAC 1/32				NO. 2F-101		SHEET NO.	
FLAT OR STRAIGHT				D		1	
CONCENTRIC T.I.R.				No. 2F-101		1	
.00 1/2							
.000 1/2							
.0000 1/2							
RADI							
HOLES							
FSCM							