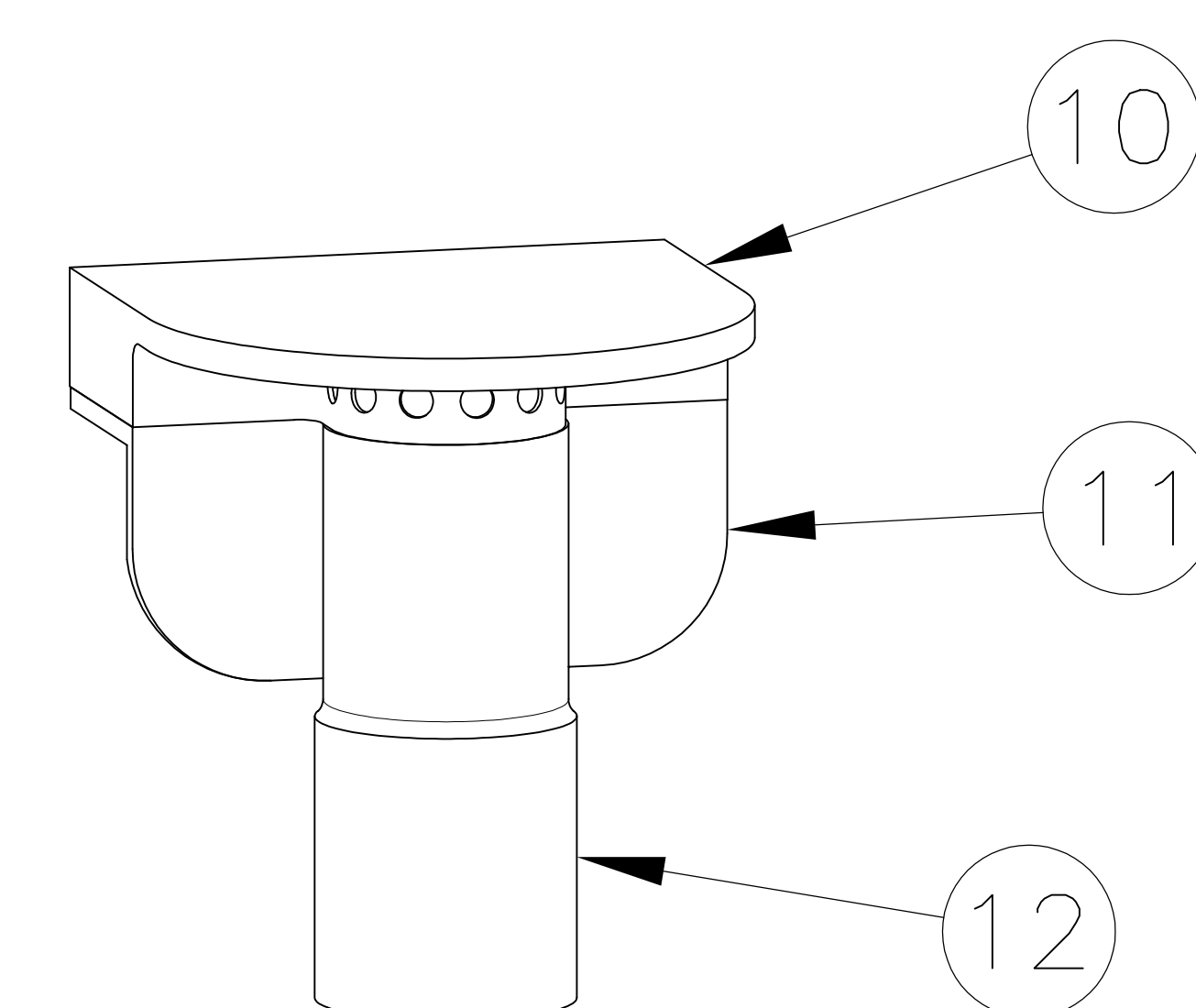
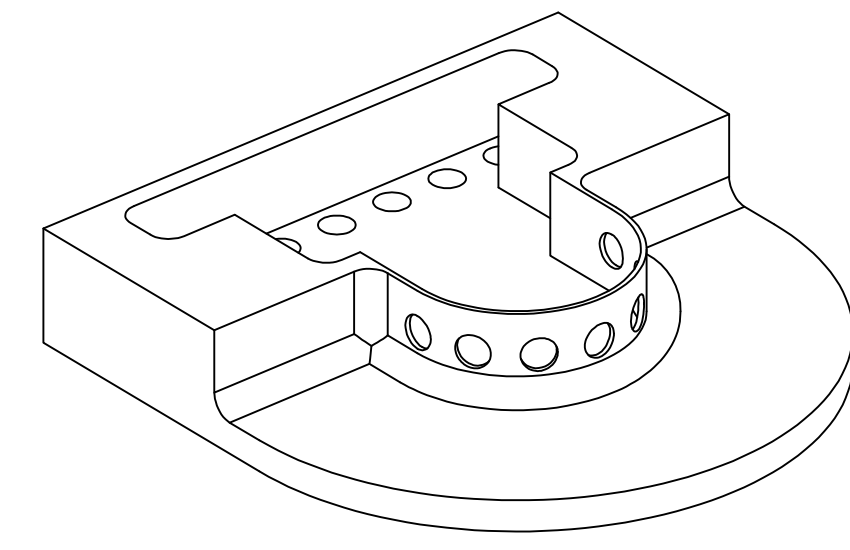
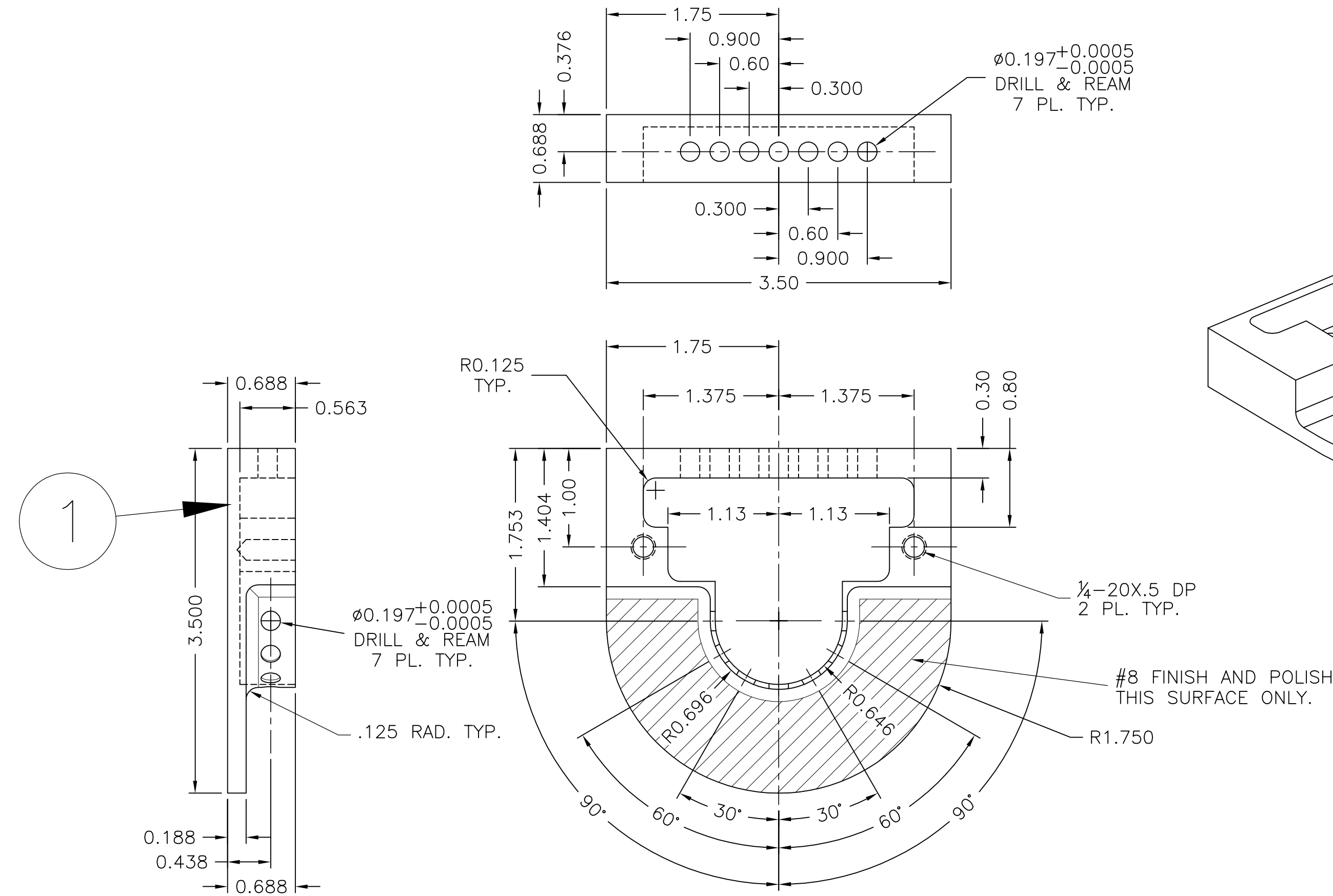
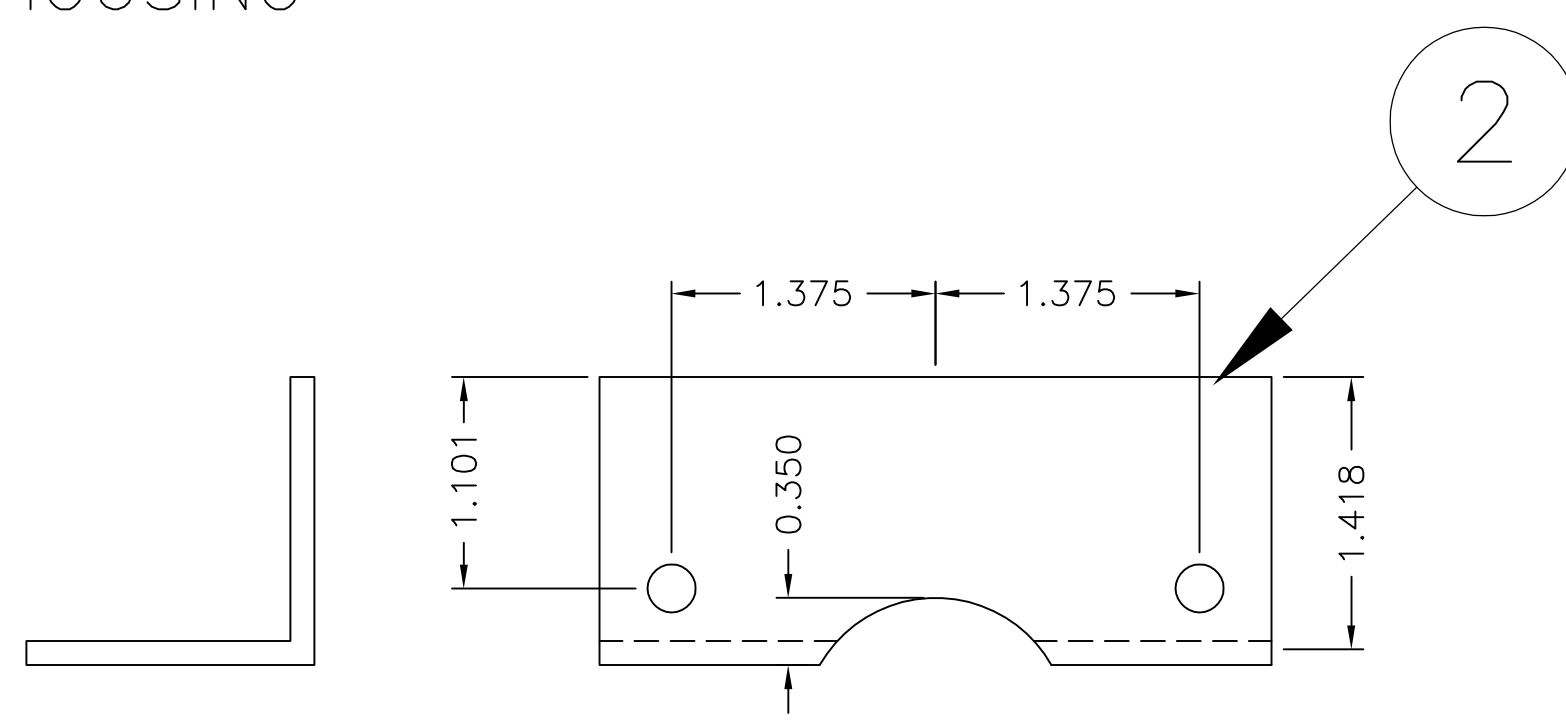


ITEM	QTY.	DESCRIPTION	LENGTH	REMARKS
1	AR	ALUMINUM	.	-
2	AR	ALUM ANGLE, 1.5x1.5x $\frac{1}{8}$ "	.	-
3	AR	ALUM TUBING, 1.5" OD x .25" WALL	.	-
10	1	HOUSING	.	PER ASSEMBLY
11	1	MOUNT	.	PER ASSEMBLY
12	1	PEDESTAL	.	PER ASSEMBLY
13	2	HEX HEAD BOLE, 1/4-20x.5"	.	PER ASSEMBLY
14	2	WASHER, $\frac{1}{4}$ " SPLIT-LOCK	.	PER ASSEMBLY

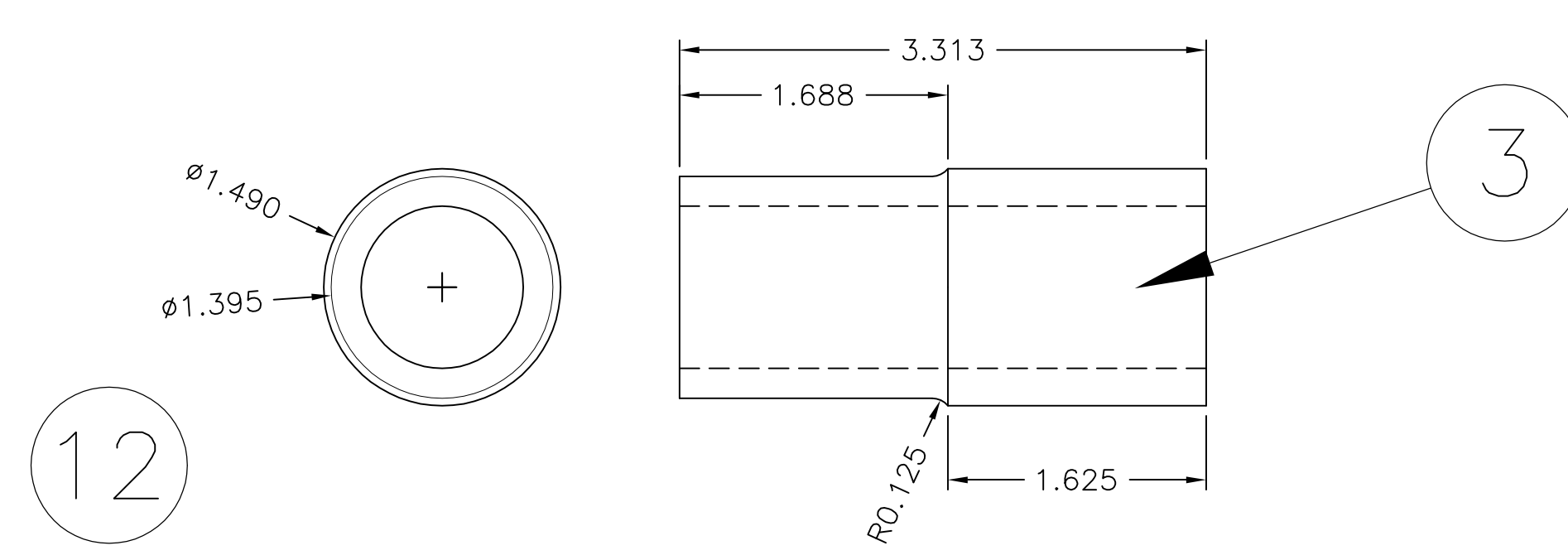


10 HOUSING

BEACON ASSEMBLY



11 MOUNT



12 PEDESTAL

REMOVE ALL SHARP EDGES.

**FIRST**  
200 Bedford Street, Manchester, N.H. 03101  
(603) 666-3906 • FAX (603) 666-3907

ENGINEER	DATE	TITLE		
DRAWN	DATE			
JRR	1/19/04			
CHECKED	DATE			
APPROVED	DATE	SIZE	CLASS. ID.	DRAWING NO.
ISSUED	DATE	D	S	
		SCALE	1:1	SHEET 1 of 1

2004 FIELD ELEMENTS  
BEACON ASSEMBLY