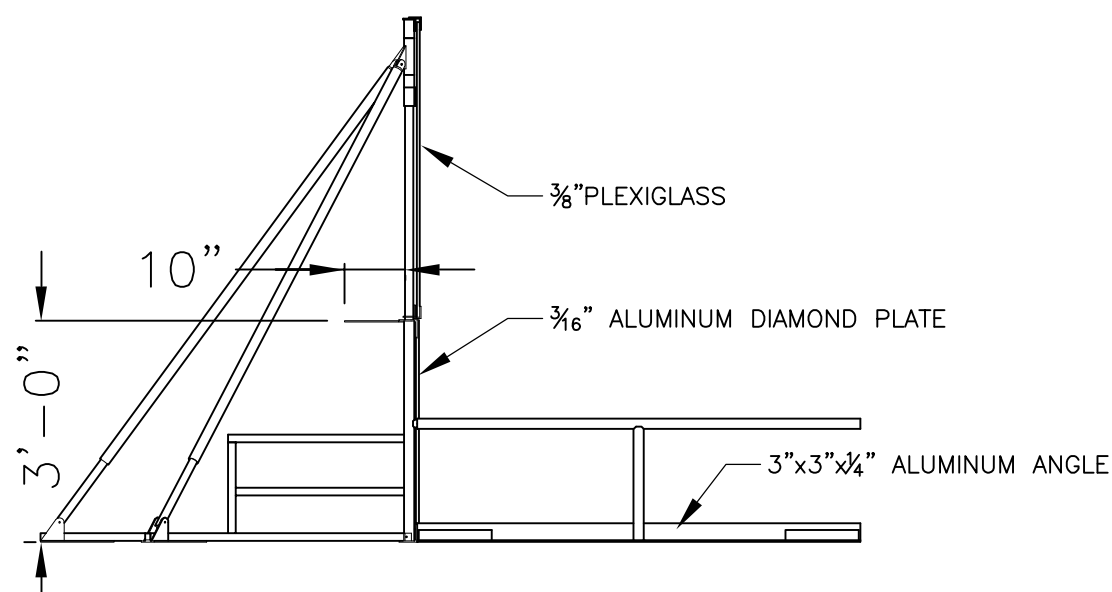


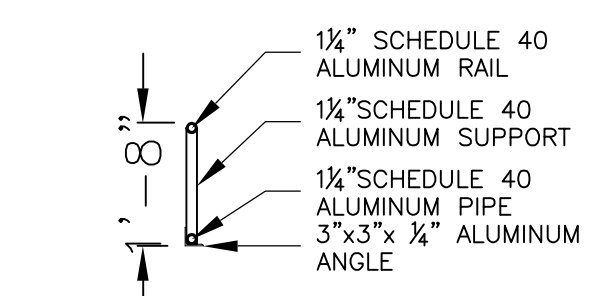
END WALL DRIVERS END VIEW
(BALL RELEASE NOT SHOWN)

BLUE ALLIANCE STATION

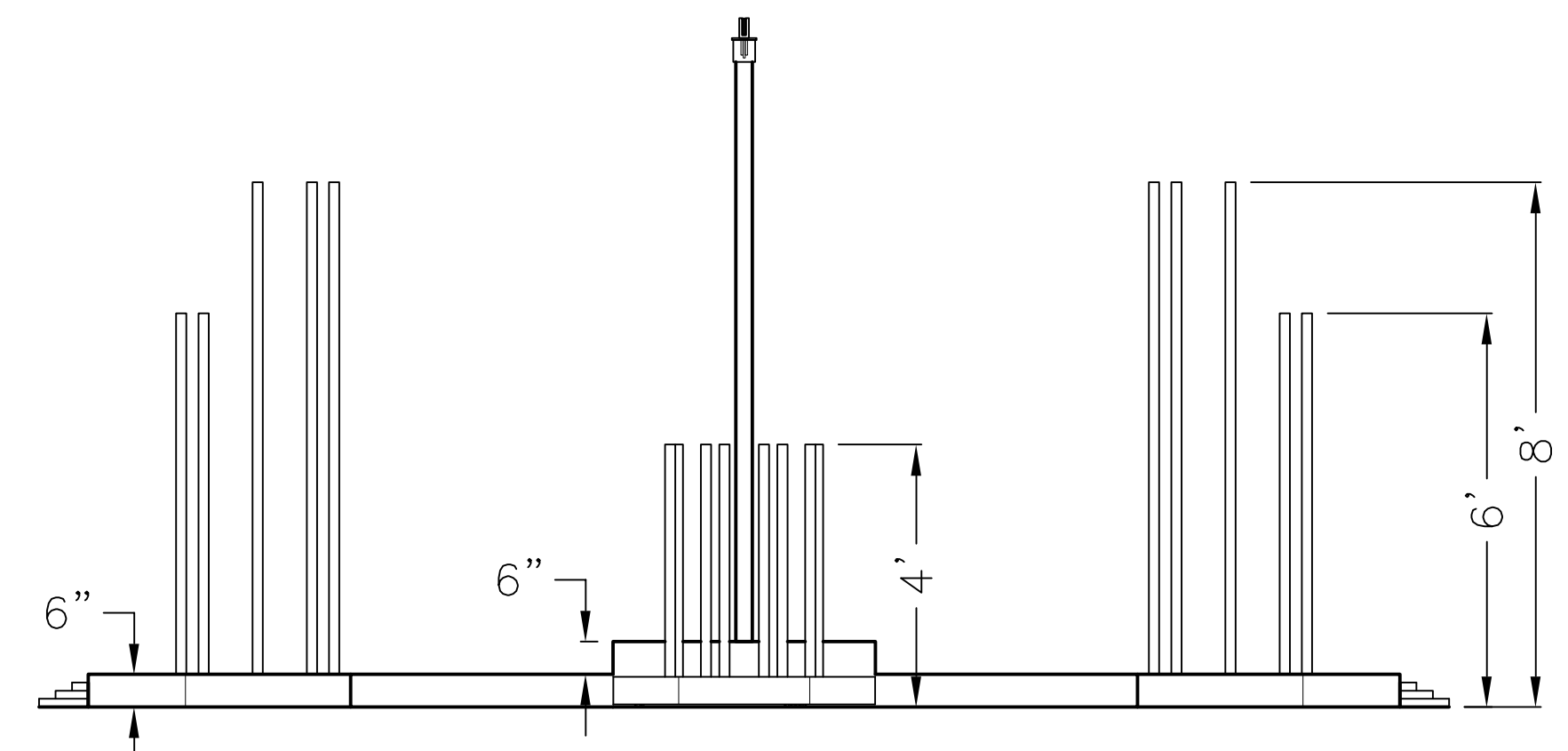
RED ALLIANCE STATION



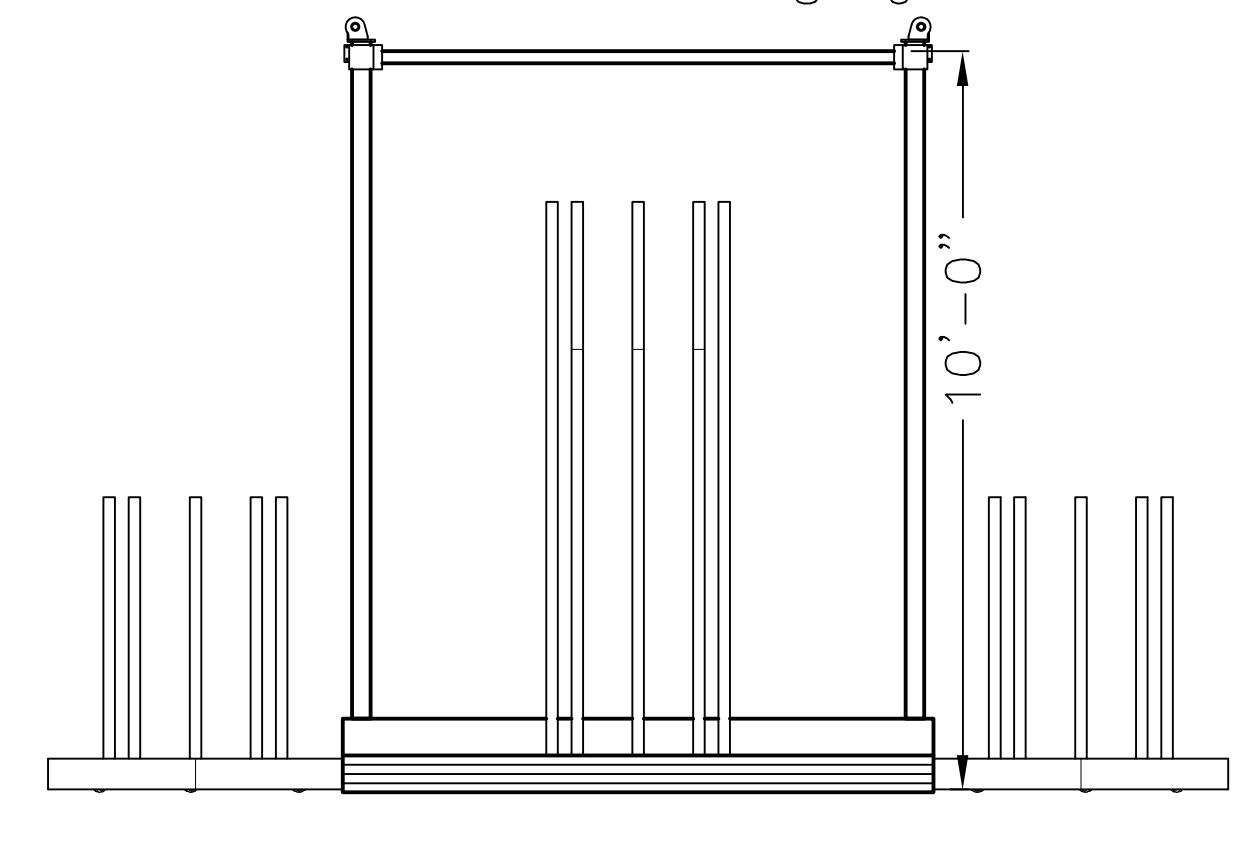
END WALL SIDE VIEW
(BALL RELEASE NOT SHOWN)



SIDE RAIL SECTION



CENTER STRUCTURE SIDE VIEW



CENTER STRUCTURE END VIEW

FIRST
200 Bedford Street, Manchester, N.H. 03101
(603) 666-3906 • FAX (603) 666-3907

ENGINEER	DATE	TITLE		
DRAWN	DATE	1/03/04	2004 FIELD LAYOUT AND MARKING	
JRR	DATE			
CHECKED	DATE			REV.
APPROVED	DATE	SIZE	CLASS ID.	DRAWING NO.
ISSUED	DATE	D	FAS	D04-0007-01-01
		SCALE	NA	SHEET 1 of 1