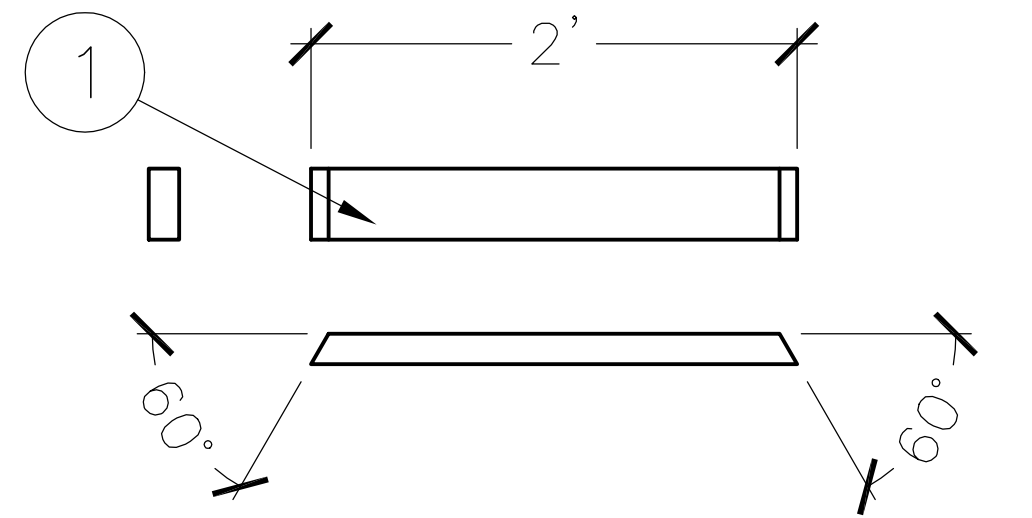
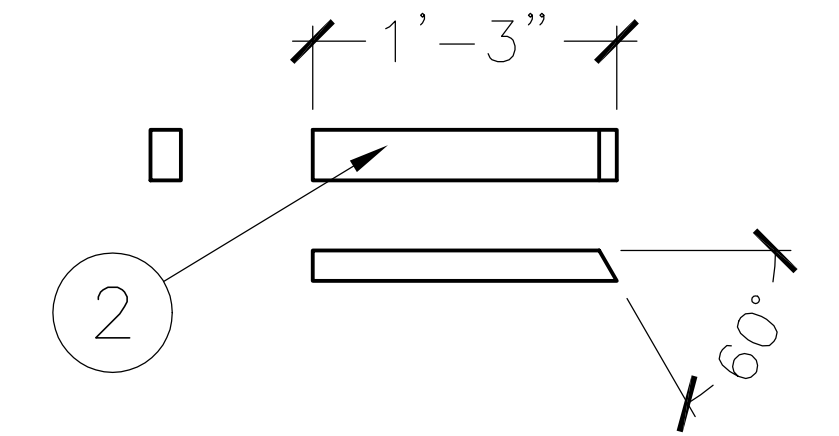


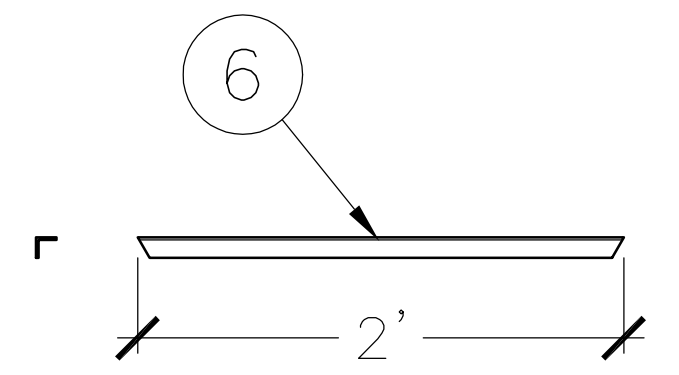
ITEM	QTY.	DESCRIPTION	LENGTH	REMARKS
1	2	2x4x8' SPF LUMBER	.	-
2	1	2x3x8' SPF LUMBER	.	-
3	1	4'x8'x1/2" PLYWOOD	.	-
4	8	1 1/2" SCHEDULE 40 PVC PIPE	AR	48" FM FLOOR
5	3	CASTER, TCH 3.5"	.	-
6	6	1x1x1/8" STEEL ANGLE	24"	-
7	-	2 1/2" DECK SCREWS	.	2 LBS.
8	-	1 1/4" DECK SCREWS	.	1 LBS.



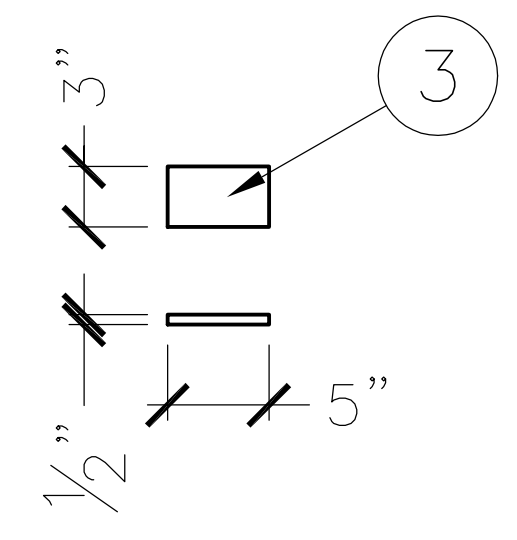
OUTER FRAME CUTS



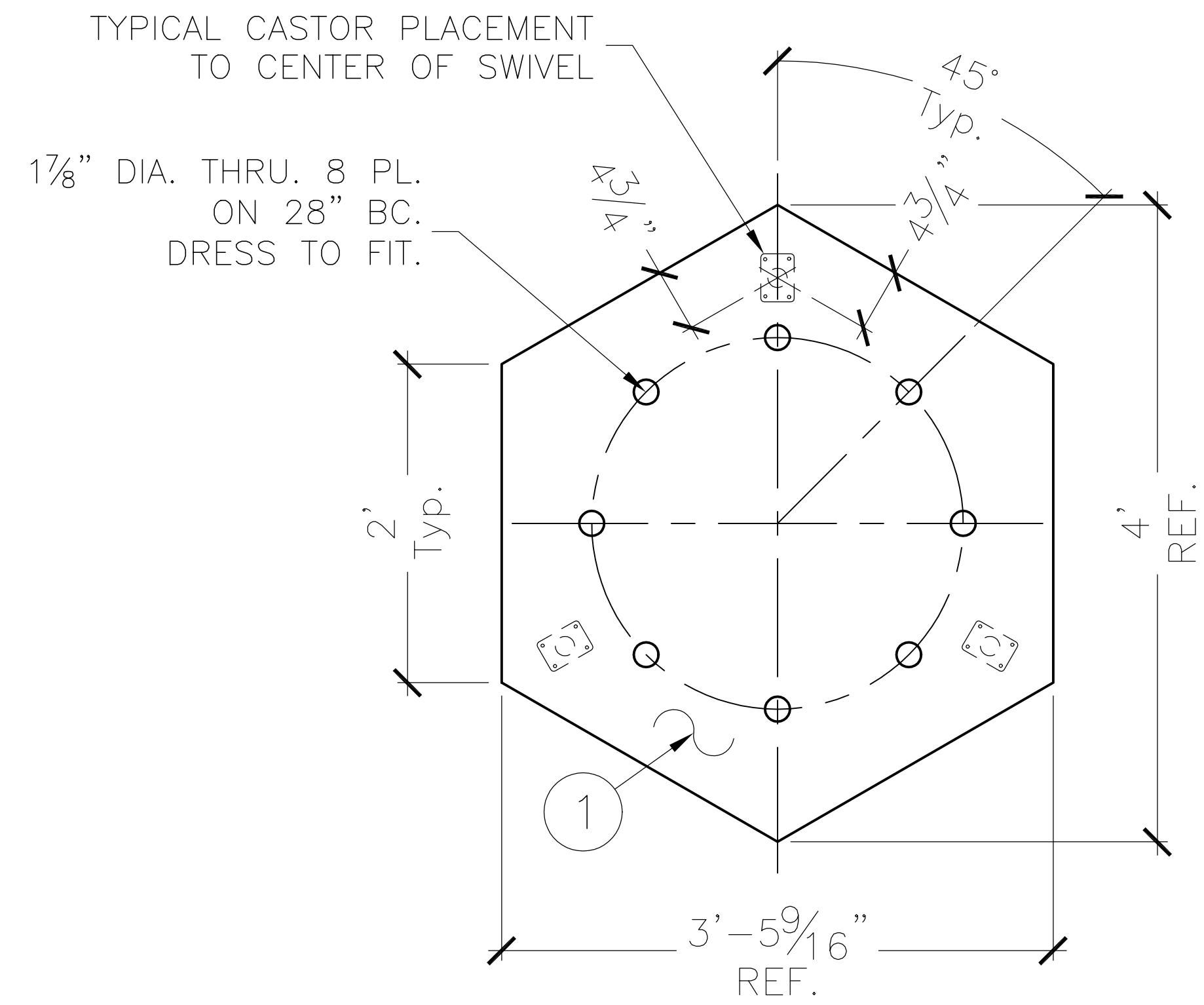
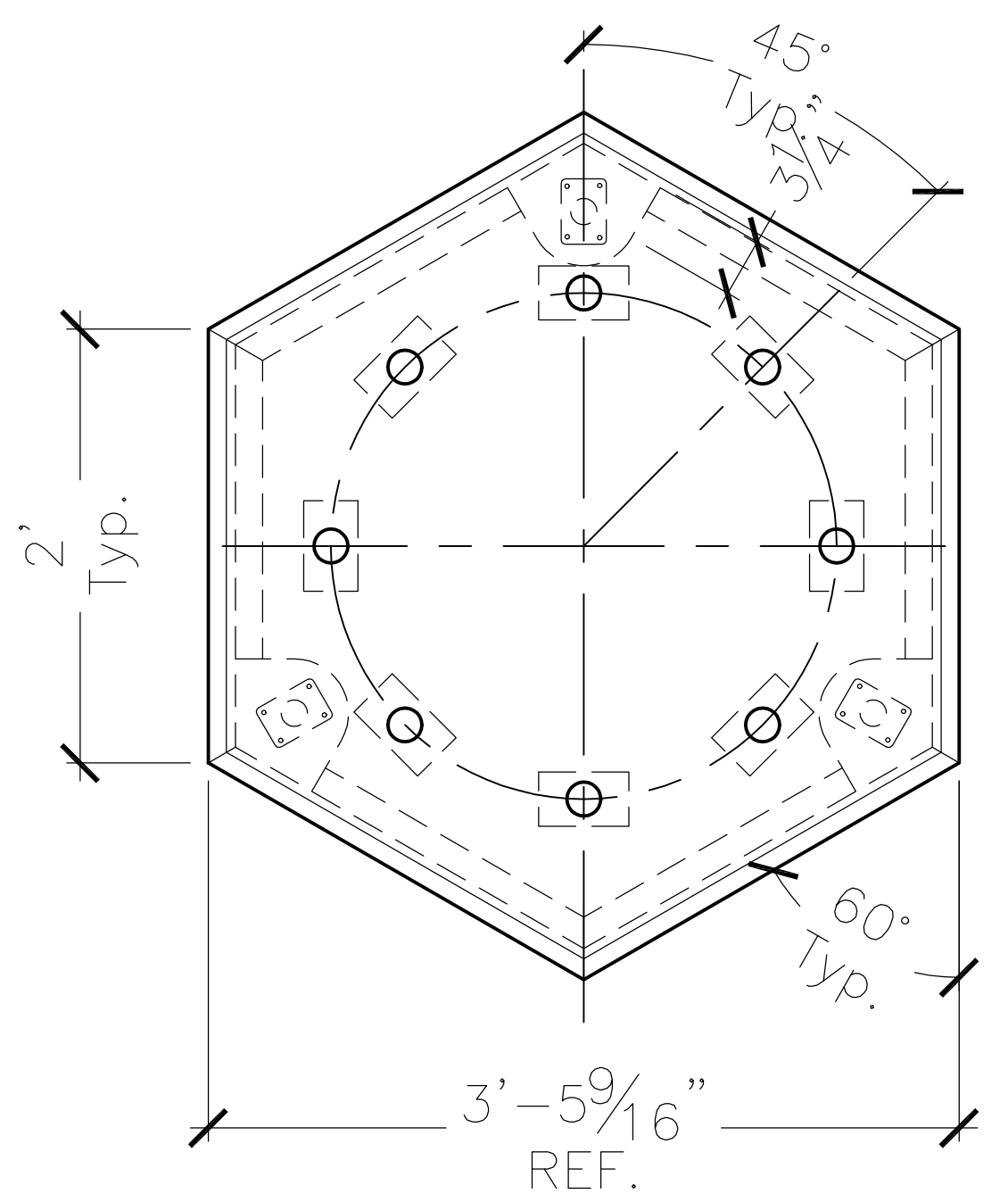
INNER FRAME CUTS



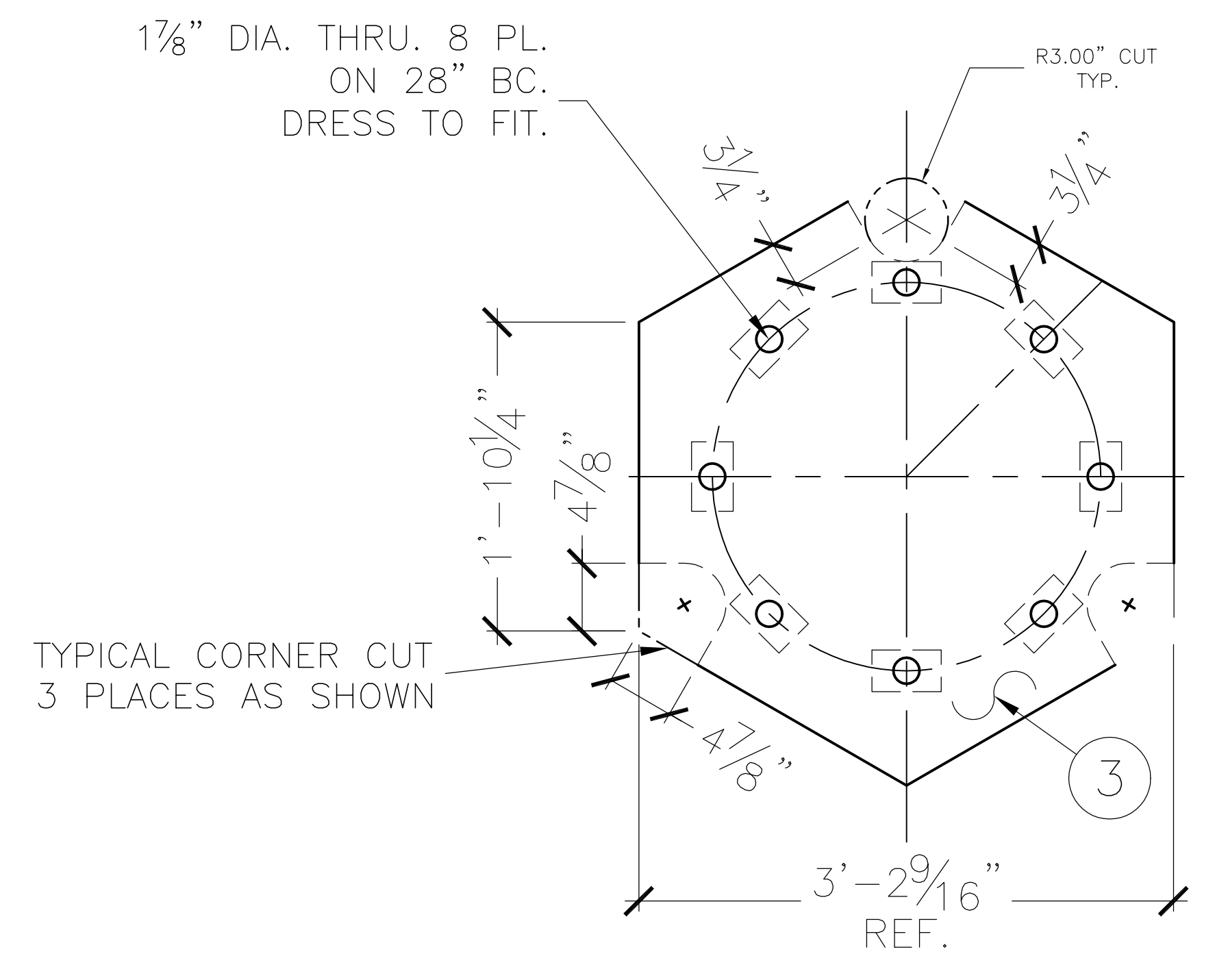
STEEL EDGING



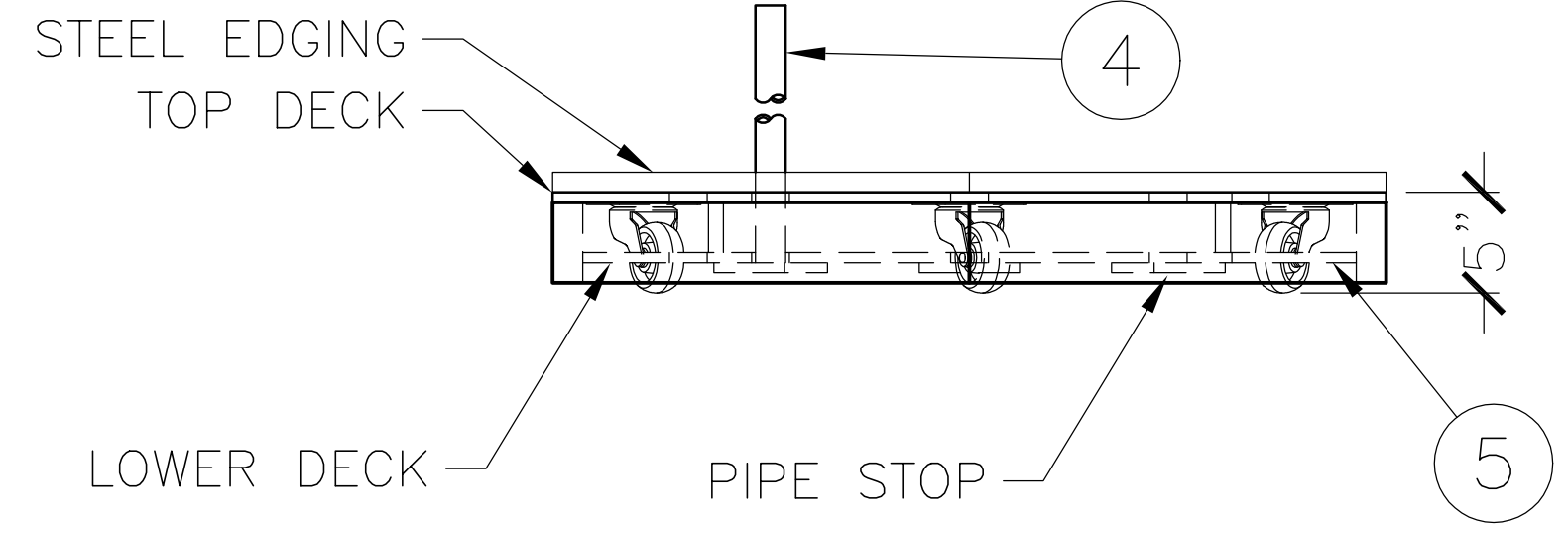
PIPE STOP



TOP DECK



LOWER DECK



FIRST
200 Bedford Street, Manchester, N.H. 03101
(603) 666-3906 • FAX (603) 666-3907

ENGINEER	DATE	TITLE		
DRAWN	DATE	2004 FIELD ELEMENTS MOVEABLE GOAL		
JRR	12/18/03			
CHECKED	DATE			
APPROVED	DATE	SIZE CLASS ID.	DRAWING NO.	REV.
ISSUED	DATE	D FAS		-
		SCALE NA		

SHEET 1 of 1