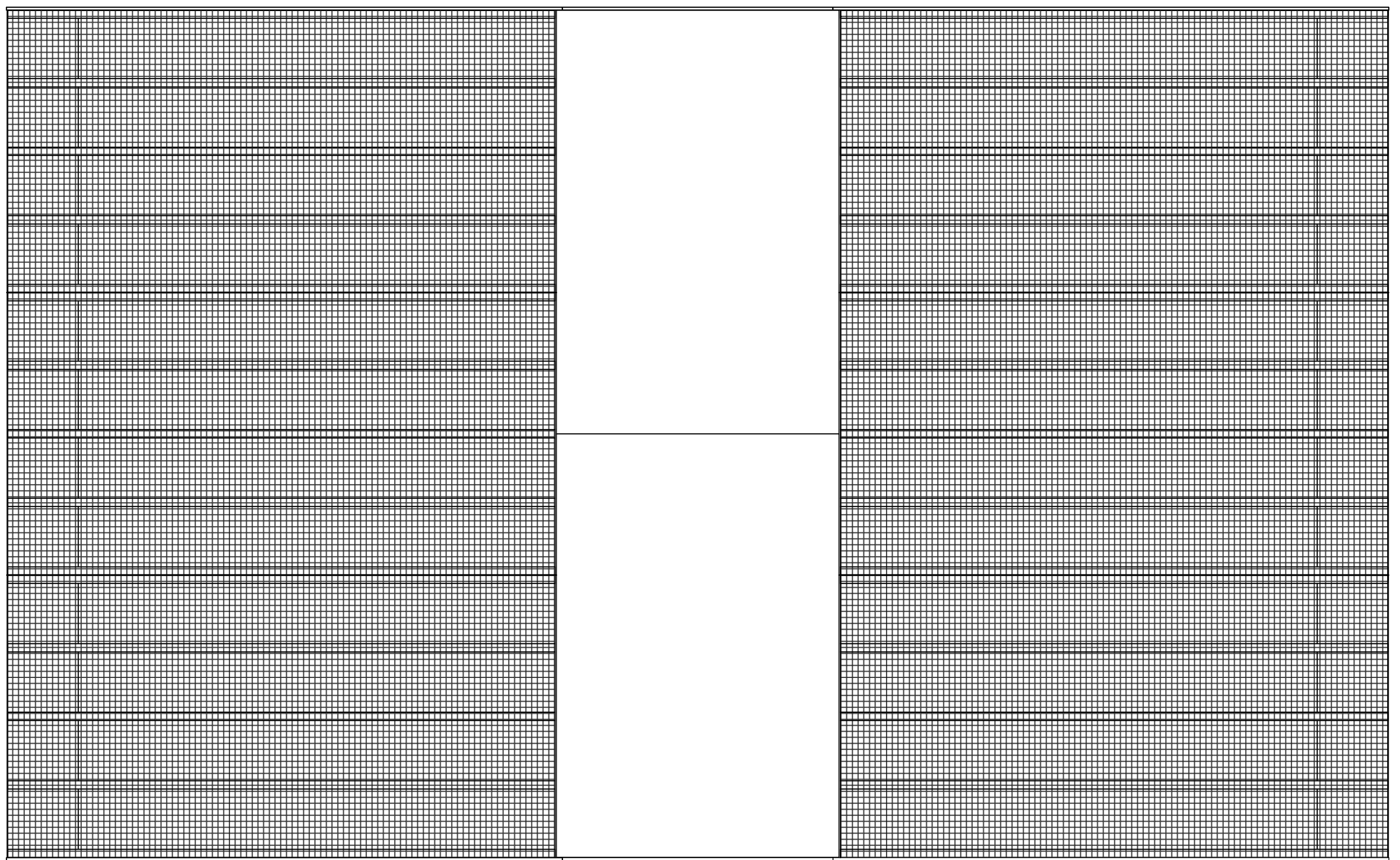
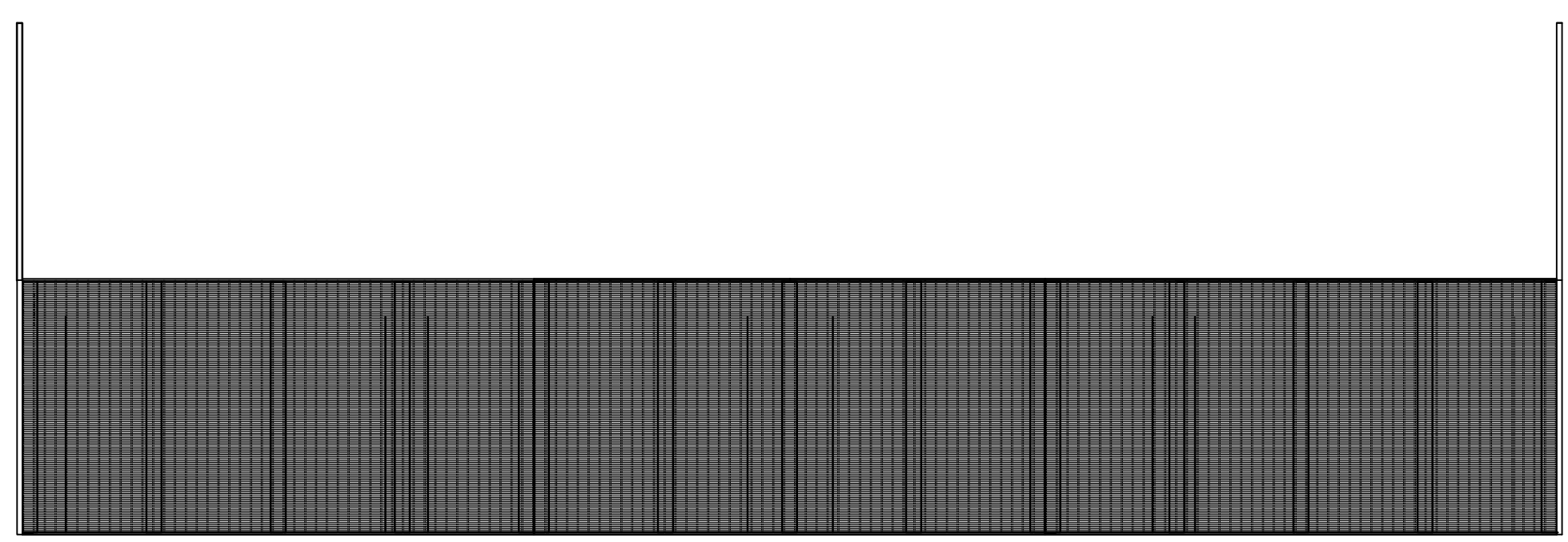
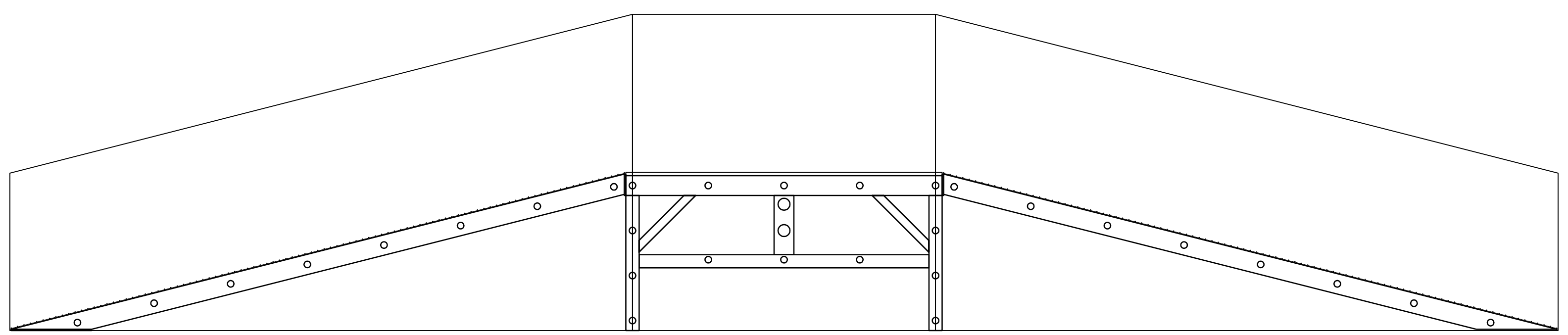


REVISIONS			
REV.	DESCRIPTION	DATE	APPROVED



ENGINEER	DATE	TITLE	
RON RIOUX	12/02	2003 FIELD COMPONENTS RAMP	
DRAWN	DATE		
JRR	01/17/03		
CHECKED	DATE		
APPROVED	DATE	SIZE CLASS ID.	DRAWING NO.
		D AS	D01-0004
ISSUED	DATE	SCALE	SHEET 1 of 5
		NA	

FIRST
 200 Bedford Street, Manchester, N.H. 03101
 (603) 666-3906 • FAX (603) 666-3907

