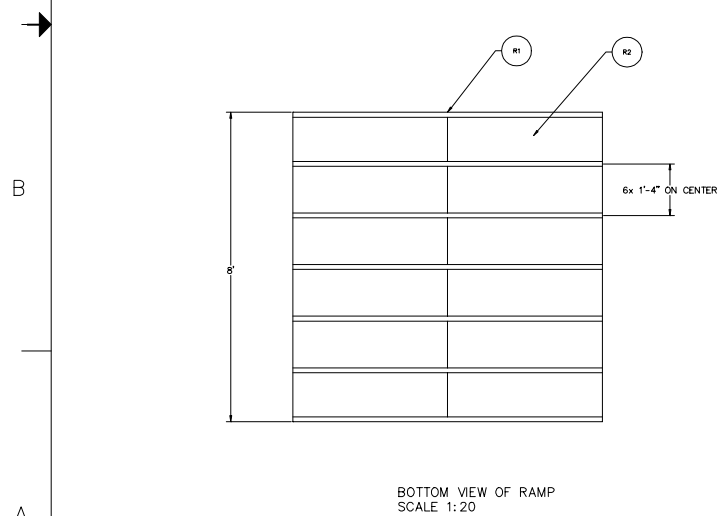
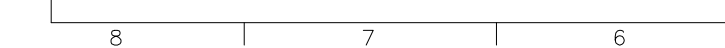


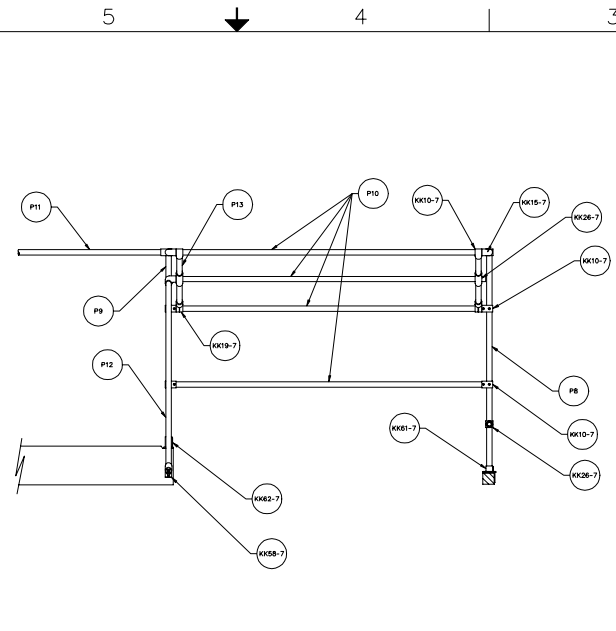
GOAL SECTION A-A  
SCALE 1:20



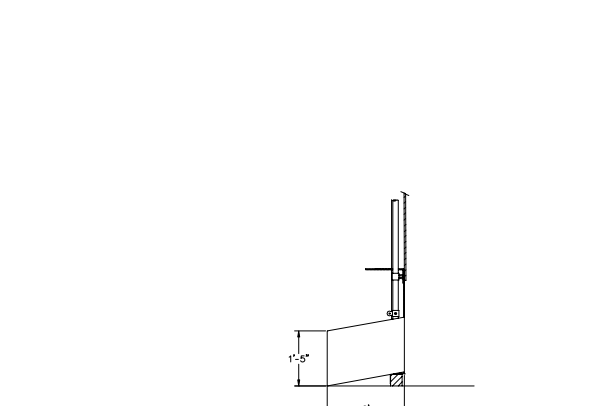
GOAL SECTION B-B  
SCALE 1:20  
ROTATED 90°



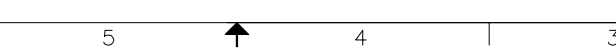
BOTTOM VIEW OF RAMP  
SCALE 1:20



BALL CHUTE SECTION C-C  
SCALE 1:20



DWG NO. 00-FLD-0001-D



Sheet 2 of 2

2000 Field Components

Line #	Assembly	Part #	Description	# Req.	Material	Length
1	Goal	P10	outer goal upright	2	1-1/4" Ø Schedule 40 Aluminum pipe	69"
2	Goal	P9	inner goal upright	2	1-1/4" Ø Schedule 40 Steel pipe	61"
3	Goal	P18	horizontal goal bar	12	1-1/4" Ø Schedule 40 Aluminum pipe	96"
4	Goal	P11	center-connecting bar	1	1-1/4" Ø Schedule 40 Steel pipe	91"
5	Goal	P12	diagonal brace	4	1-1/4" Ø Schedule 40 Aluminum pipe	62"
6	Goal	P13	diagonal connector bar	16	1-1/4" Ø Schedule 40 Aluminum pipe	91 1/2"
7	Goal	P14	horizontal connector bar	8	1-1/4" Ø Schedule 40 Aluminum pipe	141"
8	Goal	KK10-7	90° butt joint fitting	16	Kee Klamp Tee	
9	Goal	KK15-7	90° elbow fitting	12	Kee Klamp Elbow	
10	Goal	KK19-7	variable angle fitting	4	Kee Klamp Adjustable Side Outlet Tee	
11	Goal	KK26-7	90° joint fitting	12	Kee Klamp Two Socket Cross	
12	Goal	KK35-7	90° three way fitting	2	Kee Klamp Side Outlet Tee	
13	Goal	KK58-7	base flange for P12	4	Kee Klamp Male Base Flange	
14	Goal	KK63-7	base flange for P9	2	Kee Klamp Railing Flange	
15	Goal	KK77-7	plastic plug	8	Kee Klamp Plastic Plug	
16	Ramp	R1	ramp support	7	2x12 KD Pine Lumber	8'
17	Ramp	R2	plywood top	2	sheet 1/2" s/c plywood	4'x8'
18	Ramp	C1	ramp carpet	1	Brassfield 20' black coal	8'x8'
19	Alliance station	P1	barrier upright supports	4	1-1/4" Ø Schedule 40 Aluminum pipe	167"
20	Alliance station	P2	barrier upright	6	1-1/4" Ø Schedule 40 Aluminum pipe	75"
21	Alliance station	P3	divider wall upright	6	1-1/4" Ø Schedule 40 Aluminum pipe	30"
22	Alliance station	P4	divider wall upright	2	1-1/4" Ø Schedule 40 Aluminum pipe	76 3/4"
23	Alliance station	P5	horizontal barrier	8	1-1/4" Ø Schedule 40 Aluminum pipe	467"
24	Alliance station	P15	horizontal barrier	8	1-1/4" Ø Schedule 40 Aluminum pipe	95"
25	Alliance station	B1	field border	6	4x4 Hem-Fir Lumber	96"
26	Alliance station	SS1	safety shield	8	clear acrylic	4'x6'
27	Alliance station	SS2	divider shield	4	clear acrylic	45"x72"
28	Alliance station	DP1	diamond plate barrier	6	3/16" Aluminum sheet	4'x8'
29	Alliance station	BOS	for attaching SS1 to DP1	150	1/4-20x1 1/2" hex head bolt	1 3/4"
30	Alliance station	BOP	for attaching DP1 to B1	48	3/4-11 lag screw	1 3/4"
31	Alliance station	WA1	for attaching SS1 to DP1	150	1/4" ID flat washer	1 3/4"
32	Alliance station	WA2	for attaching DP1 to B1	48	1/2" spacer	
33	Alliance station	NT2	for attaching DP1 to KK70-7	150	1/4-20 nut	
34	Alliance station	BC1	Ball Chute	4	17"x17" opening	324"
35	Alliance station	KK10-7	90° butt joint fitting	4	Kee Klamp Tee	
36	Alliance station	KK14-7	for connecting P7 Pipes	4	Kee Klamp Straight Coupling	
37	Alliance station	KK15-7	90° elbow fitting	10	Kee Klamp Elbow	
38	Alliance station	KK19-7	variable angle fitting	4	Kee Klamp Adjustable Side Outlet Tee	
39	Alliance station	KK26-7	90° joint fitting	6	Kee Klamp Two Socket Cross	
40	Alliance station	KK35-7	90° three way fitting	2	Kee Klamp Side Outlet Tee	
41	Alliance station	KK58-7	for attaching SS2	16	Kee Klamp Male Single Socket	
42	Alliance station	KK58-7	base flange for SS2	8	Kee Klamp Male Base Flange	
43	Alliance station	KK61-7	base flange for P1	6	Kee Klamp Base Flange	
44	Alliance station	KK70-7	for securing DP1	36	Kee Klamp Rail Support	
45	Alliance station	KK77-7	plastic plug	6	Kee Klamp Plastic Plug	
46	Alliance station	T1	Team ID sign	8		
47	field border	B1	field border	18	4x4 Hem-Fir Lumber	96"
48	field border	PL1	corner border joining plates	4	3"x3" angle steel	12"
49	field border	PL2	straight border joining plates	14	3"x3" angle steel	16"
50	field border	BOS	for attaching PL1 & PL2 to B1	72	1/4-20x3 1/2" hex head bolt	3 1/2"
51	field border	WA1	for attaching PL1 & PL2 to B1	72	1/4" ID flat washer	
52	field border	NT1	for attaching PL1 & PL2 to B1	72	1/4-20 tee nut insert	
53	field barrier	P1	barrier upright supports	8	1-1/4" Ø Schedule 40 Aluminum pipe	167"
54	field barrier	P6	side barrier	4	1-1/4" Ø Schedule 40 Aluminum pipe	94"
55	field barrier	P7	center side barrier	4	1-1/4" Ø Schedule 40 Aluminum pipe	93"
56	field barrier	KK61-7	base flange for P1	20	Kee Klamp Fitting	
57	field barrier	KK26-7	90° joint fitting	8	Kee Klamp Two Socket Cross	
58	field barrier	KK77-7	plastic plug	8	Kee Klamp Fitting	
59	field base	C2	playing field carpet	1	Brassfield 20' Pewter	36'x64'

last revised 1/09/00 refer to DWG NO. 00-FLD-0001-D